

Product Overview

AMIS-30421: Motor pre-driver, microstepping stepper, with motor bridge control

For complete documentation, see the data sheet.

The AMIS30421 is a micro stepping stepper motor bridge controller for large current range bipolar applications. The chip interfaces via a SPI interface with an external controller in order to control two external power NMOS H bridges. It has an on chip voltage regulator, current sensing, self adapting PWM controller and pre driver with smart slope control allowing the part to be EMC compliant with industrial and automotive applications. It uses a proprietary PWM algorithm for reliable current control.

Features

- 8 step modes from full step to 64 micro steps
- Programmable slope control

Benefits

- Precise control of a high power stepper motor with extended velocity profile
- Minimizes EMI and provides optimal motor operation

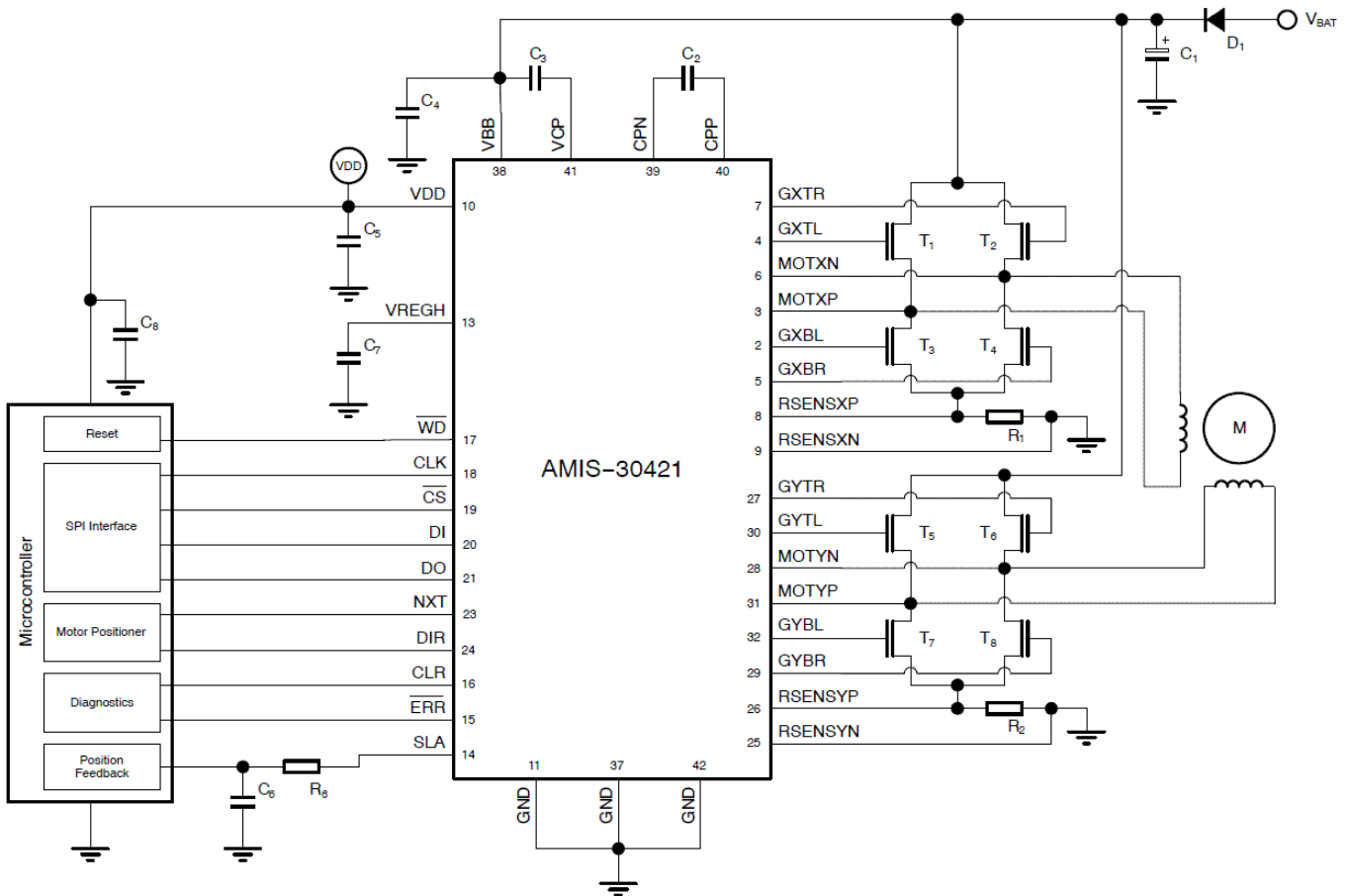
Applications

- High current bipolar stepper motors

End Products

- Textile equipment
- High power actuators
- Industrial and manufacturing equipment

Application Diagram



For more information please contact your local sales support at www.onsemi.com.

Created on: 12/3/2020