

Product Overview

NCP330: Controlled Load Switch, Soft-Start, 3.0 A

For complete documentation, see the data sheet.

The NCP330 is a low Ron N-channel MOSFET controlled by a soft-start sequence of 2 ms for mobile applications. The very low RDS(on) allows system supplying or battery charging up to DC 3A. The device is enable automatically if a Power Supply is connected on Vin pin (active High) and maintained off if no Vin (internal pull down).

Features

- 1.8 V to 5.5 V operating voltage
- 30 mΩ RDS(ON)
- DC current up to 3 A
- Built in soft start
- Reverse voltage protection
- Active high enable pin with integrated bridge

Applications

- Load Management

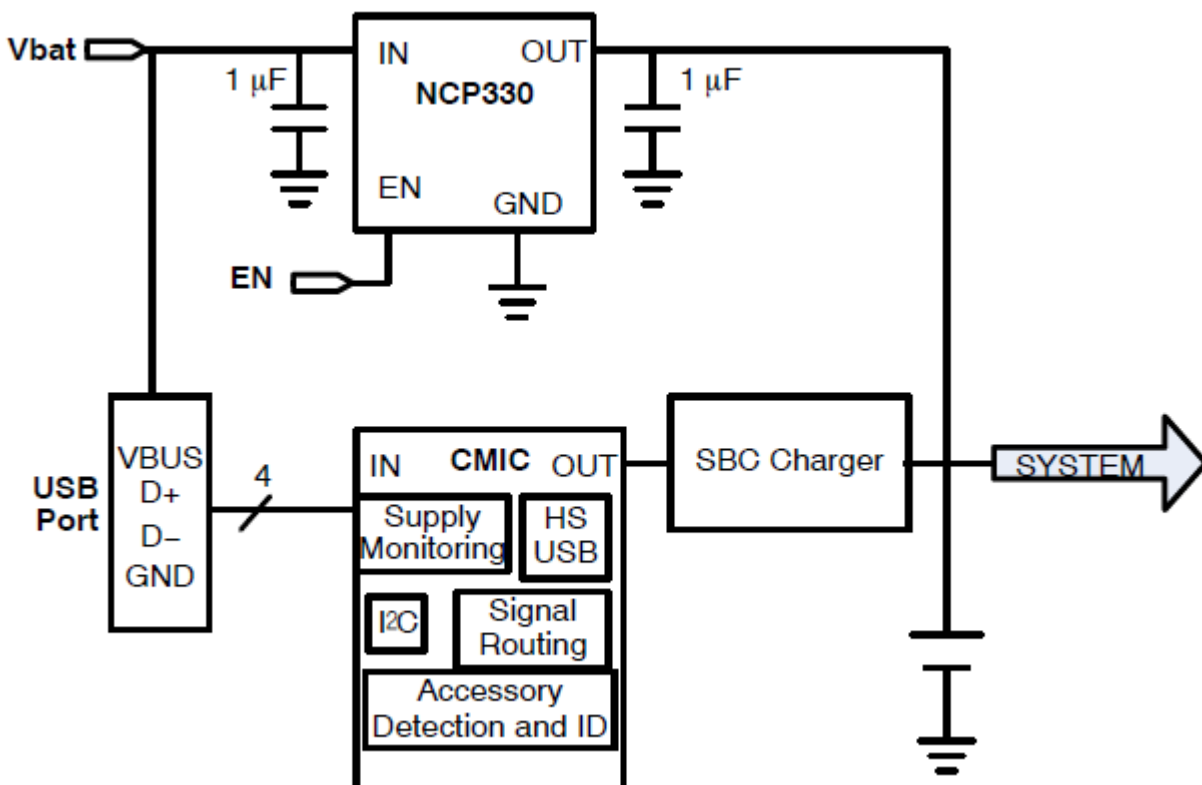
End Products

- Mobile Phones

Part Electrical Specifications

Product	Compliance	Status	Channels	r _{on} (mΩ)	I Max (A)	V _i Min (V)	V _i Max (V)	Package Type
NCP330MUTBG	Pb-free Halide free	Active	1	30	3	1.8	5.5	UDFN-4
NCV330MUTBG	AEC Qualified PPAP Capable Pb-free Halide free	Active	1	30	3	1.8	5.5	UDFN-4

Application Diagram



For more information please contact your local sales support at www.onsemi.com.

Created on: 10/16/2019