

Product Overview

NCV4275C: LDO Regulator, 450 mA, Low Dropout

For complete documentation, see the data sheet.

The NCV4275C is an integrated low dropout regulator designed for use in harsh automotive environments. It includes wide operating temperature and input voltage ranges. The output is regulated at 5.0 V or 3.3 V and is rated to 450 mA of output current. It also provides a number of features, including overcurrent protection, overtemperature protection and a programmable microprocessor reset. The NCV4275C is available in the DPAK and D2PAK surface mount packages. The output is stable over a wide output capacitance and ESR range. The NCV4275C is pin for pin compatible with NCV4275A.

Features

- 5.0 V and 3.3 V, 2% Output Voltage Accuracy with 450 mA Output Current
- 500 mV (max) Dropout Voltage
- Active Reset Output
- Fault Protection
 - +45 V Peak Transient Voltage
 - 42 V Reverse Voltage
 - Short Circuit Protection
 - Thermal Overload Protection
- Very Low Current Consumption
- AEC-Q100 Qualified and PPAP Capable

Benefits

- Can operate with newest microprocessor
- Can operate during cranking at low input voltage
- Integrated control of microprocessor power supply - lower cost and space requirements
- No external components required to enable protections required within any automotive applications

Applications

- Auto Body Electronics

End Products

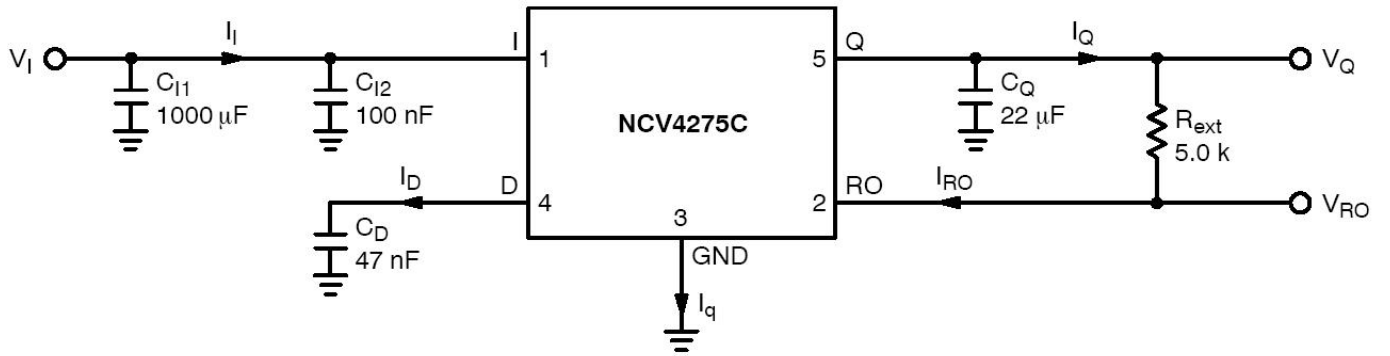
- Automotive

Part Electrical Specifications

Product	Pricing (\$/Unit)	Compliance	Status	Output	Polarity	V _O (V)	I _O Typ (A)	V _I Min (V)	V _I Max (V)	V _{DO} Typ (V)	I _q Typ (mA)	PSR R (dB)	Noise (μV _{rms})	Enable	Power Good	Package Type
NCV4275CDS33R4G	0.5333	AEC Qualified PPAP Capable Pb-free Halide free	Active	Single	Positive	3.3	0.45	4.4	45	0.25	0.15	60	-	No	Yes	D ² PAK-5
NCV4275CDS50R4G	0.5333	AEC Qualified PPAP Capable Pb-free Halide free	Active	Single	Positive	5	0.45	5.5	45	0.25	0.15	60	-	No	Yes	D ² PAK-5
NCV4275CDT33RKG	0.5067	AEC Qualified PPAP Capable Pb-free Halide free	Active	Single	Positive	3.3	0.45	4.4	45	0.25	0.15	60	-	No	Yes	DPAK-5
NCV4275CDT50RKG	0.5067	AEC Qualified PPAP Capable Pb-free Halide free	Active	Single	Positive	5	0.45	5.5	45	0.25	0.15	60	-	No	Yes	DPAK-5

Application Diagram

APPLICATION INFORMATION



For more information please contact your local sales support at www.onsemi.com.

Created on: 8/11/2020