

## Product Overview

### NCP1271: PWM Controller, Soft-Skip™; Standby, with Adjustable Skip Level and External Latch

For complete documentation, see the data sheet.

The NCP1271 represents a new, pin to pin compatible, generation of the successful 7 pin current mode NCP12XX product series. The controller allows for excellent stand by power consumption by use of its adjustable Soft Skip mode and integrated high voltage startup FET. This proprietary Soft Skip also dramatically reduces the risk of acoustic noise. This allows the use of inexpensive transformers and capacitors in the clamping network. Internal frequency jittering, ramp compensation, timer based fault detection and a latch input make this controller an excellent candidate for converters where ruggedness and component cost are the key constraints.

#### Features

- Short Circuit Protection Independent of the Auxiliary Winding
- Adjustable Soft Skip Mode
- Internal High-Voltage Start-up
- 5% Current Limit Accuracy over the Full Temperature Range
- Internal Latch for Easy Implementation of Overvoltage and Overtemperature Protection
- Frequency Jittering for Softened EMI Signature
- +500 mA/800 mA Peak Current Drive Capability

#### Benefits

- Efficient protective circuitry
- Provides improved efficiency at light loads and reduces the acoustic noise
- Clean and loss less start-up sequence and reduces component count

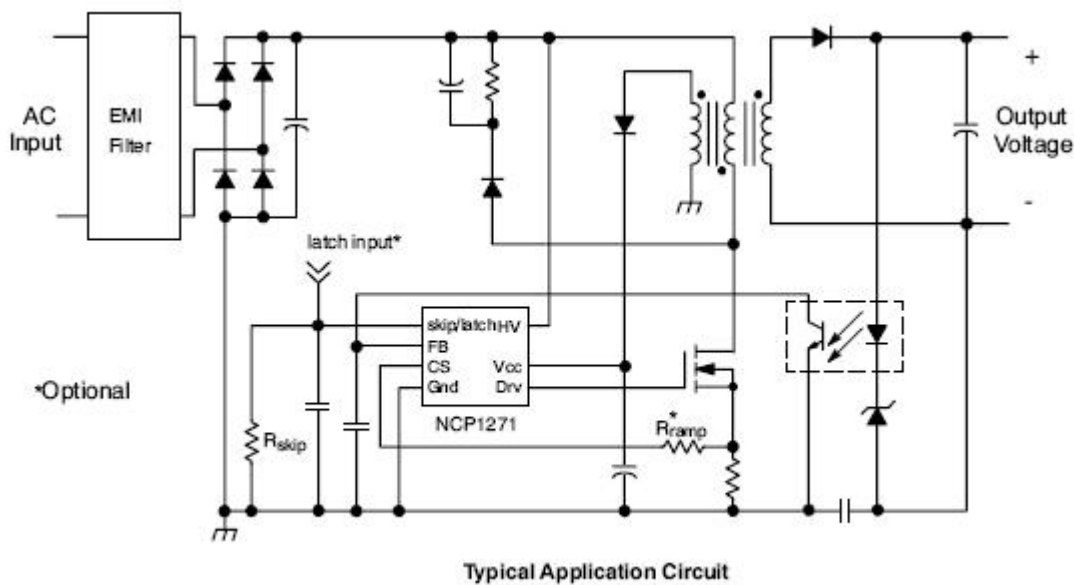
#### Applications

- ACDC Adapters
- Consumer Electronic Power Supplies

#### End Products

- Offline Battery Chargers
- STB, DVD, DVDR
- Notebooks
- LCD Monitors
- Printers

#### Application Diagram



For more information please contact your local sales support at [www.onsemi.com](http://www.onsemi.com).

Created on: 7/28/2021