

UHF Planar Antenna

SPSPRDA2-P

The SPSRDA2-P is an indoor, planar antenna optimized for use with Smart Passive Sensors™. This planar style antenna comes with a RP-SMA jack connector, enabling fast installation times. This antenna is designed to be placed on metal surfaces, making it ideal for applications such as datacenter management and industrial predictive maintenance where other antenna topologies may not be ideal.

This planar antenna functions in both the ETSI (865–868MHz) and FCC (902–928MHz) defined UHF bands. The free-space radiation pattern when mounted on a metal plane will be an off-axis toroid, some placement optimization may be required based on application environment.

Features

- Elliptical Polarization
- Compact Form Factor
- RP-SMA Jack Connector
- ABS Plastic with Foam Mounting Tape

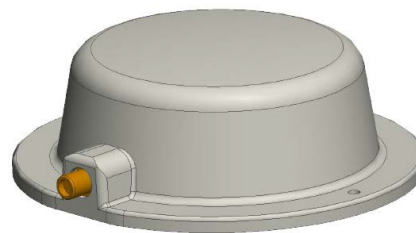
Applications

- Data Centers
- Industrial Predictive Maintenance
- Facilities Management
- Cold-chain Logistics



ON Semiconductor®

www.onsemi.com



ANTENNA-SERVER RACK
CASE 889AA

ORDERING INFORMATION

Device	Package	Shipping
SPSPRDA2-P	Box	Box of 32

Table 1. STANDARD OPERATING CONDITIONS

Parameter	Rating	Unit
Operating Temperature Range	-40 to +85	°C

Table 2. ELECTRICAL CHARACTERISTICS (T_A = 25°C unless otherwise noted)

Parameter	Min	Typ	Max	Unit
Frequency Range	865		928	MHz
Impedance		50		Ω
Peak Gain	4		6	dBi
SWR			2.0	

Product parametric performance is indicated in the Electrical Characteristics for the listed test conditions, unless otherwise noted. Product performance may not be indicated by the Electrical Characteristics if operated under different conditions.

SPSPRDA2-P

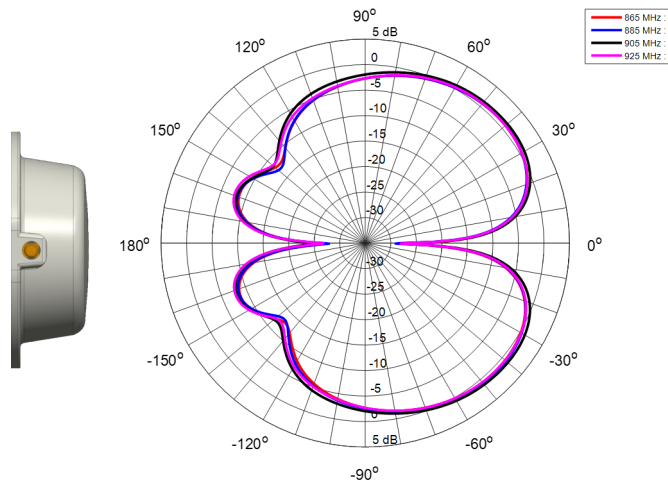


Figure 1. Azimuth Cut, held at $\theta = 90^\circ$: E_{TOTAL} Component

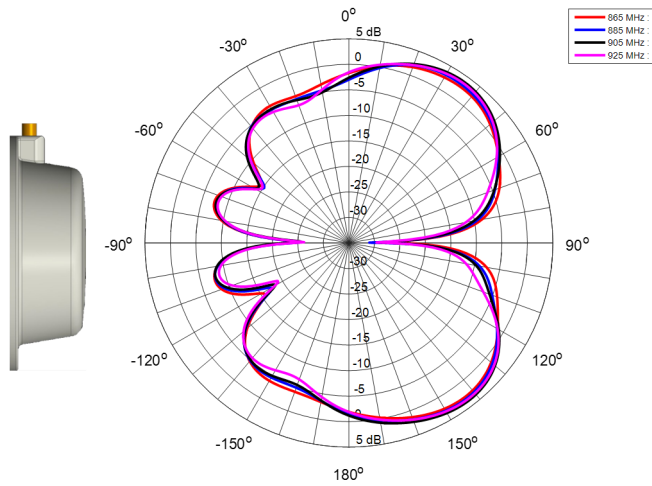


Figure 2. Elevation Cut, back to front: E_{TOTAL} Component

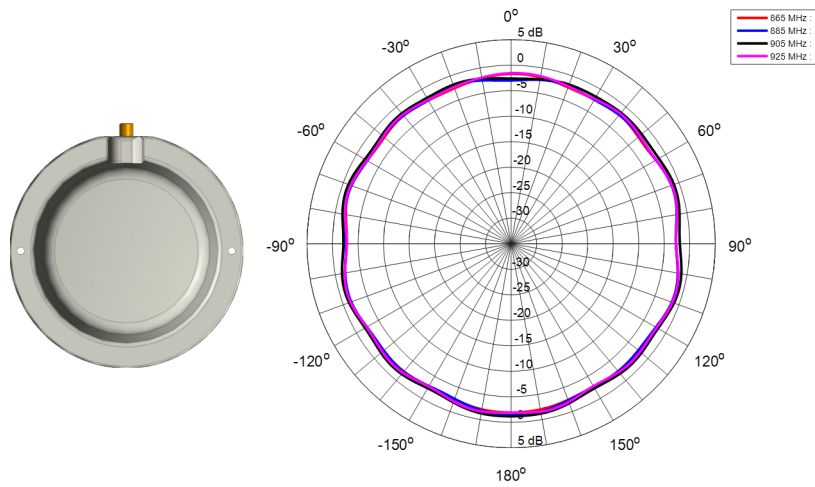
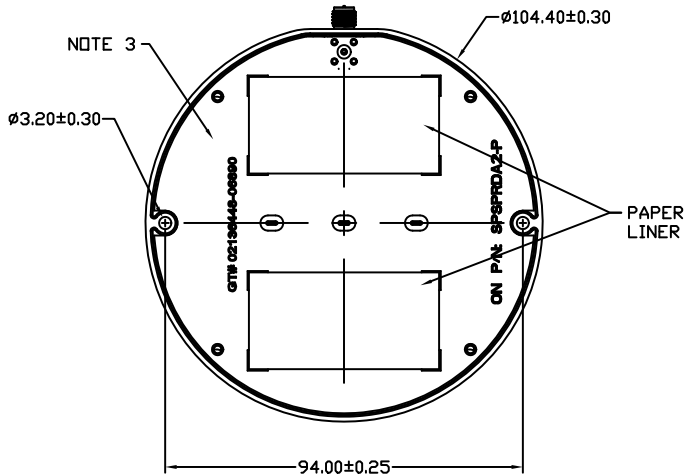
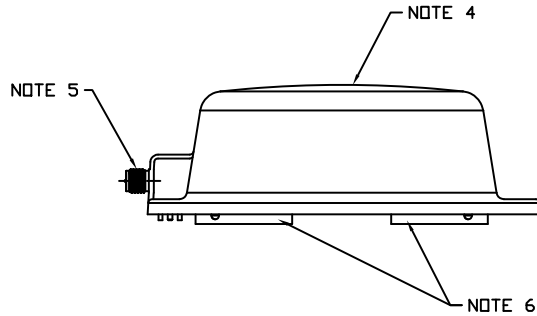
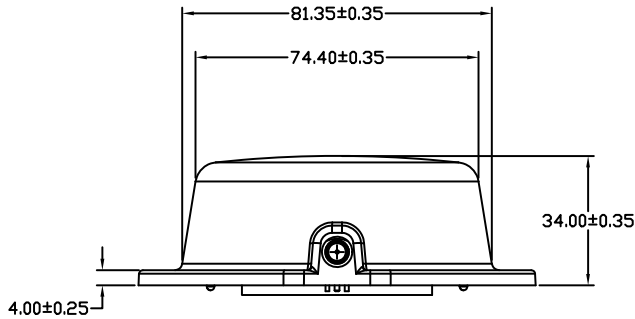


Figure 3. Elevation Cut, side to side: E_{TOTAL} Component

MECHANICAL CASE OUTLINE
PACKAGE DIMENSIONS

ANTENNA-SERVER RACK
CASE 889AA
ISSUE 0


DATE 17 APR 2019



NOTES:

1. DIMENSIONING AND TOLERANCING PER ASME Y14.5M, 1994.
2. CONTROLLING DIMENSION: MILLIMETERS
3. PCB BASE: FR4 MATERIAL
4. RADOME: BLACK POLYCARBONATE MATERIAL
5. CONNECTOR: RP-SMA, FEMALE, GOLD PLATED BRASS BODY
6. FOAM TAPE WITH PAPER LINER

DOCUMENT NUMBER:	98AON06359H	Electronic versions are uncontrolled except when accessed directly from the Document Repository. Printed versions are uncontrolled except when stamped "CONTROLLED COPY" in red.
DESCRIPTION:	ANTENNA-SERVER RACK	PAGE 1 OF 1

ON Semiconductor and  are trademarks of Semiconductor Components Industries, LLC dba ON Semiconductor or its subsidiaries in the United States and/or other countries. ON Semiconductor reserves the right to make changes without further notice to any products herein. ON Semiconductor makes no warranty, representation or guarantee regarding the suitability of its products for any particular purpose, nor does ON Semiconductor assume any liability arising out of the application or use of any product or circuit, and specifically disclaims any and all liability, including without limitation special, consequential or incidental damages. ON Semiconductor does not convey any license under its patent rights nor the rights of others.

ON Semiconductor and  are trademarks of Semiconductor Components Industries, LLC dba ON Semiconductor or its subsidiaries in the United States and/or other countries. ON Semiconductor owns the rights to a number of patents, trademarks, copyrights, trade secrets, and other intellectual property. A listing of ON Semiconductor's product/patent coverage may be accessed at www.onsemi.com/site/pdf/Patent-Marking.pdf. ON Semiconductor reserves the right to make changes without further notice to any products herein. ON Semiconductor makes no warranty, representation or guarantee regarding the suitability of its products for any particular purpose, nor does ON Semiconductor assume any liability arising out of the application or use of any product or circuit, and specifically disclaims any and all liability, including without limitation special, consequential or incidental damages. Buyer is responsible for its products and applications using ON Semiconductor products, including compliance with all laws, regulations and safety requirements or standards, regardless of any support or applications information provided by ON Semiconductor. "Typical" parameters which may be provided in ON Semiconductor data sheets and/or specifications can and do vary in different applications and actual performance may vary over time. All operating parameters, including "Typicals" must be validated for each customer application by customer's technical experts. ON Semiconductor does not convey any license under its patent rights nor the rights of others. ON Semiconductor products are not designed, intended, or authorized for use as a critical component in life support systems or any FDA Class 3 medical devices or medical devices with a same or similar classification in a foreign jurisdiction or any devices intended for implantation in the human body. Should Buyer purchase or use ON Semiconductor products for any such unintended or unauthorized application, Buyer shall indemnify and hold ON Semiconductor and its officers, employees, subsidiaries, affiliates, and distributors harmless against all claims, costs, damages, and expenses, and reasonable attorney fees arising out of, directly or indirectly, any claim of personal injury or death associated with such unintended or unauthorized use, even if such claim alleges that ON Semiconductor was negligent regarding the design or manufacture of the part. ON Semiconductor is an Equal Opportunity/Affirmative Action Employer. This literature is subject to all applicable copyright laws and is not for resale in any manner.

PUBLICATION ORDERING INFORMATION

LITERATURE FULFILLMENT:

Email Requests to: orderlit@onsemi.com

ON Semiconductor Website: www.onsemi.com

TECHNICAL SUPPORT

North American Technical Support:
Voice Mail: 1 800-282-9855 Toll Free USA/Canada
Phone: 011 421 33 790 2910

Europe, Middle East and Africa Technical Support:

Phone: 00421 33 790 2910

For additional information, please contact your local Sales Representative