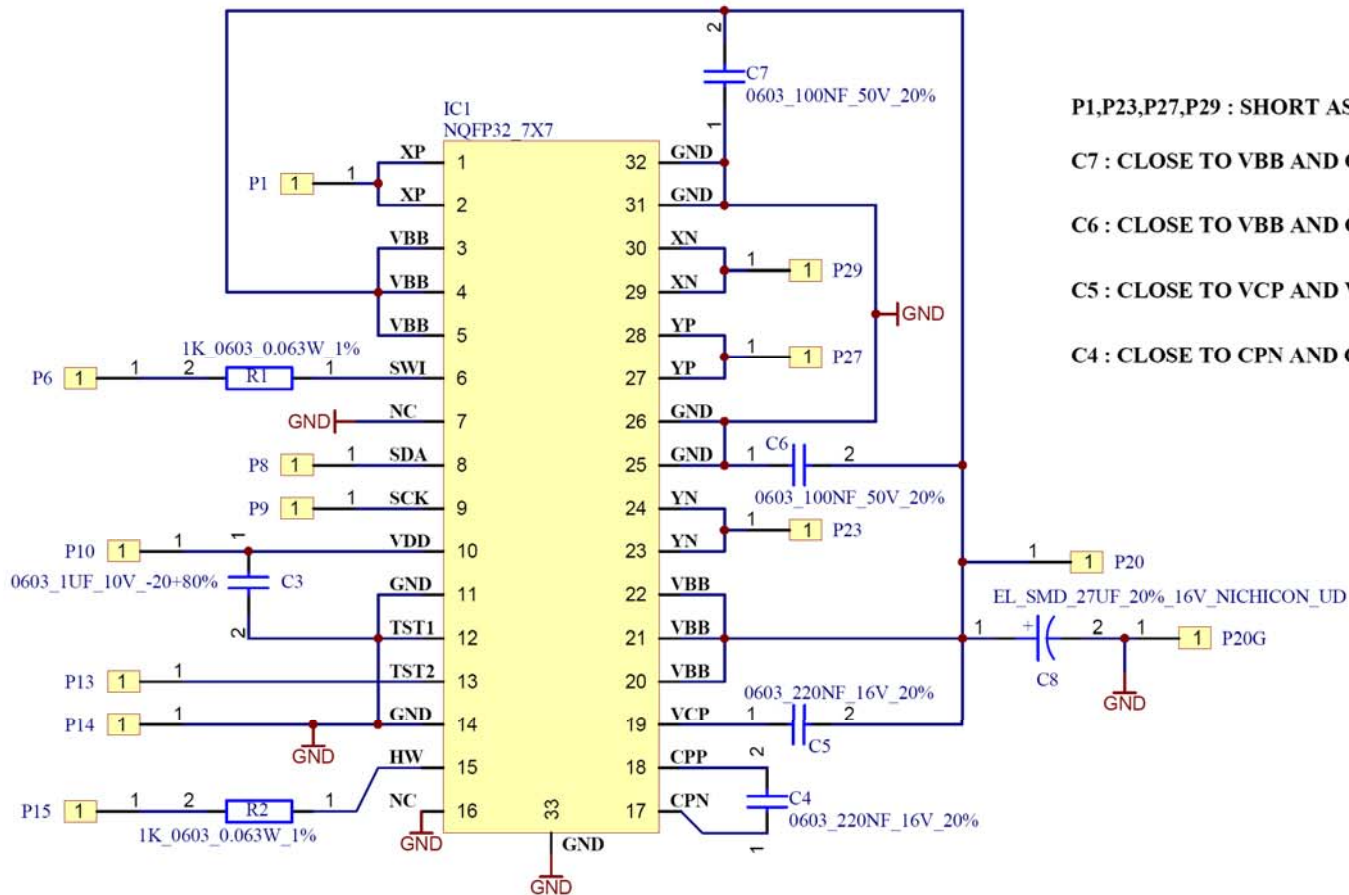




Schematic for the AM306228R1DBGEBV Evaluation Board



P1,P23,P27,P29 : SHORT AS POSSIBLE

C7 : CLOSE TO VBB AND GND

C6 : CLOSE TO VBB AND GND

C5 : CLOSE TO VCP AND VBB TO REDUCE EMC RADIATION

C4 : CLOSE TO CPN AND CPP TO REDUCE EMC RADIATION