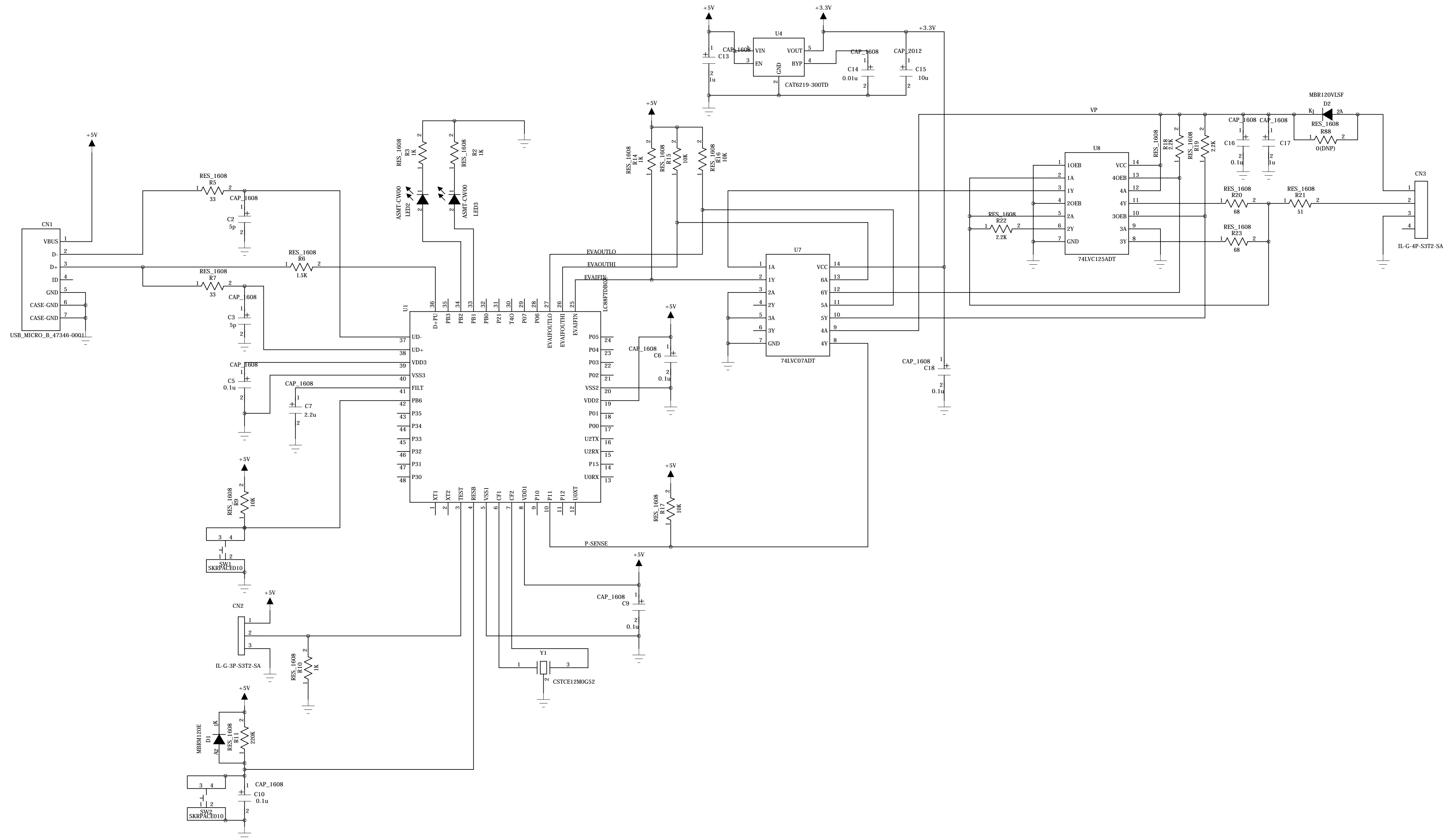


# Schematic for Debugger of the LC709501F Axx GEVB Evaluation Board



- SC1 SCREW\_3.2
- SC2 SCREW\_3.2
- SC3 SCREW\_3.2
- SC4 SCREW\_3.2
- IC3 [ON Semi LOGO] ON\_PDS1
- IC4 [PS\_FREE] PS\_FREE
- IC5 [BATTERY DISPOSAL] W125X35
- IC6 [SERIAL\_NUMBER\_8BOXES] SERIAL\_NUMBER\_8BOXES

|     |                  |                       |                    |                               |               |               |                  |  |               |
|-----|------------------|-----------------------|--------------------|-------------------------------|---------------|---------------|------------------|--|---------------|
| PDC | BOARD NAME:      | <b>LC88FDEBUGGEVB</b> | INTERNAL CUSTOMER: | Microm Shohaban               | REV           | 0             | REVISION HISTORY |  | REV DATE      |
|     | ON Semiconductor |                       | PROJECT LEADER:    | Ricchel Pasqua                | DATE CREATED: | July 09, 2018 |                  |  | July 12, 2018 |
|     |                  |                       | CHECKER:           | Jenny Joangh<br>Angel Quimban | DATE CHECKED: | July 17, 2018 |                  |  |               |