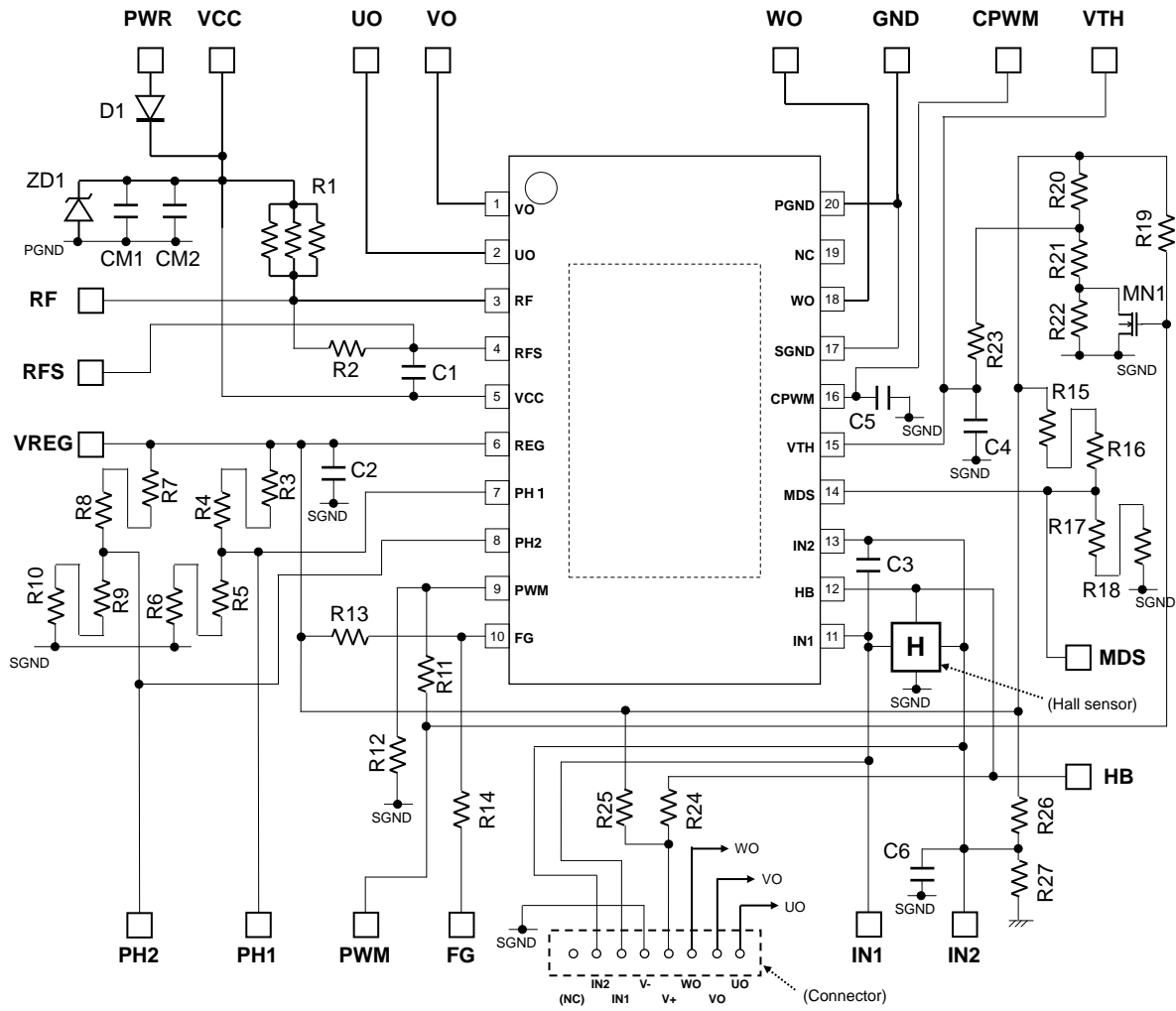


Schematic for the LV88-11G/13G/14J-GEVB Evaluation Board



*Notice: LV8814J do not include the exposed-PAD.