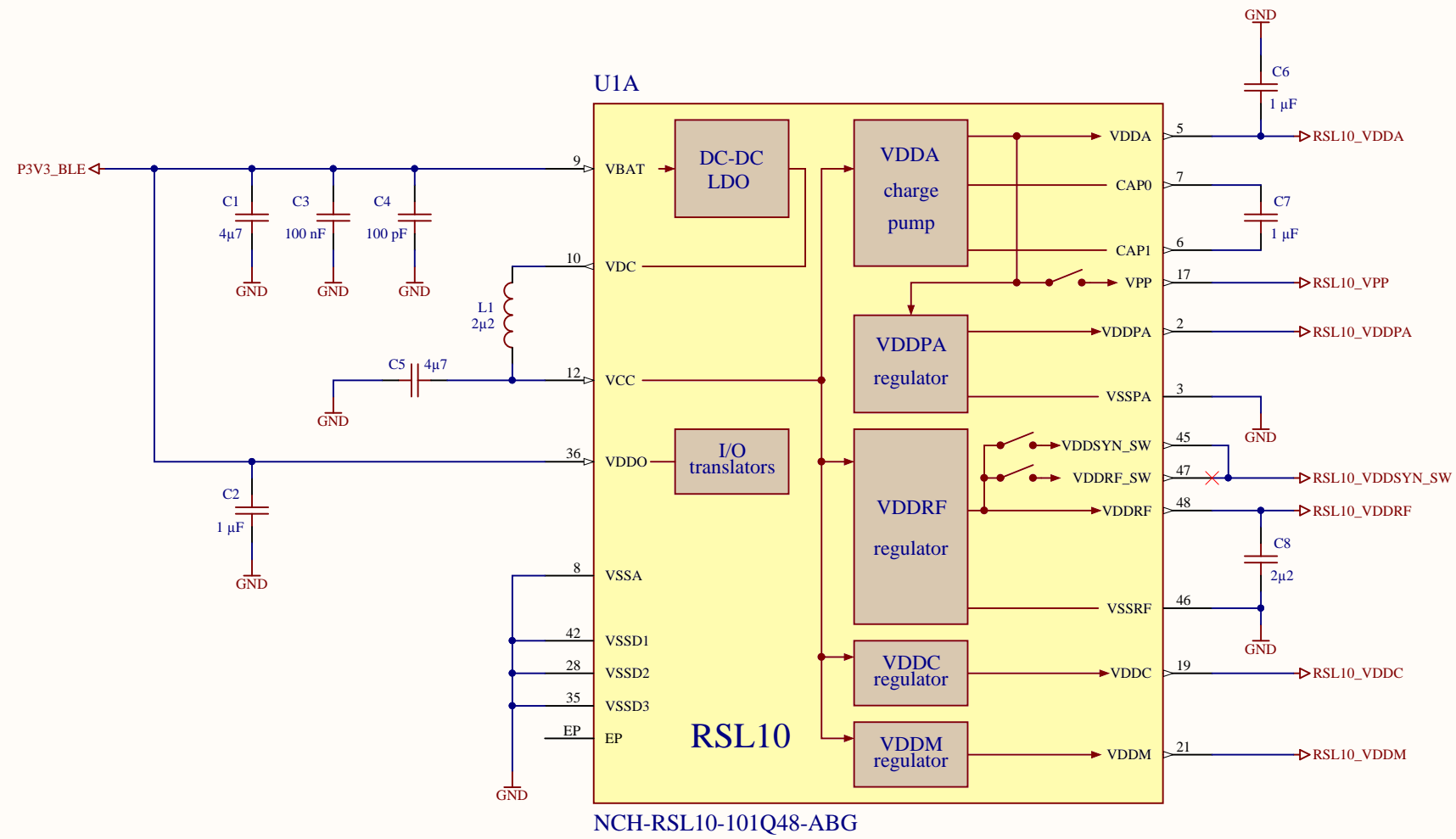


**USB-A to micro-B cable
50 cm**

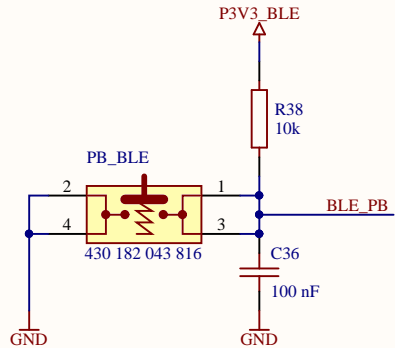
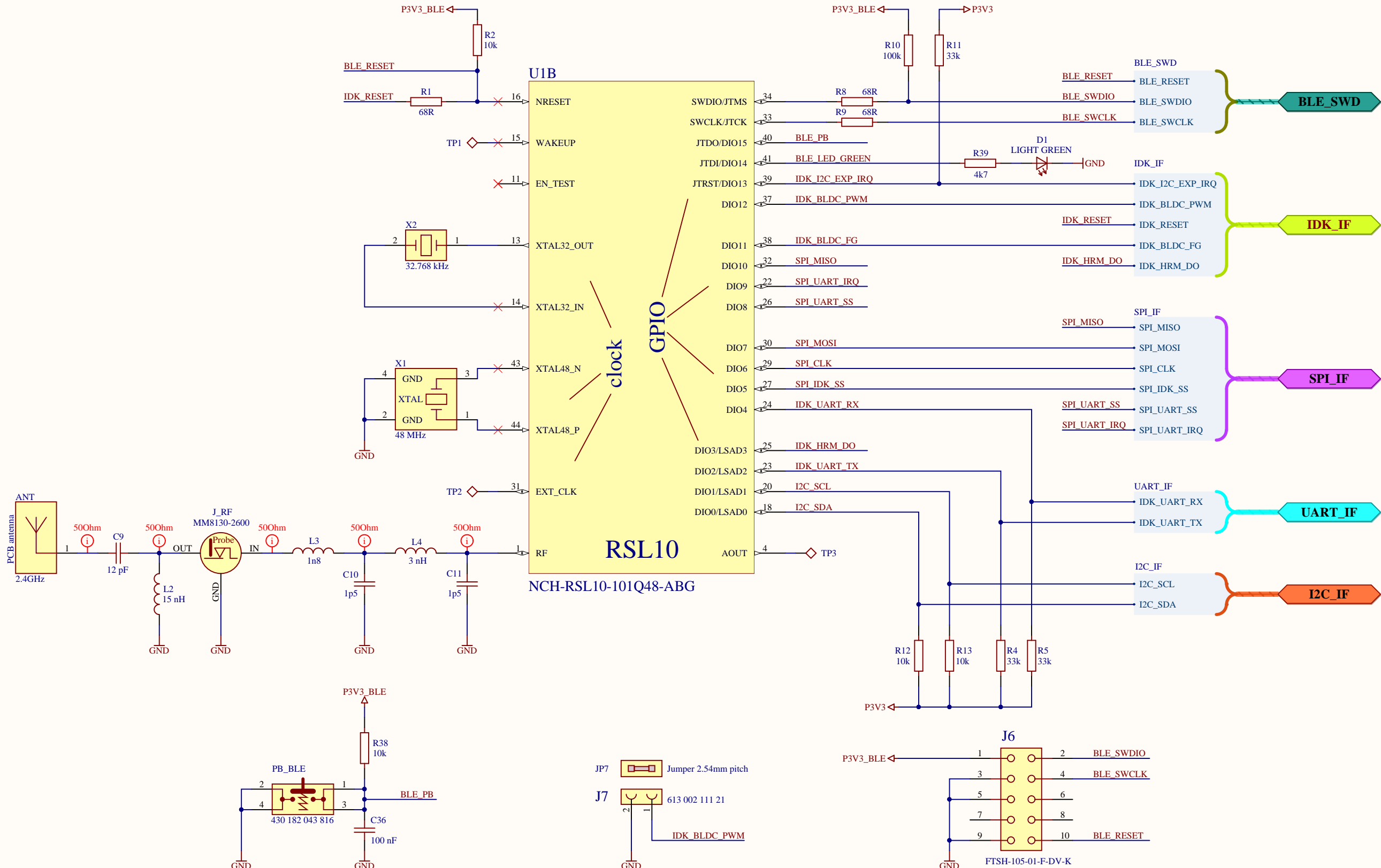
BDK-GEVK (RSL10 BLE Development Kit)		Assembly variant:	State:
<i>Top level diagram</i>		<i>standard_board</i>	<i>released</i>
Revision: SCHRevision	Repository revision: 1061		ON Semiconductor Solution Engineering Center Piešťany
Engineer: Duris, Kostelec	14.May 2018 15:43		
File: BDK_GEVK.SchDoc	1/8		



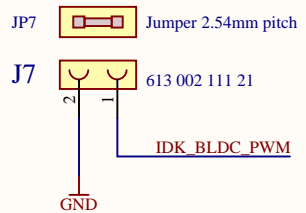


BDK-GEVK (RSL10 BLE Development Kit)		Assembly variant:	State:
<i>BLE power supply</i>		<i>standard_board</i>	<i>released</i>
Revision: SCHRevision	Repository revision: 1061	ON Semiconductor Solution Engineering Center Piešťany	
Engineer: Duris, Kostelec	14.May 2018 12:59		
File: BLE_power_supply.SchDoc	2/8		



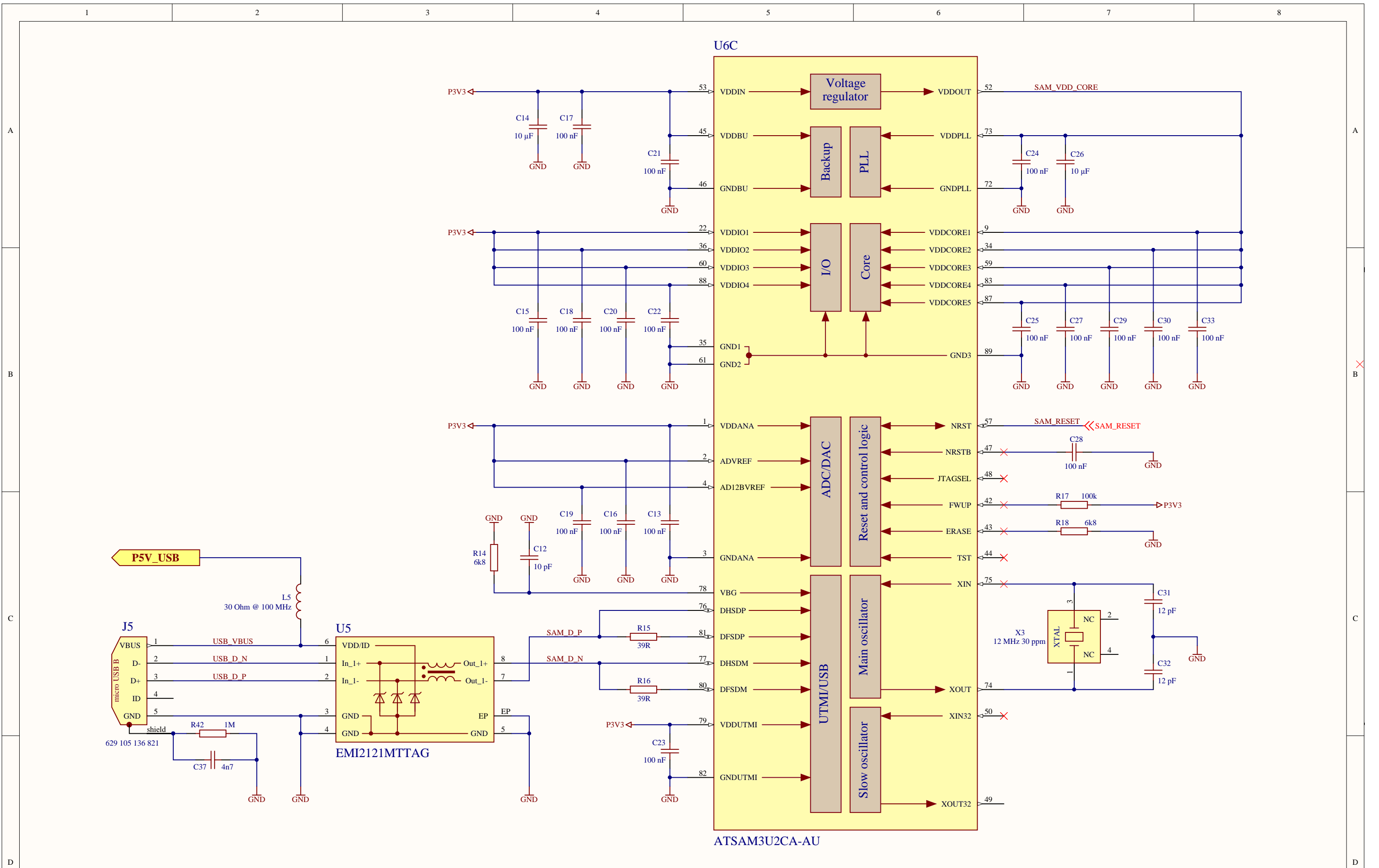


RSL10 deep sleep reflash
(Install jumper to activate)



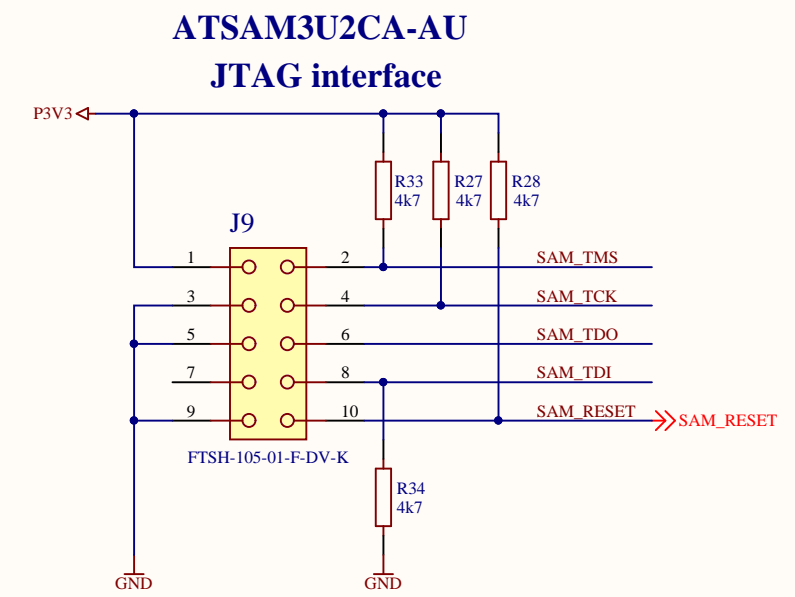
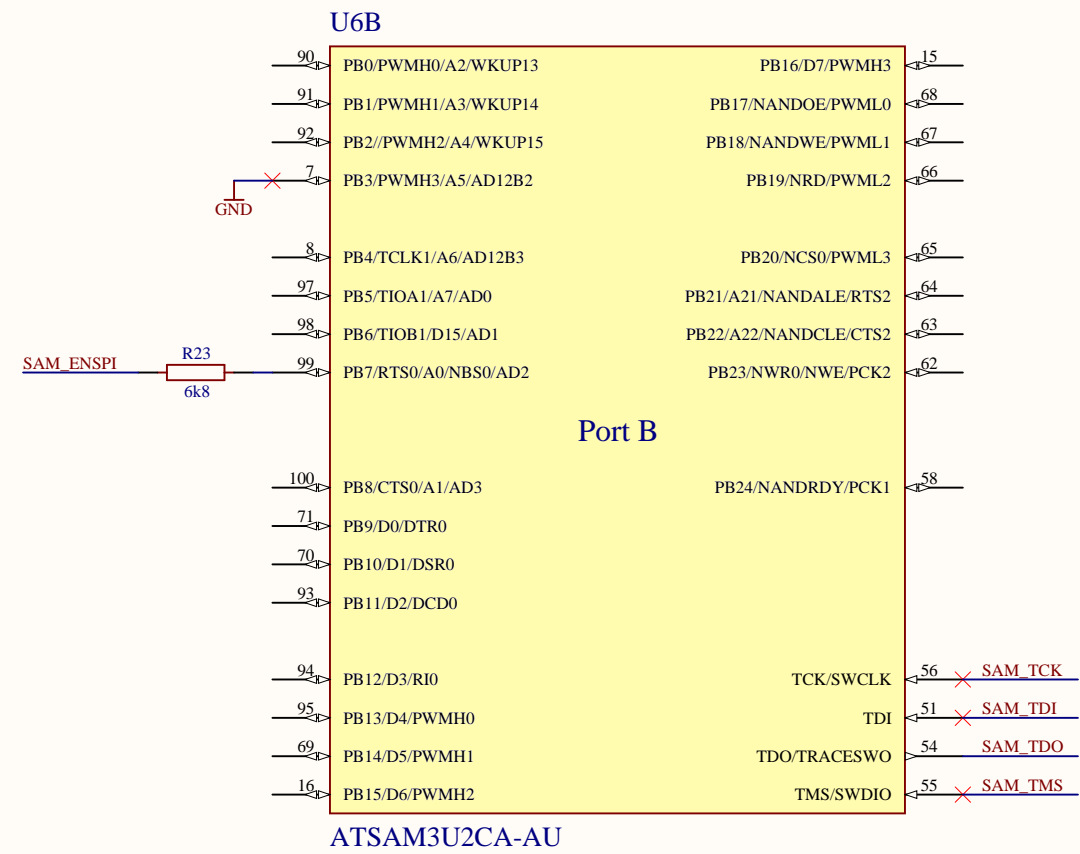
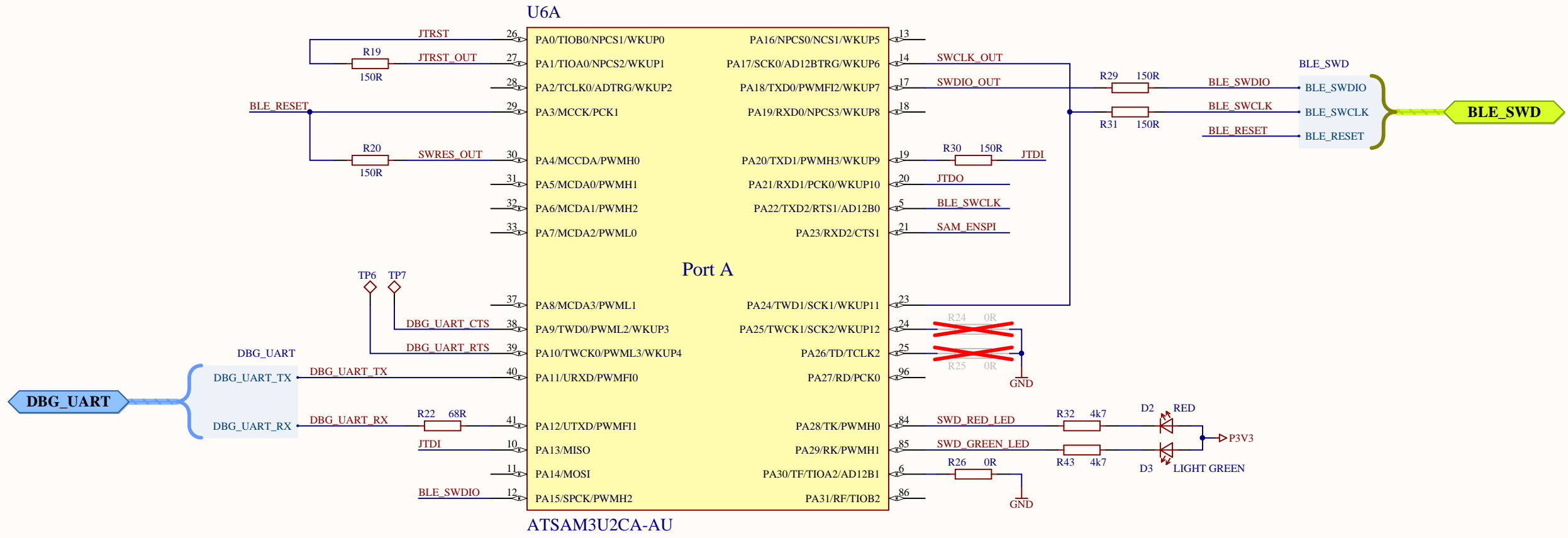
RSL10 SW debug

BDK-GEVK (RSL10 BLE Development Kit)		Assembly variant:	State:
RSL10 BLE IC - signals		standard_board	released
Revision: SCHRevision	Repository revision: 1061	ON Semiconductor	
Engineer: Duris,Kosterec	16.May 2018 09:13	Solution Engineering Center	
File: BLE_signals.SchDoc	3/8	Piestany	



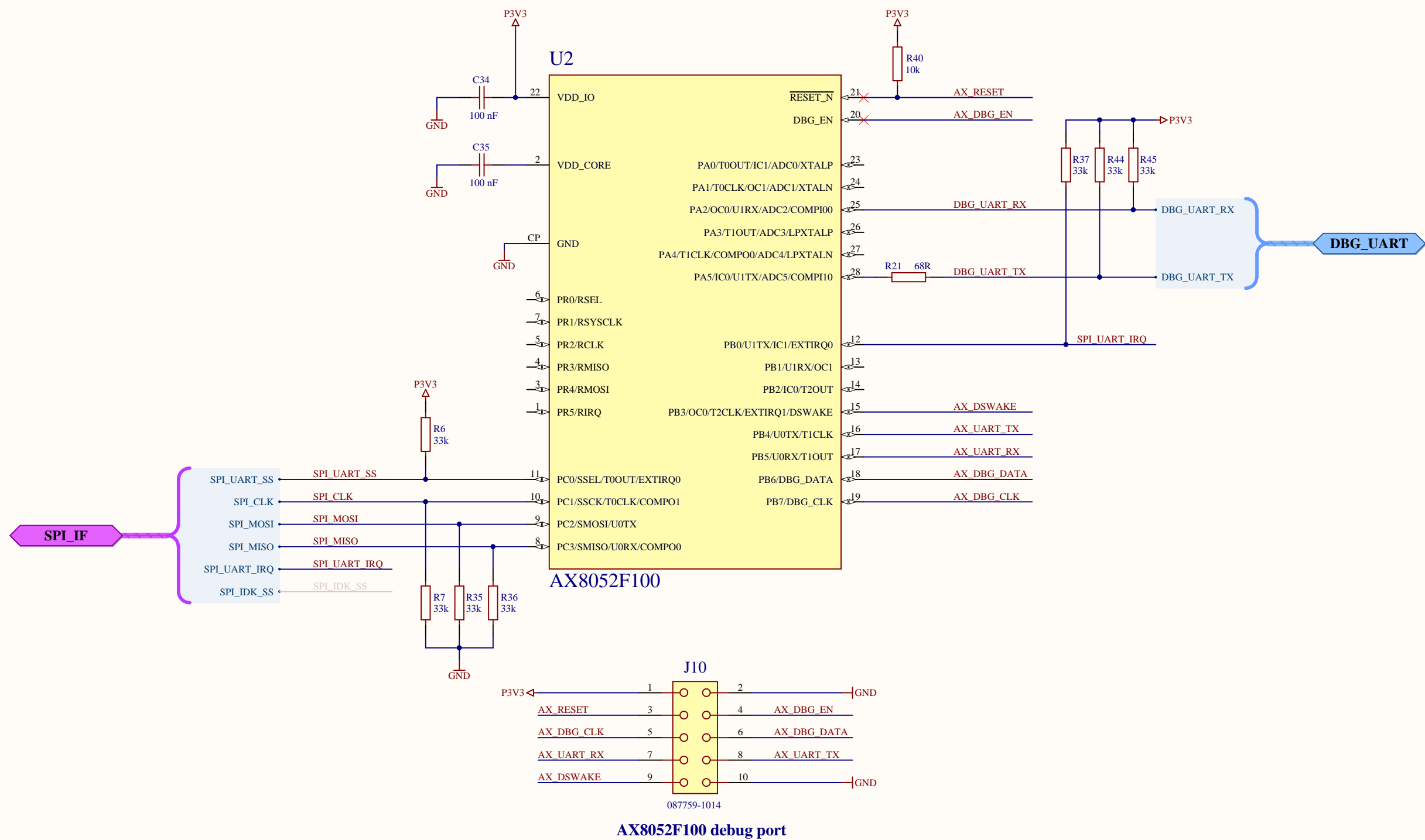
BDK-GEVK (RSL10 BLE Development Kit)		Assembly variant:	State:
SW debugger - USB and power supply		standard_board	released
Revision: SCHRevision	Repository revision: 1061	ON Semiconductor Solution Engineering Center Piestany	
Engineer: Duris,Kostelec	16.May 2018 09:39		
File: SWD_power_supply.SchDoc	4/8		





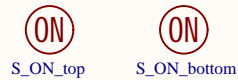
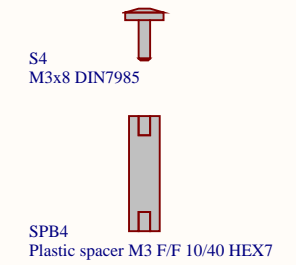
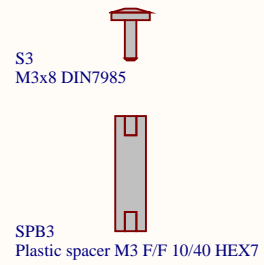
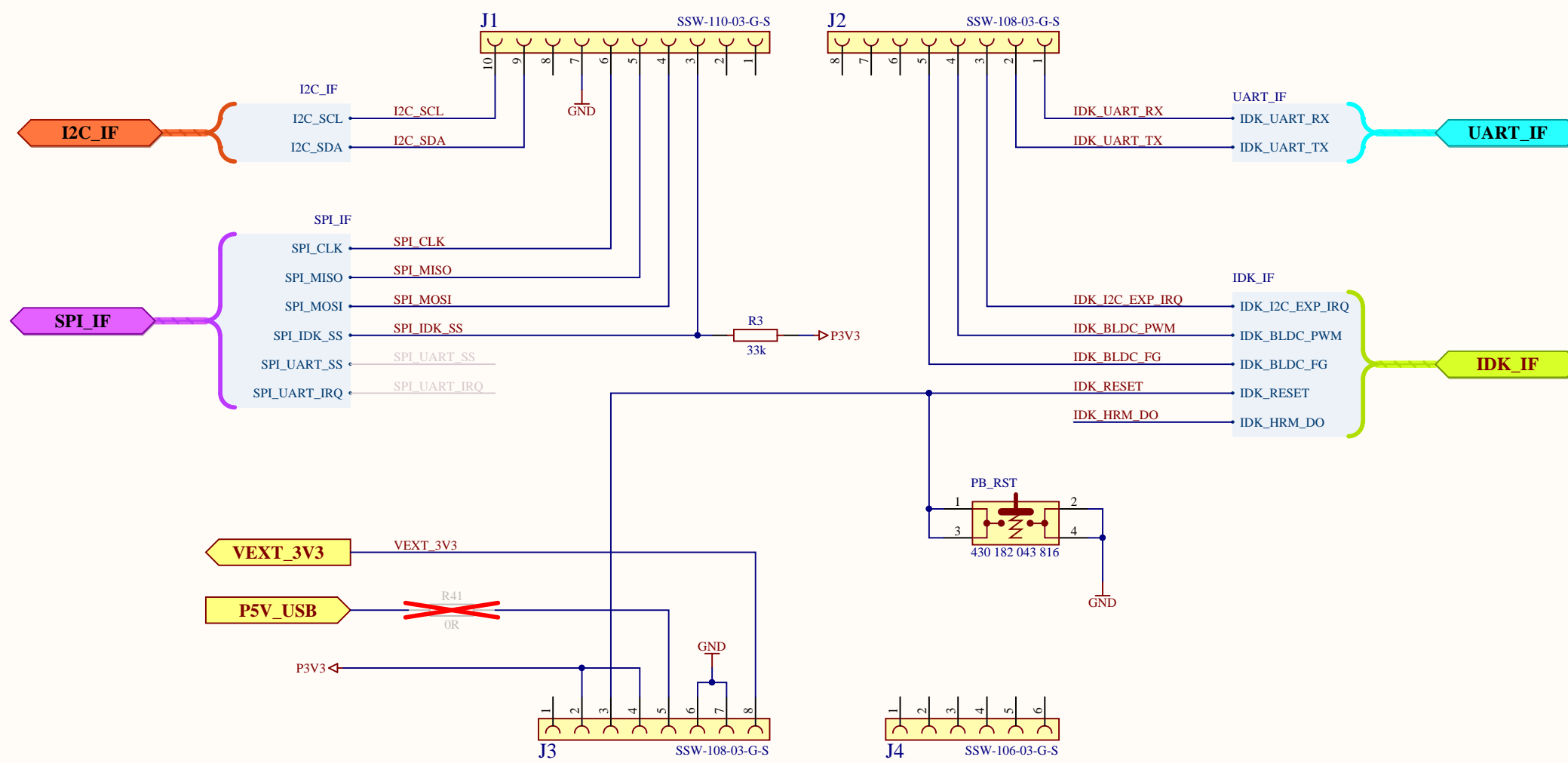
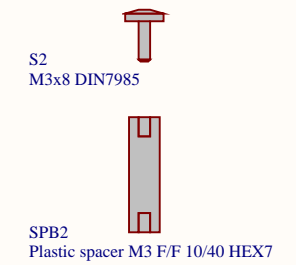
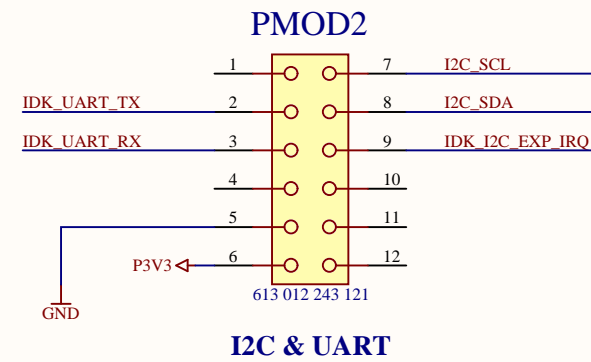
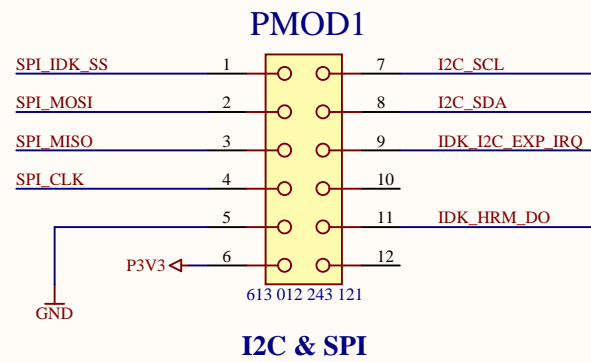
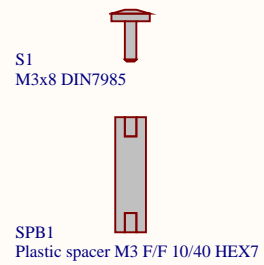
BDK-GEVK (RSL10 BLE Development Kit)		Assembly variant:	State:
<i>SW debugger - signals</i>		<i>standard_board</i>	<i>released</i>
Revision: SCHRevision	Repository revision: 1061	ON Semiconductor Solution Engineering Center Piešťany	
Engineer: Duris,Kosterec	17.May 2018 13:27		
File: SWD_signals.SchDoc	5/8		





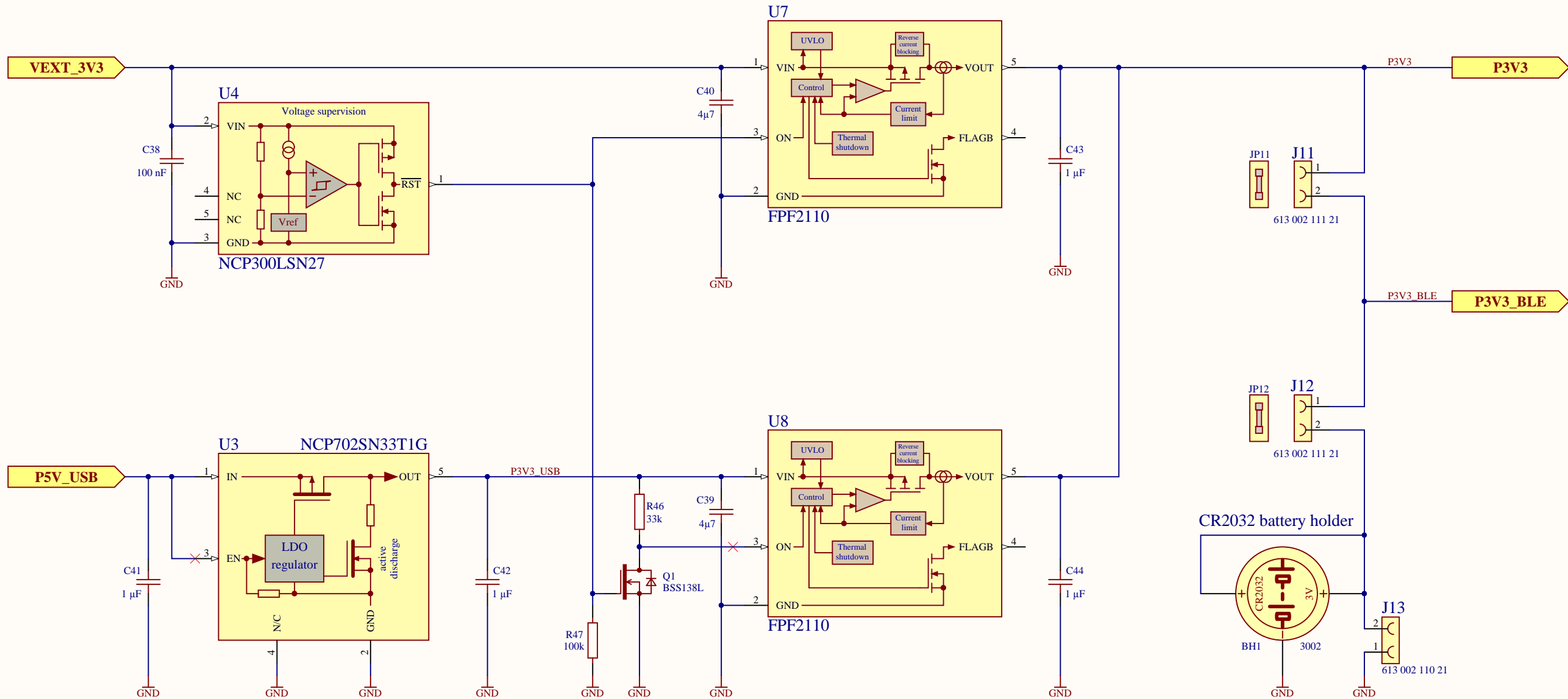
BDK-GEVK (RSL10 BLE Development Kit)		Assembly variant:	State:
SPI - UART bridge for console interface		standard_board	released
Revision: SCHRevision	Repository revision: 1061	ON Semiconductor Solution Engineering Center Piešťany	
Engineer: Duris,Kosterec	16.May 2018 09:18		
File: SPI_UART_bridge.SchDoc	6/8		





BDK-GEVK (RSL10 BLE Development Kit)		Assembly variant:	State:
Connection to IDK platform		standard_board	released
Revision: SCHRevision	Repository revision: 1061	ON Semiconductor Solution Engineering Center Piešťany	
Engineer: Duris,Kostelec	17.May 2018 13:51		
File: IDK_connection.SchDoc	7/8		





Note: VEXT_3V3 is selected if available

BDK-GEVK (RSL10 BLE Development Kit)		Assembly variant:	State:
Board power supply		standard_board	released
Revision: SCHRevision	Repository revision: 1061	ON Semiconductor Solution Engineering Center Piešťany	
Engineer: Duris, Kostelec	23.May 2018 16:16		
File: BDK_GEVK_power.SchDoc	8/8		

