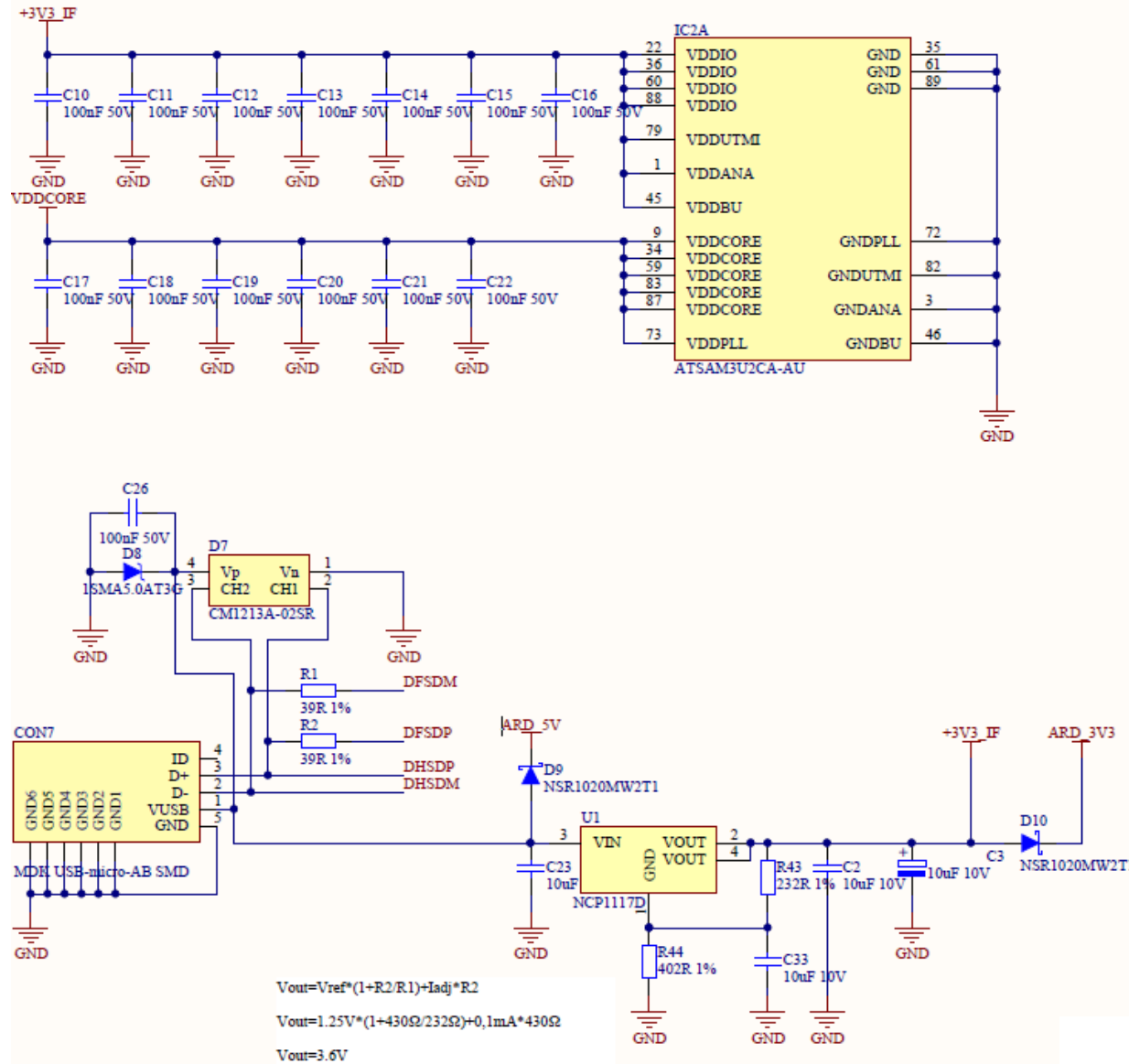
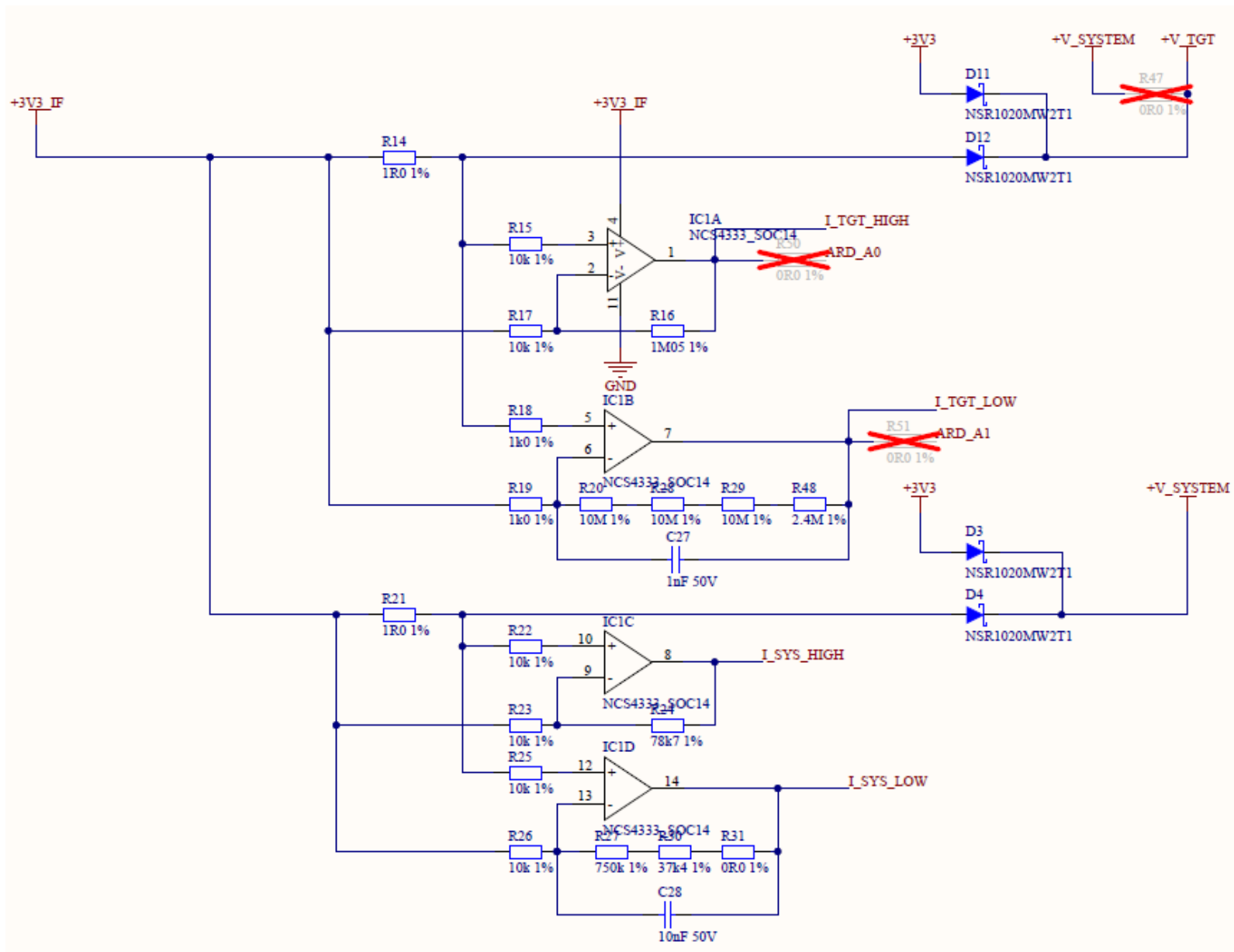
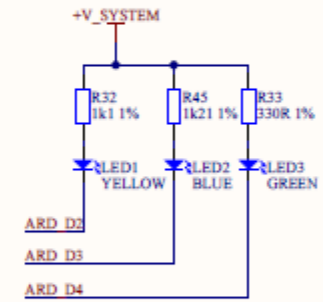
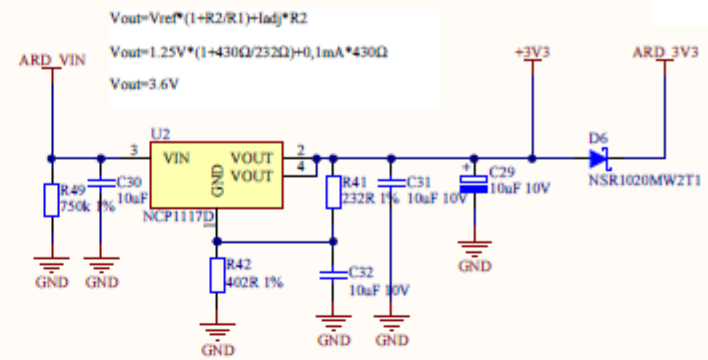
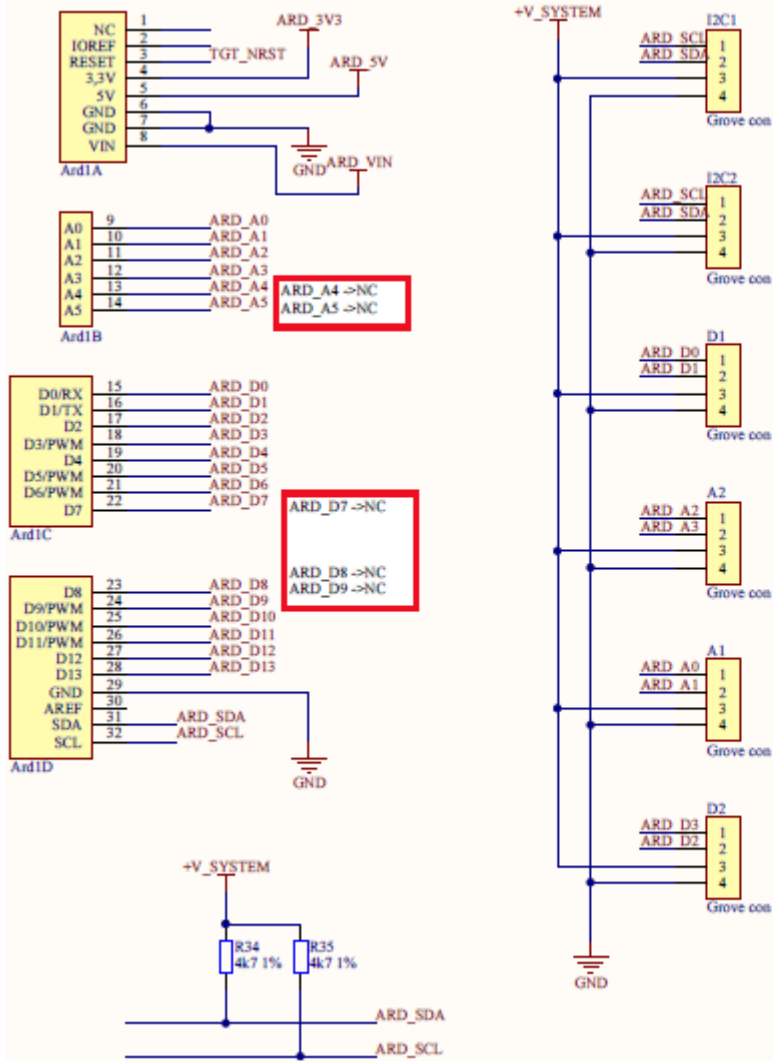




Schematic for the DVK-NCS36510-MBED-GEVB Evaluation Board







- MEH1
- DURATOOL D01463 PCB SPACER SUPPORT MEH2
- DURATOOL D01463 PCB SPACER SUPPORT MEH3
- DURATOOL D01463 PCB SPACER SUPPORT MEH4
- DURATOOL D01463 PCB SPACER SUPPORT

