



Spartan 5XL



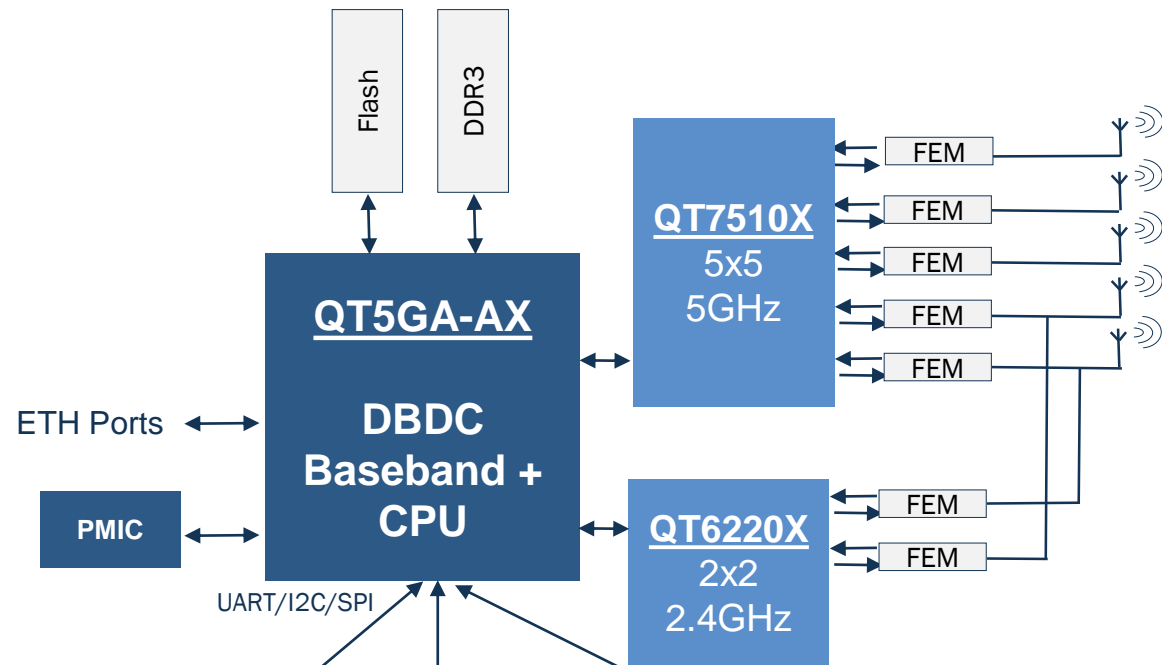
Spartan by Quantenna Connectivity Solutions

1. Advanced Reference Design: A Near Turnkey Set of Hardware Deliverables
2. Product Design Files Available to OEM & ODM Under License
3. Reduces OEM & ODM Development Cycle
4. Original Product Design Quality Guaranteed by QCS

Spartan 5XL IOT – Key Features

Spartan Product Name	Spartan 5XL
Quantenna Chipset	QSR5GA-AX
Wi-Fi Generation	Wi-Fi 6 Certified
AP / Repeater Type	Dual-Band / Half-Duplex
MIMO Order & Bandwidth	5x5 @5GHz – 160MHz 2x2 @2.4GHz – 40MHz
Wi-Fi AP TCP Capacity	> 3Gbps
LAN Interfaces	2 Ethernet Ports 1x 2.5GE + 1x 1GE
IOT Radio Hosting	BLE, Zigbee, Sub-1GHz

Spartan 5XL IOT - Architecture



1. Higher Speed and Range
2. Better MU-MIMO than 4x4 or lower solutions
3. Industry best DFS
4. Optimal for AP/Repeaters
5. Connectivity for optional external IoT radios



A Variety Of IoT Modules Are Available From ON Semiconductor

- 802.15.4 module for Zigbee application - **NCAT00LKT002G4**
 - <https://www.onsemi.com/products/connectivity/wireless-rf-transceivers/ncat00lkt002g4>
 - M3 Core, 640k Flash, 48k RAM
 - Whole Zigbee stack running on the module
- Sub GHz (27-1050MHz) - **AXM0F243**
 - <https://www.onsemi.com/products/connectivity/wireless-rf-transceivers/axm0f243>
 - M0 Core, 64k Flash, 8k SRAM
- BLE - **RSL10 SIP**
 - <https://www.onsemi.com/products/connectivity/wireless-rf-transceivers/rsl10-sip>
 - M3 Core, audio LPDSP, 384k flash, 72k RAM

