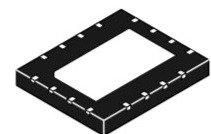
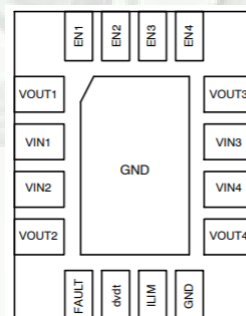
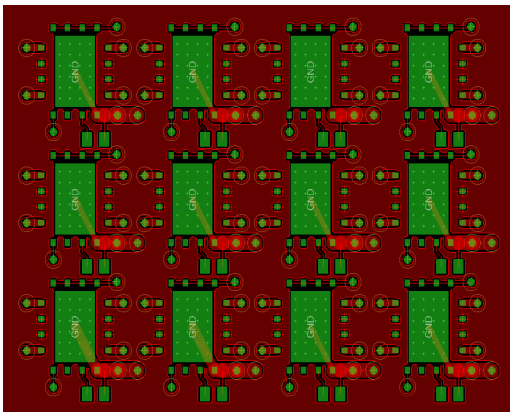
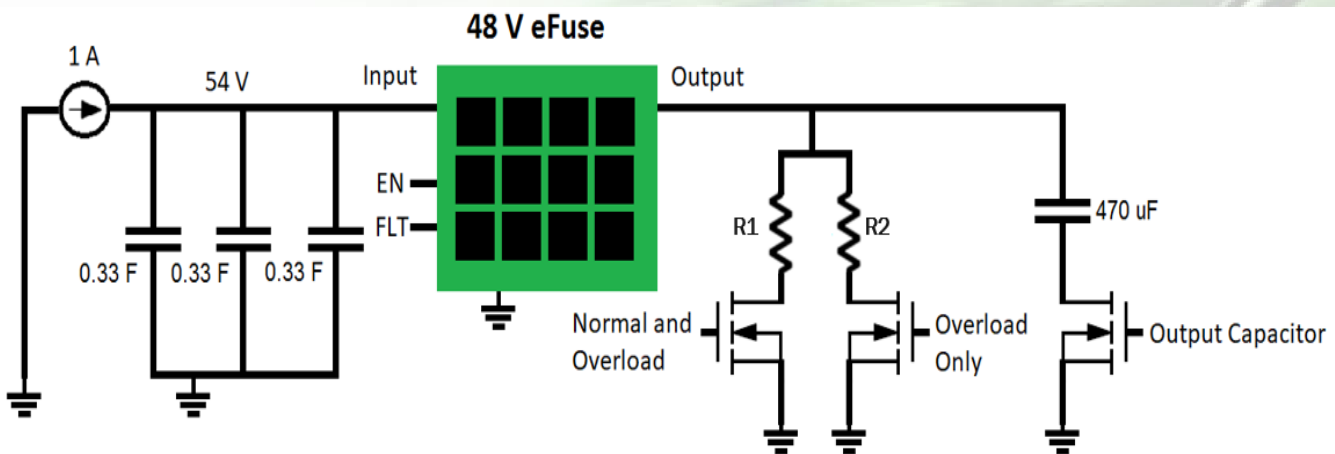


48 V High Current eFuse

Features

- High-side switch and overcurrent protection for 48 V systems
- eFuse is capable of 10 A DC and can be paralleled to achieve higher currents
- Adjustable current limit
- Enable and Fault pins for control and diagnostics
- 65 V maximum input voltage
- Controlled slew rate for soft start into capacitive loads



WQFN16, 6x5

ON Semiconductor®

