



---

**UPDATE CHANGE NOTIFICATION # 20656**Generic Copy

---

**Issue Date:** 12-Nov-2014**TITLE:** Update notice of FPCN20656 to correct the assembly site and case outline information.**PROPOSED FIRST SHIP DATE:** 25-Dec-2014**AFFECTED CHANGE CATEGORY(S):** ON Semiconductor Assembly & Test**ADDITIONAL RELIABILITY DATA:**

Contact your local ON Semiconductor Sales Office or Reliability Engineer Chean Ching Sim &lt;cheanching.sim@onsemi.com&gt;

**SAMPLES:** Contact your local ON Semiconductor Sales Office**FOR ANY QUESTIONS CONCERNING THIS NOTIFICATION:**

Contact your local ON Semiconductor Sales Office or following Product Engineers:

<b>Mesa Ultrafast Rectifier</b>	<b>Raja Roziah</b>	<b>Raja.Roziah.Rahmat@onsemi.com</b>
<b>Planar HV MOSFETS</b>	<b>Dianne von Borstel</b>	<b>d.von.borstel@onsemi.com</b>

**NOTIFICATION TYPE:**

ON Semiconductor will consider this change approved unless specific conditions of acceptance are provided in writing within 30 days of receipt of this notice. To do so, contact &lt;quality@onsemi.com&gt;.

**DESCRIPTION AND PURPOSE:**

This Update Notification is issued to correct the current assembly site for Mesa Ultrafast Rectifier as stated in FPCN20656. FPCN20656 announces the planned capacity expansion of ON Semiconductor's assembly and test operations of TO-220FP for Mesa Ultrafast Rectifier and HV MOSFET devices.

Correction to be made from the following description:

FROM:

**Mesa Ultrafast Rectifier:**

The Mesa Ultrafast Rectifier products are currently built at Nantong Fujitsu Microelectronics Co., Ltd (NFME) and Nantong Huada Microelectronics Group Co. Ltd (Huada), China.

**HV MOSFET:**

The HV MOSFET products are currently built at SP Semi (Korea) and ON Semiconductor Malaysia

Upon the expiration of this FPCN, ON Semiconductor Vietnam will be added as an additional assembly and test facility for HV MOSFET devices. The HV MOSFET products have been qualified to Consumer requirements. These products will continue to be Pb-free, and RoHS compliant. All products sourced from OSV will also be Halide free.

OSV products will be assembled using an improved design requiring a new case outline.

**UPDATE CHANGE NOTIFICATION #20656**

TO:

**Mesa Ultrafast Rectifier:**

The Mesa Ultrafast Rectifier products are currently built at SP Semi (Korea).

**HV MOSFET:**

Upon the expiration of this FPCN, the assembly and test facility for HV MOSFET TO220FP devices will transition to ON Semiconductor Vietnam. The HV MOSFET products have been qualified to Consumer requirements. These products will continue to be Pb-free, and RoHS compliant. All products sourced from OSV will also be Halide free.

With this change the following devices will require a modification to the case outline as shown below in Figure 1.

MURF1620CTG  
MURHF860CTG  
MURF1660CTG  
NDF02N60ZH  
NDF03N60ZH  
NDF08N60ZH  
NDF04N60ZH  
NDF05N50ZH  
NDF06N60ZH  
NDF08N50ZH  
NDF10N60ZH  
NDF11N50ZH

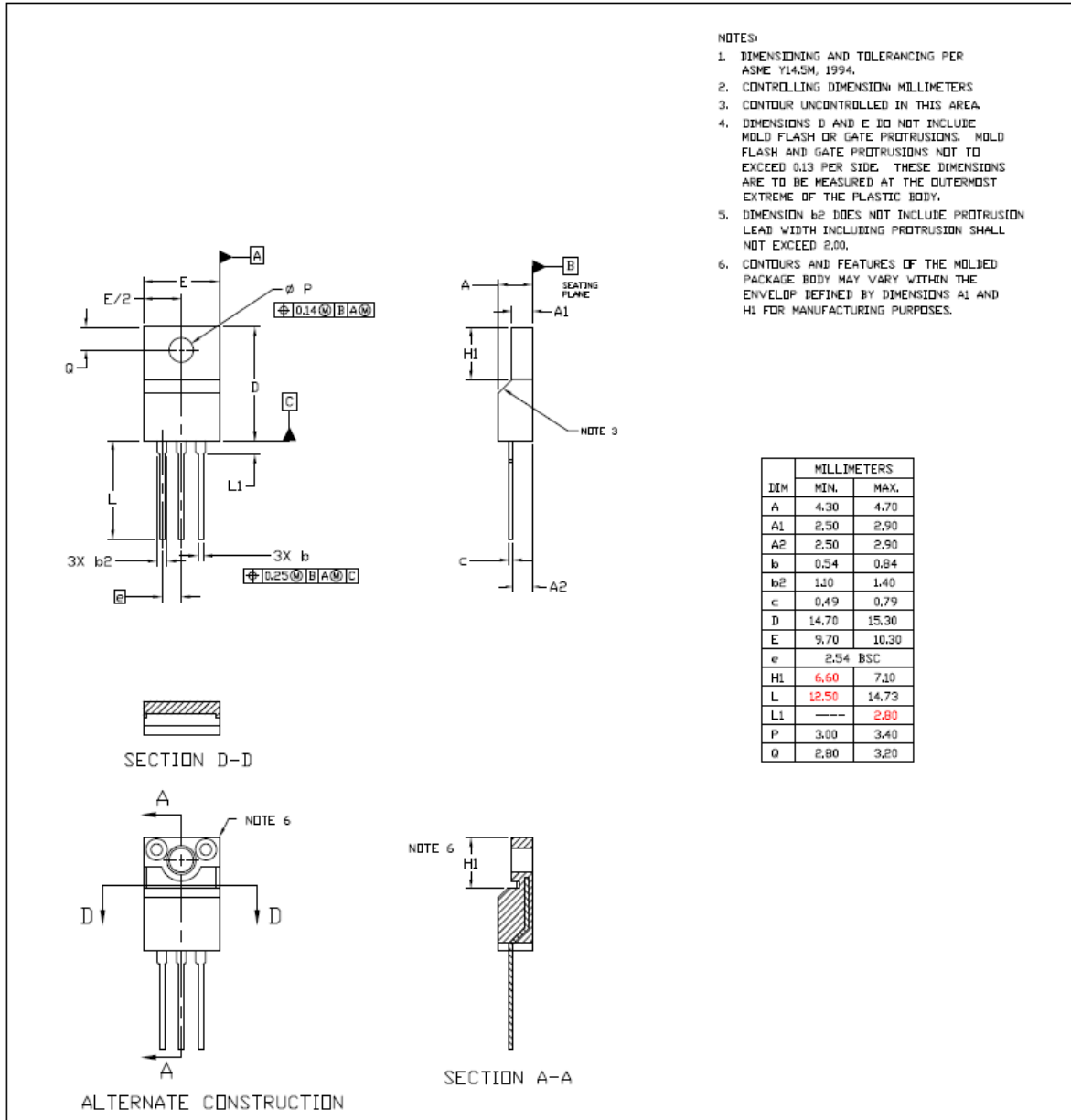
With this change the following devices will require a modification to the case outline as shown below in Figure 2.

NDF05N50ZG  
NDF08N50ZG  
NDF11N50ZG  
NDF02N60ZG  
NDF08N60ZG  
NDF10N60ZG  
NDF06N60ZG  
NDF03N60ZG  
NDF04N60ZG



UPDATE CHANGE NOTIFICATION #20656

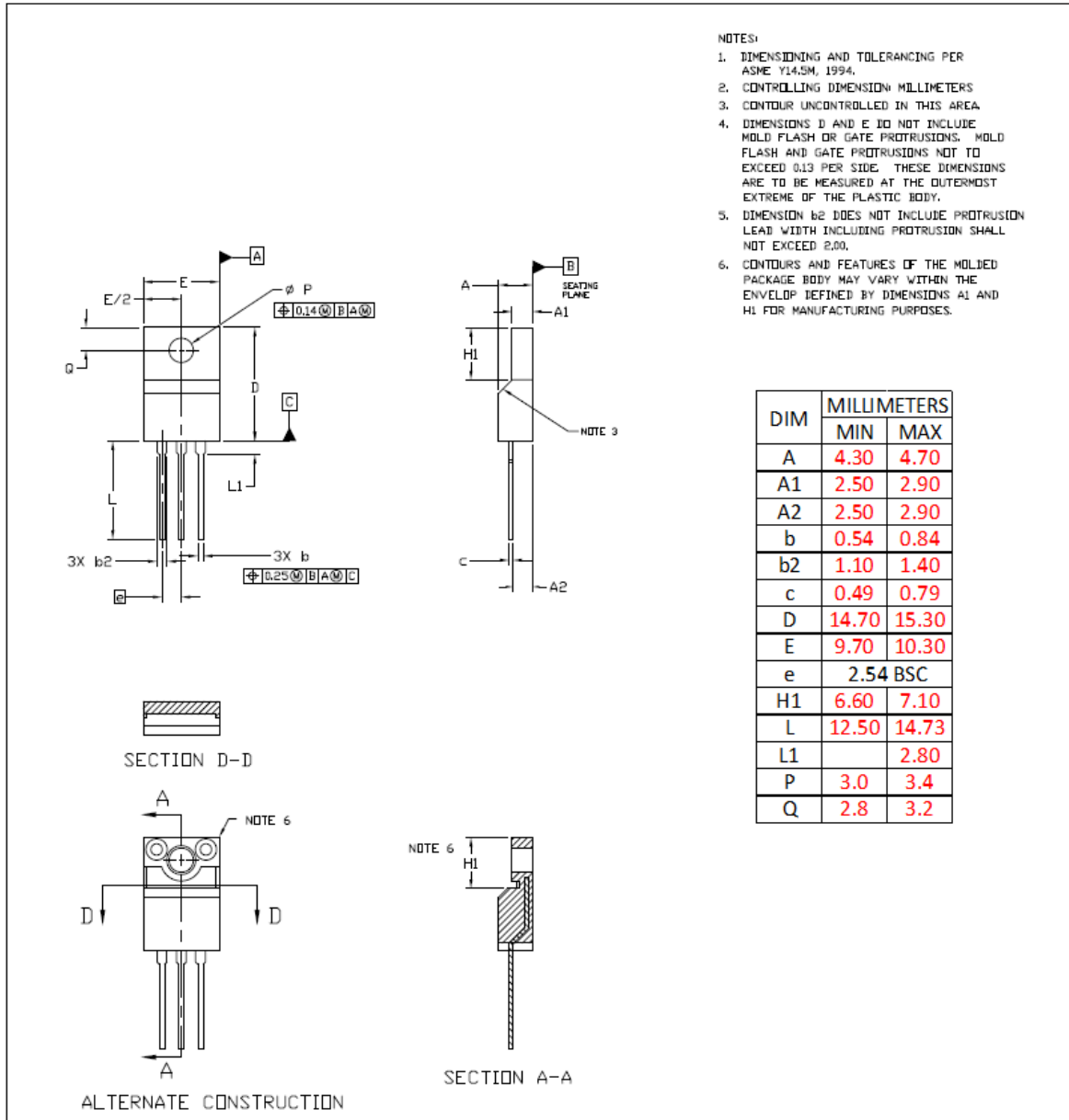
Figure 1:





UPDATE CHANGE NOTIFICATION #20656

Figure 2:



Other details as stated in FPCN20656 remain unchanged.



**UPDATE CHANGE NOTIFICATION #20656**

**List of affected General Parts:**

MURF1620CTG  
MURHF860CTG  
MURF1660CTG  
NDF05N50ZG  
NDF08N50ZG  
NDF11N50ZG  
NDF02N60ZG  
NDF08N60ZG  
NDF10N60ZG  
NDF06N60ZG  
NDF03N60ZG  
NDF04N60ZG  
NDF02N60ZH  
NDF03N60ZH  
NDF08N60ZH  
NDF04N60ZH  
NDF05N50ZH  
NDF06N60ZH  
NDF08N50ZH  
NDF10N60ZH  
NDF11N50ZH