



Title of Change:	Update flat lead length (L) and lead thickness (C) dimensions of SOT23 (TO-236) package in datasheets.
Effective date:	16 September 2016
Contact information:	Contact your local ON Semiconductor Sales Office or <Michael.You@onsemi.com>
Type of notification:	ON Semiconductor will consider this change accepted.
Change category:	<input type="checkbox"/> Wafer Fab Change <input type="checkbox"/> Assembly Change <input type="checkbox"/> Test Change <input checked="" type="checkbox"/> Other Datasheet Change

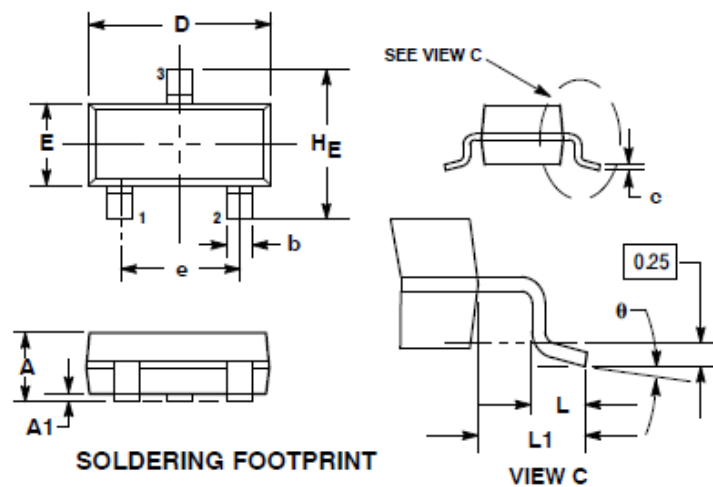
Change Sub-Category(s):	<input checked="" type="checkbox"/> Datasheet/Product Doc change
<input type="checkbox"/> Manufacturing Site Change/Addition	<input type="checkbox"/> Material Change
<input type="checkbox"/> Manufacturing Process Change	<input type="checkbox"/> Shipping/Packaging/Marking
	<input type="checkbox"/> Product specific change
	<input type="checkbox"/> Other: _____

Sites Affected:	<input checked="" type="checkbox"/> All site(s)	<input type="checkbox"/> not applicable	<input type="checkbox"/> ON Semiconductor site(s) :	<input type="checkbox"/> External Foundry/Subcon site(s)
------------------------	---	---	---	--

Description and Purpose:

Updated flat lead length (L) and lead thickness (c) dimensions in datasheets to align with actual dimensions. Corrected the conversion error between millimeters and inches.

There is no change to the form, fit, or function of the physical part.



Previous Table

DIM	MILLIMETERS			INCHES		
	MIN	NOM	MAX	MIN	NOM	MAX
A	0.890	1.000	1.110	0.035	0.040	0.044
A1	0.010	0.060	0.100	0.001	0.002	0.004
b	0.370	0.440	0.500	0.015	0.018	0.020
c	0.090	0.130	0.180	0.003	0.005	0.007
D	2.800	2.900	3.040	0.110	0.114	0.120
E	1.200	1.300	1.400	0.047	0.051	0.055
e	1.780	1.900	2.040	0.070	0.075	0.081
L	0.100	0.200	0.300	0.004	0.008	0.012
L1	0.350	0.540	0.690	0.014	0.021	0.029
HE	2.100	2.400	2.640	0.083	0.094	0.104
θ	0°	---	10°	0°	---	10°

New Table

DIM	MILLIMETERS			INCHES		
	MIN	NOM	MAX	MIN	NOM	MAX
A	0.89	1.00	1.11	0.035	0.039	0.044
A1	0.01	0.06	0.10	0.000	0.002	0.004
b	0.37	0.44	0.50	0.015	0.017	0.020
c	0.08	0.14	0.20	0.003	0.006	0.008
D	2.80	2.90	3.04	0.110	0.114	0.120
E	1.20	1.30	1.40	0.047	0.051	0.055
e	1.78	1.90	2.04	0.070	0.075	0.080
L	0.30	0.43	0.55	0.012	0.017	0.022
L1	0.35	0.54	0.69	0.014	0.021	0.027
HE	2.10	2.40	2.64	0.083	0.094	0.104
θ	0°	---	10°	0°	---	10°



List of Affected Standard Parts:

2N7002ET1G	BZX84C15LT3G	MMBT4124LT1G	MMUN2113LT3G
2N7002KT1G	BZX84C16LT1G	MMBT4126LT1G	MMUN2114LT1G
2N7002KT1H	BZX84C18LT1G	MMBT4126LT3G	MMUN2114LT3G
2N7002LT1G	BZX84C18LT3G	MMBT4401LT1G	MMUN2115LT1G
2N7002LT1H	BZX84C20LT1G	MMBT4401LT3G	MMUN2116LT1G
2N7002LT3G	BZX84C22LT1G	MMBT4403LT1G	MMUN2130LT1G
BAL99LT1G	BZX84C24LT1G	MMBT4403LT3G	MMUN2131LT1G
BAS116LT1G	BZX84C27LT1G	MMBT489LT1G	MMUN2132LT1G
BAS116LT3G	BZX84C2V4LT1G	MMBT5087LT1G	MMUN2133LT1G
BAS16LT1G	BZX84C2V7LT1G	MMBT5087LT3G	MMUN2134LT1G
BAS16LT3G	BZX84C30LT1G	MMBT5088LT1G	MMUN2135LT1G
BAS19LT1G	BZX84C33LT1G	MMBT5089LT1G	MMUN2136LT1G
BAS19LT3G	BZX84C33LT3G	MMBT5401LT1G	MMUN2137LT1G
BAS20LT1G	BZX84C36LT1G	MMBT5401LT3G	MMUN2138LT1G
BAS20LT3G	BZX84C39LT1G	MMBT5550LT1G	MMUN2140LT1G
BAS21LT1G	BZX84C3V0LT1G	MMBT5550LT3G	MMUN2141LT1G
BAS21LT3G	BZX84C3V3LT1G	MMBT5551LT1G	MMUN2211LT1G
BAS21SLT1G	BZX84C3V6LT1G	MMBT5551LT3G	MMUN2211LT3G
BAS40-04LT1G	BZX84C3V9LT1G	MMBT589LT1G	MMUN2212LT1G
BAS40-06LT1G	BZX84C43LT1G	MMBT6427LT1G	MMUN2213LT1G
BAS40LT1G	BZX84C47LT1G	MMBT6428LT1G	MMUN2214LT1G
BAS40LT3G	BZX84C4V3LT1G	MMBT6429LT1G	MMUN2215LT1G
BAS70-04LT1G	BZX84C4V3LT3G	MMBT6520LT1G	MMUN2216LT1G
BAS70LT1G	BZX84C4V7LT1G	MMBT6521LT1G	MMUN2217LT1G
BAT54ALT1G	BZX84C4V7LT3G	MMBT8099LT1G	MMUN2218LT1G
BAT54CLT1G	BZX84C51LT1G	MMBT918LT1G	MMUN2230LT1G
BAT54CLT3G	BZX84C56LT1G	MMBTA05LT1G	MMUN2231LT1G
BAT54LT1G	BZX84C5V1LT1G	MMBTA05LT3G	MMUN2232LT1G
BAT54SLT1G	BZX84C5V1LT3G	MMBTA06LT1G	MMUN2233LT1G
BAV199LT1G	BZX84C5V6ET3G	MMBTA06LT3G	MMUN2234LT1G
BAV23CLT1G	BZX84C5V6LT1G	MMBTA13LT1G	MMUN2235LT1G
BAV23CLT3G	BZX84C5V6LT3G	MMBTA13LT3G	MMUN2236LT1G
BAV70LT1G	BZX84C62LT1G	MMBTA14LT1G	MMUN2237LT1G
BAV70LT3G	BZX84C68LT1G	MMBTA42LT1G	MMUN2238LT1G
BAV74LT1G	BZX84C6V2ET1G	MMBTA42LT3G	MMUN2240LT1G
BAV99LT1G	BZX84C6V2LT1G	MMBTA55LT1G	MMUN2241LT1G
BAV99LT3G	BZX84C6V2LT3G	MMBTA56LT1G	NCP51460SN33T1G
BAW56LT1G	BZX84C6V8LT1G	MMBTA56LT3G	NCP803SN120T1G
BAW56LT3G	BZX84C6V8LT3G	MMBTA63LT1G	NCP803SN160T1G
BC807-16LT1G	BZX84C75LT1G	MMBTA64LT1G	NCP803SN232T1G
BC807-16LT3G	BZX84C7V5LT1G	MMBTA64LT3G	NCP803SN263T1G
BC807-25LT1G	BZX84C8V2LT1G	MMBTA92LT1G	NCP803SN293D1T1G
BC807-25LT3G	BZX84C9V1LT1G	MMBTA92LT3G	NCP803SN293D2T1G



BC807-40LT1G	BZX84C9V1LT3G	MMBTH10-4LT1G	NCP803SN293D3T1G
BC807-40LT3G	CM1213A-01SO	MMBTH10LT1G	NCP803SN293T1G
BC808-25LT1G	CM1214A-01SO	MMBTH10LT3G	NCP803SN293T3G
BC817-16LT1G	ESDONCAN1LT1G	MMBZ12VALT1G	NCP803SN308T1G
BC817-16LT3G	ESDONCAN1LT3G	MMBZ15VALT1G	NCP803SN400T1G
BC817-25LT1G	MA3075WALT1G	MMBZ15VDLT1G	NCP803SN438T1G
BC817-25LT3G	MAX809HTRG	MMBZ15VDLT3G	NCP803SN463T1G
BC817-40LT1G	MAX809JTRG	MMBZ16VALT1G	NDC3105LT1G
BC817-40LT3G	MAX809LTRG	MMBZ16VTALT1G	NSD070ALT1G
BC818-40LT1G	MAX809MTRG	MMBZ18VALT1G	NSS12200LT1G
BC846ALT1G	MAX809MTRGH	MMBZ20VALT1G	NSS12201LT1G
BC846ALT3G	MAX809RTRG	MMBZ27VALT1G	NSS1C200LT1G
BC846BLT1G	MAX809SN120T1G	MMBZ27VALT3G	NSS1C201LT1G
BC846BLT3G	MAX809SN160T1G	MMBZ27VCLT1G	NSS20200LT1G
BC847ALT1G	MAX809SN232T1G	MMBZ33VALT1G	NSS20201LT1G
BC847BLT1G	MAX809SN293D1T1G	MMBZ39VCLT1G	NSS30100LT1G
BC847BLT3G	MAX809SN293D2T1G	MMBZ39VCLT3G	NSS30101LT1G
BC847CLT1G	MAX809SN293D3T1G	MMBZ47VALT1G	NSS40200LT1G
BC847CLT3G	MAX809SN490T1G	MMBZ47VTALT1G	NSS40201LT1G
BC848ALT1G	MAX809STRG	MMBZ5221BLT1G	NSS60200LT1G
BC848BLT1G	MAX809STRGH	MMBZ5222BLT1G	NSS60201LT1G
BC848BLT3G	MAX809TTRG	MMBZ5223BLT1G	NTR0202PLT1G
BC848CLT1G	MAX810LTRG	MMBZ5225BLT1G	NTR1P02LST1G
BC849BLT1G	MAX810MTRG	MMBZ5226BLT1G	NTR1P02LT1G
BC849CLT1G	MAX810RTRG	MMBZ5227BLT1G	NTR1P02LT1H
BC850BLT1G	MAX810SN120T1G	MMBZ5227BLT1H	NTR1P02LT3G
BC850CLT1G	MAX810SN293D1T1G	MMBZ5228BLT1G	NTR1P02T1G
BC856ALT1G	MAX810SN293D2T1G	MMBZ5229BLT1G	NTR2101PT1G
BC856BLT1G	MAX810SN293D3T1G	MMBZ5230BLT1G	NTR2101PT1H
BC856BLT3G	MAX810STRG	MMBZ5231BLT1G	NTR3A052PZT1G
BC857ALT1G	MAX810TTRG	MMBZ5231BLT1H	NTR3A085PZT1G
BC857BLT1G	MDC3105LT1G	MMBZ5231BLT3G	NTR3A30PZT1G
BC857BLT3G	MGSF1N02LT1G	MMBZ5231ELT1G	NTR3C21NZT1G
BC857CLT1G	MGSF1N03LT1G	MMBZ5232BLT1G	NTR3C21NZT3G
BC857CLT3G	MGSF2N02ELT1G	MMBZ5233BLT1G	NTR4003NT1G
BC858ALT1G	MMBD101LT1G	MMBZ5234BLT1G	NTR4003NT3G
BC858BLT1G	MMBD2835LT1G	MMBZ5235BLT1G	NTR4101PT1G
BC858BLT3G	MMBD2836LT1G	MMBZ5236BLT1G	NTR4101PT1H
BC858CLT1G	MMBD2837LT1G	MMBZ5237BLT1G	NTR4170NT1G
BC858CLT3G	MMBD2838LT1G	MMBZ5238BLT1G	NTR4171PT1G
BCW30LT1G	MMBD301LT1G	MMBZ5239BLT1G	NTR4501NST1G
BCW32LT1G	MMBD301LT3G	MMBZ5239ELT1G	NTR4501NT1G
BCW33LT1G	MMBD352LT1G	MMBZ5240BLT1G	NTR4501NT1H
BCW33LT3G	MMBD353LT1G	MMBZ5241BLT1G	NTR4502PT1G
BCW65ALT1G	MMBD354LT1G	MMBZ5242BLT1G	NTR4503NT1G



BCW65CLT1G	MMBD355LT1G	MMBZ5242BLT3G	NTR4503NT1H
BCW66GLT1G	MMBD452LT1G	MMBZ5242ELT1G	NTR5103NT1G
BCW66GLT3G	MMBD6050LT1G	MMBZ5243BLT1G	NTR5105PT1G
BCW68GLT1G	MMBD6050LT3G	MMBZ5244BLT1G	NTR5125PT1G
BCW68GLT3G	MMBD6100LT1G	MMBZ5245BLT1G	NTR5198NLT1G
BCW70LT1G	MMBD7000LT1G	MMBZ5245ELT1G	NUD3105LT1G
BCW72LT1G	MMBD7000LT3G	MMBZ5246BLT1G	NUD3112LT1G
BCX17LT1G	MMBD701LT1G	MMBZ5247BLT1G	NUD3124LT1G
BCX19LT1G	MMBD914LT1G	MMBZ5248BLT1G	NUD3160LT1G
BSS123LT1G	MMBD914LT3G	MMBZ5248BLT3G	NUP1105LT1G
BSS138LT1G	MMBF0201NLT1G	MMBZ5248ELT1G	NUP1301ML3T1G
BSS138LT3G	MMBF170LT1G	MMBZ5249BLT1G	NUP2105LT1G
BSS63LT1G	MMBF4391LT1G	MMBZ5250BLT1G	NUP2115LT1G
BSS64LT1G	MMBF4392LT1G	MMBZ5251BLT1G	NUP2115LT3G
BSS84LT1G	MMBF4393LT1G	MMBZ5252BLT1G	NUP3105LT1G
BSS84LT1H	MMBF4393LT3G	MMBZ5253BLT1G	NUP3105LT3G
BSV52LT1G	MMBFJ175LT1G	MMBZ5254BLT1G	NYC0102BLT1G
BZX84B10LT1G	MMBFJ175LT3G	MMBZ5255BLT1G	NZ23C5V6ALT1G
BZX84B12LT1G	MMBFJ177LT1G	MMBZ5256BLT1G	PACDN042Y3R
BZX84B15LT1G	MMBFJ309LT1G	MMBZ5256ELT1G	SCP51460SN33T1G
BZX84B16LT1G	MMBFJ310LT1G	MMBZ5257BLT1G	SCV809LTRG
BZX84B18LT1G	MMBFJ310LT3G	MMBZ5258BLT1G	SCV809MTRG
BZX84B22LT1G	MMBFU310LT1G	MMBZ5259BLT1G	SCV809RTRG
BZX84B24LT1G	MMBT2222ALT1G	MMBZ5260BLT1G	SCV809STRG
BZX84B27LT1G	MMBT2222ALT3G	MMBZ5261BLT1G	SCV810STRG
BZX84B3V3LT1G	MMBT2222LT1G	MMBZ5261ELT1G	SL05T1G
BZX84B4V7LT1G	MMBT2369ALT1G	MMBZ5263BLT1G	SL12T1G
BZX84B5V1LT1G	MMBT2369LT1G	MMBZ5264BLT1G	SL15T1G
BZX84B5V6LT1G	MMBT2369LT3G	MMBZ5268BLT1G	SL24T1G
BZX84B6V2LT1G	MMBT2484LT1G	MMBZ5270BLT1G	SM05T1G
BZX84B6V8LT1G	MMBT2484LT3G	MMBZ5V6ALT1G	SM12T1G
BZX84B7V5LT1G	MMBT2907ALT1G	MMBZ5V6ALT3G	SM15T1G
BZX84B8V2LT1G	MMBT2907ALT3G	MMBZ6V2ALT1G	SM24T1G
BZX84B9V1LT1G	MMBT3416LT3G	MMBZ6V8ALT1G	SM36T1G
BZX84C10LT1G	MMBT3904LT1G	MMBZ9V1ALT1G	SSBC857BLT1G
BZX84C11LT1G	MMBT3904LT3G	MMUN2111LT1G	STR4171PT1G
BZX84C12LT1G	MMBT3906LT1G	MMUN2111LT3G	SYC0102BLT1G
BZX84C13LT1G	MMBT3906LT1H	MMUN2112LT1G	TLV431CSN1T1G
BZX84C15LT1G	MMBT3906LT3G	MMUN2113LT1G	



List of Affected Customer Specific Parts:

NOTE: Please be informed that parts impacted by this PDN/PCN are Special/Customer specific parts, thus MPN & CPN info will be available to affected customers only by clicking the ["Custom PCN for Selected Company Button"](#) in the Document Analysis page of PCMS/PCN Alert.