

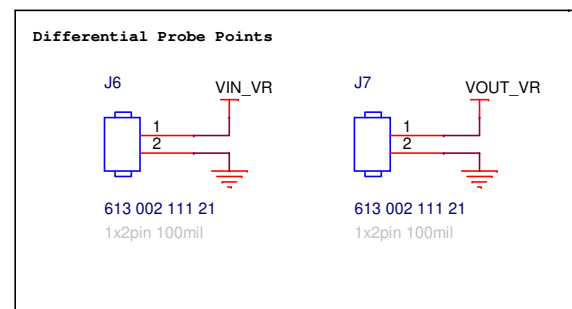
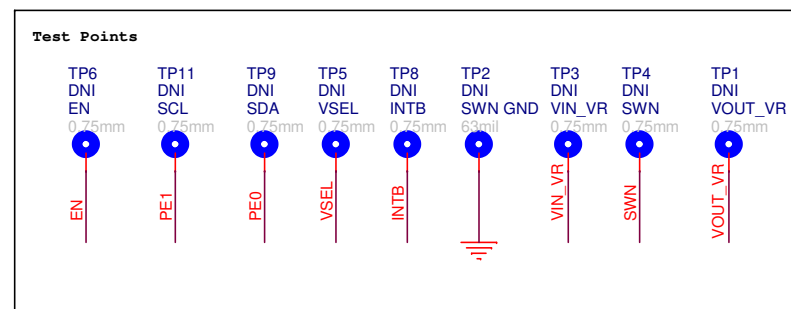
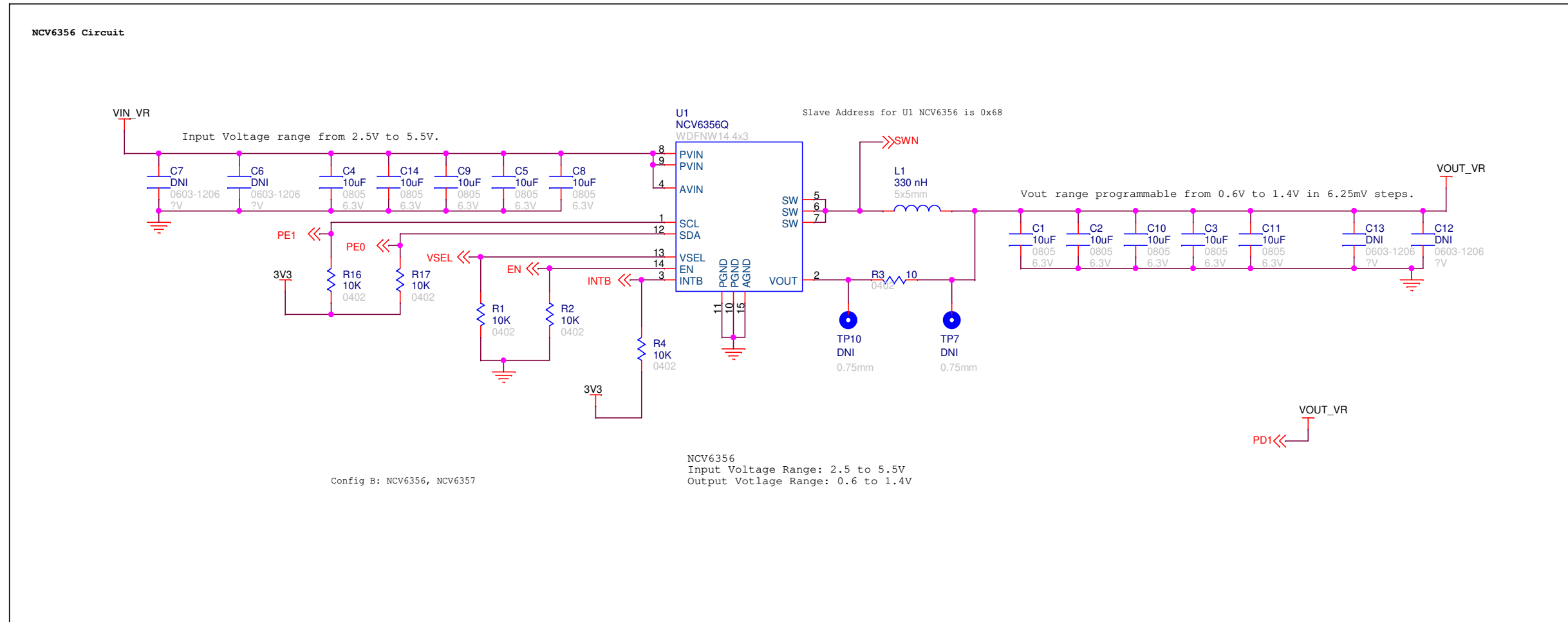


ON Semiconductor®
5A Switcher

<Core Design>

ON Semiconductor		
Title 5A Switcher		
Size Custom	Document Number ONSEC-18-015	Rev REV1
Date:	Wednesday, January 16, 2019	Sheet 1 of 4

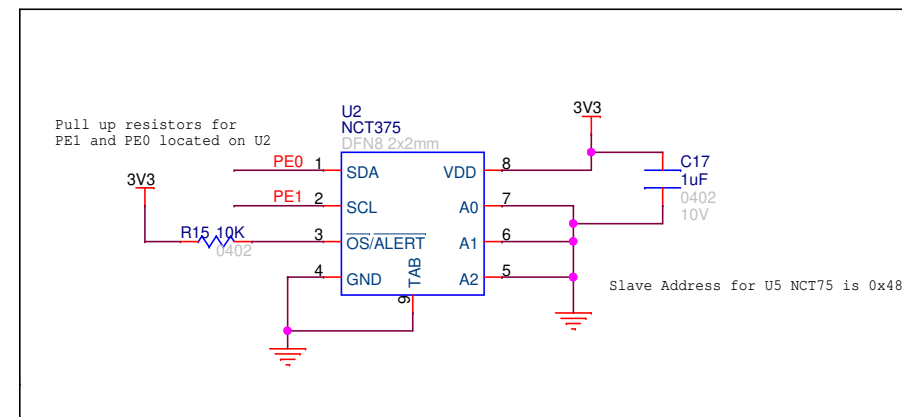
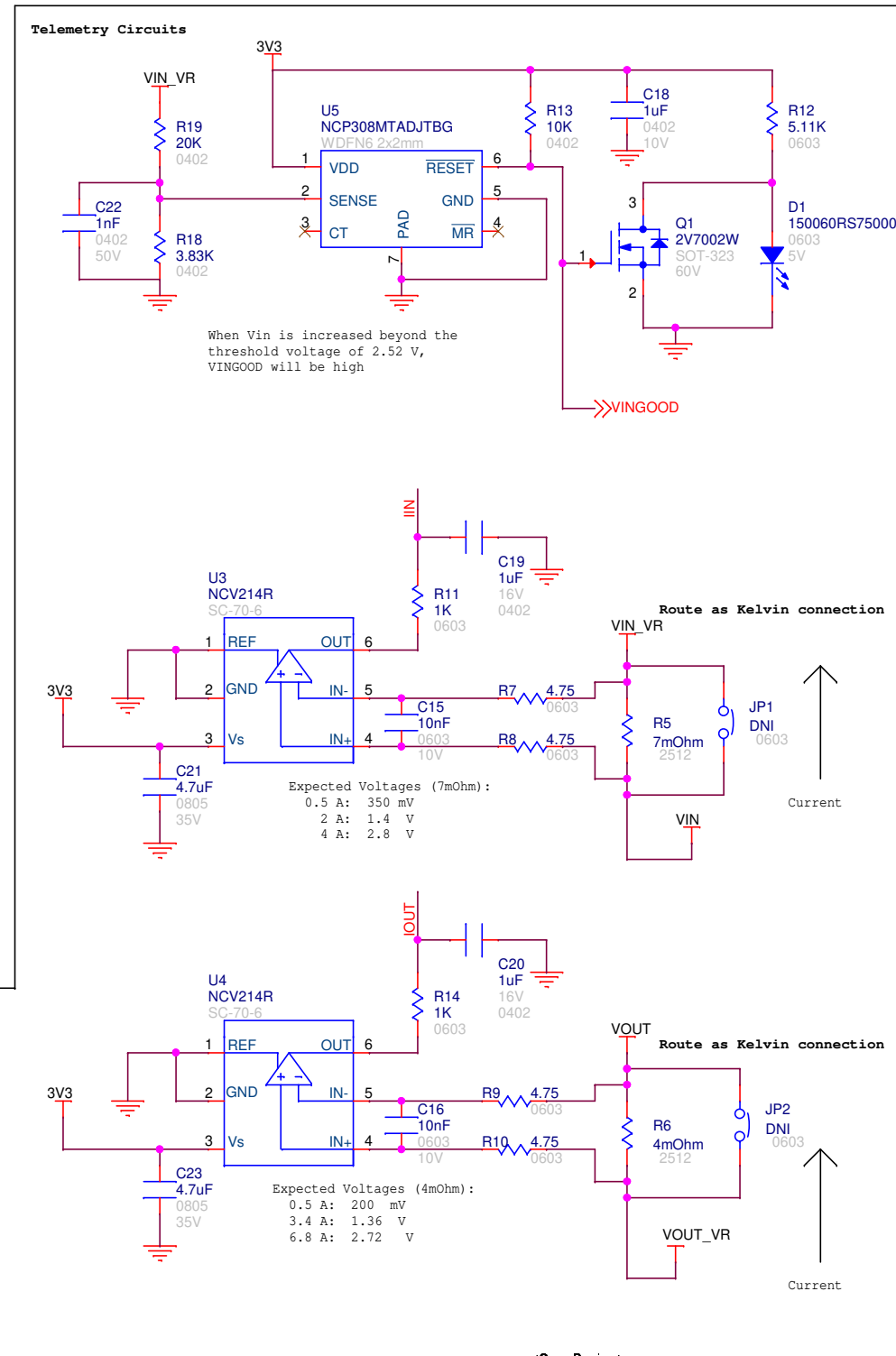
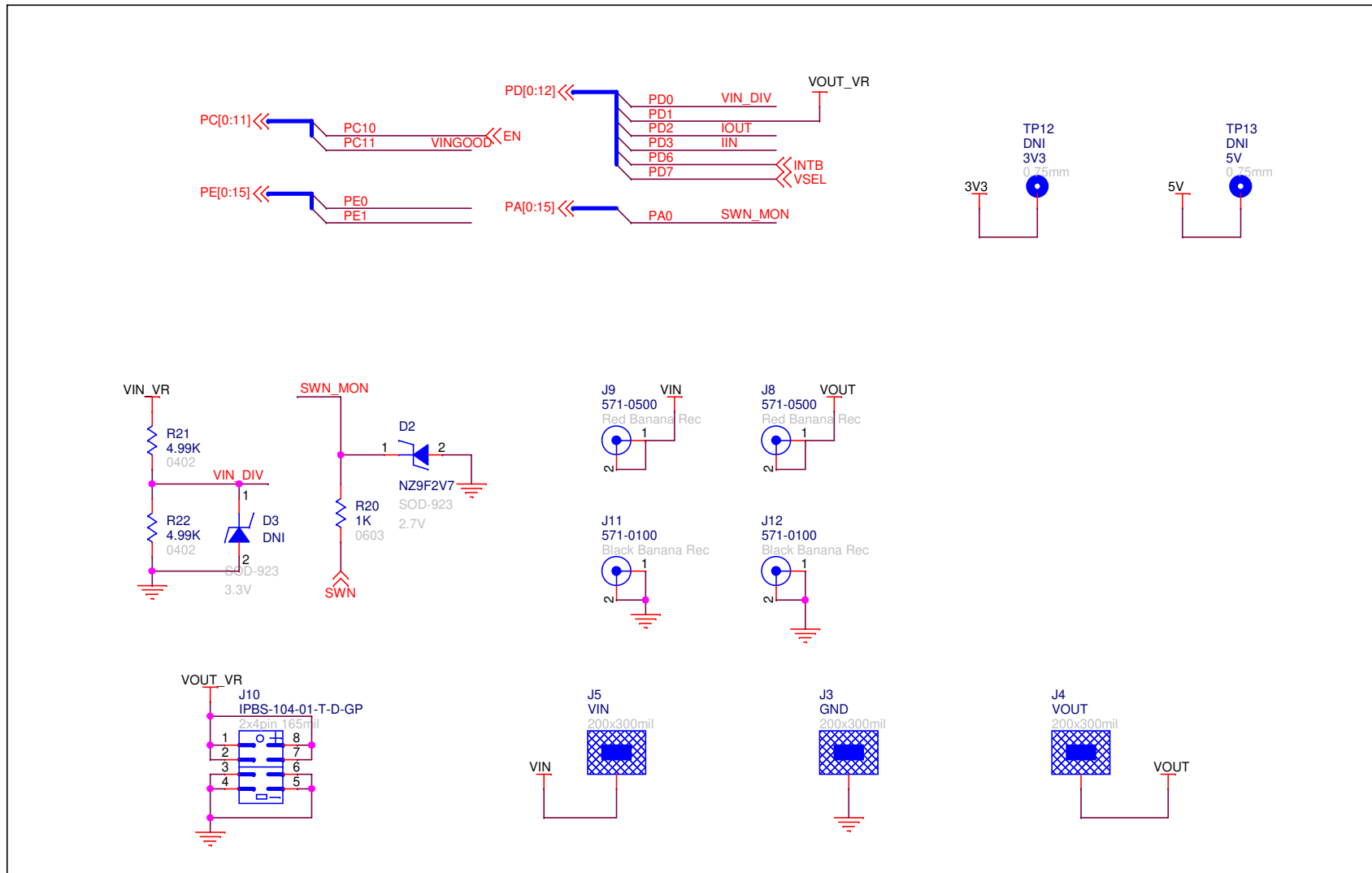
5A Switcher NCV6356



<Core Design>

ON Semiconductor		
Title 5A Switcher NCV6356		
Size Custom	Document Number ONSEC-18-015	Rev REV1
Date:	Thursday, February 14, 2019	Sheet 2 of 4

Telemetry / Connectors

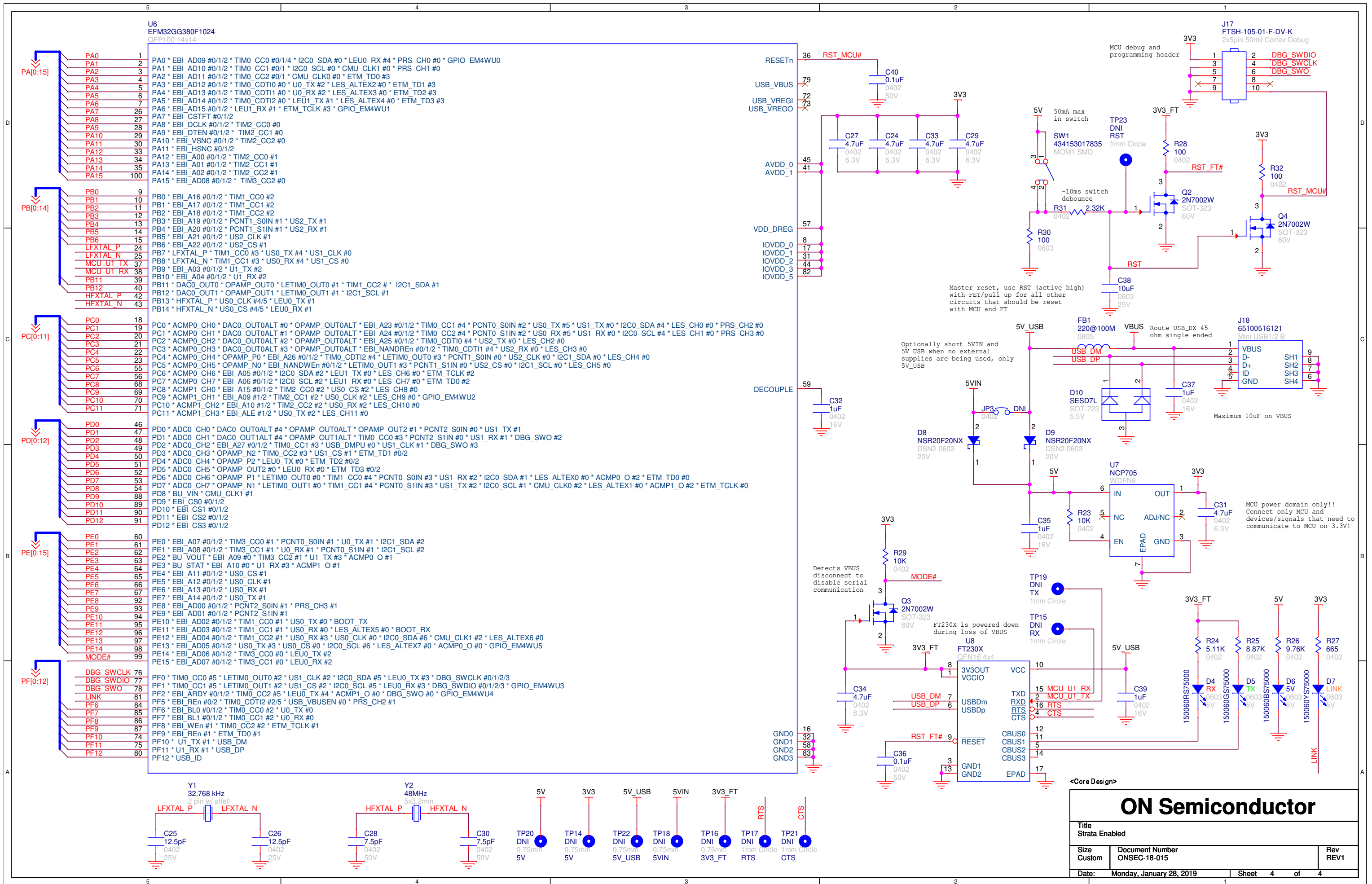


ON Semiconductor

Title
Strata Assisted

Size Custom	Document Number ONSEC-18-015	Rev REV1
----------------	---------------------------------	-------------

Date: Wednesday, February 20, 2019 Sheet 3 of 4



ON Semiconductor		
Title Strata Enabled		
Size Custom	Document Number ONSEC-18-015	Rev REV1
Date: Monday, January 28, 2019	Sheet 4 of 4	Rev REV1