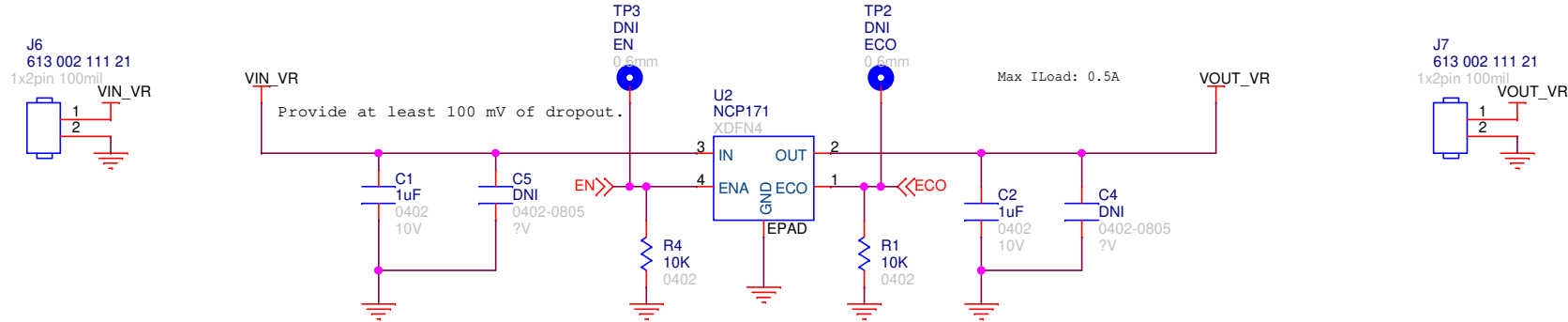




ON Semiconductor®
XDFN4 LDO

ON Semiconductor		
Title XDFN4 LDO		
Size Custom	Document Number ONSEC-18-016	Rev REV1
Date:	Monday, January 28, 2019	Sheet 1 of 4

XDFN4 LDO CASE 711BC

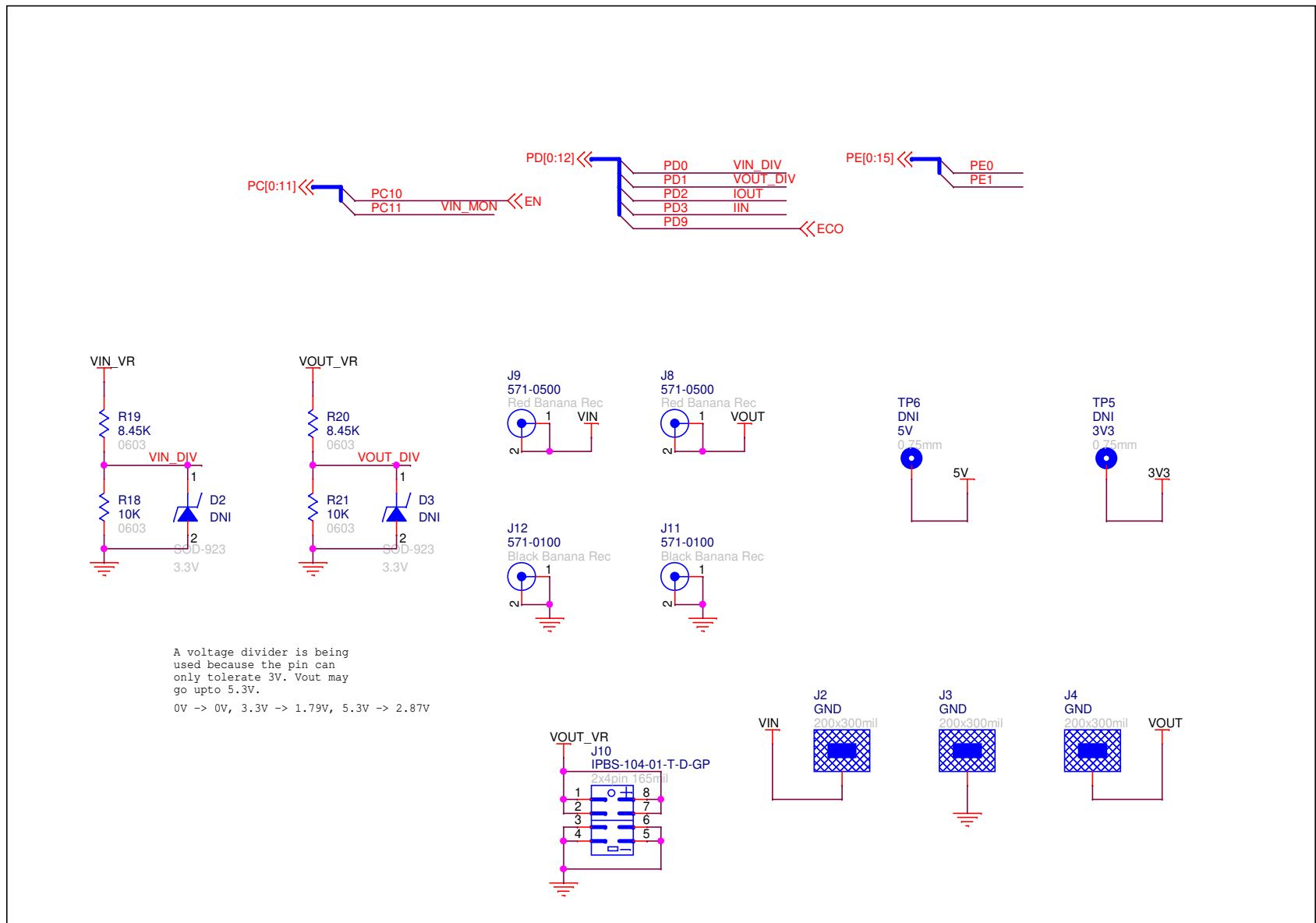


NCP171AMX120100TCG
 Vout in Active Power Mode = 1.2V
 Vout in Low Power Mode = 1.0V
 Imax = 80mA

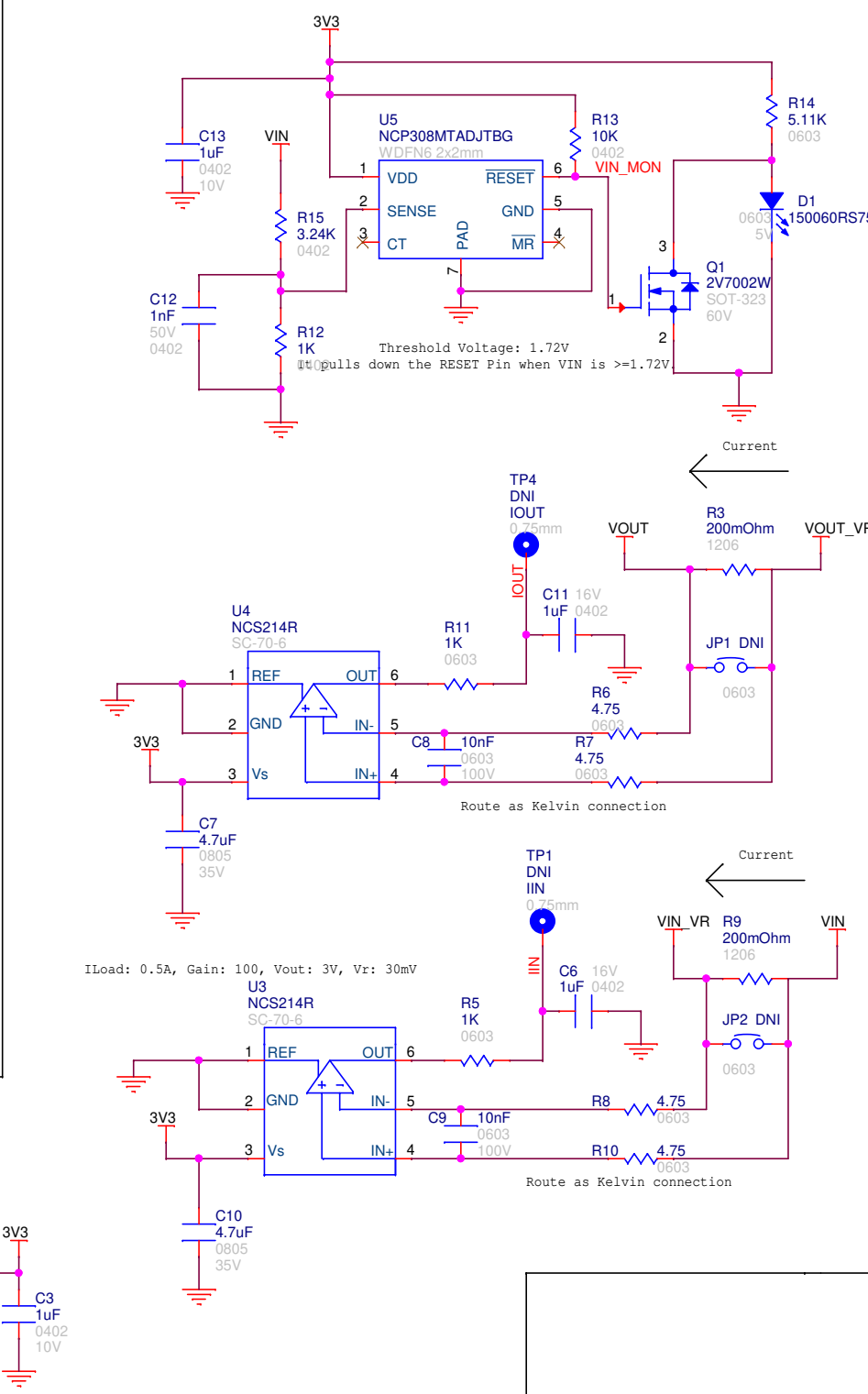
Config B board tests LDOs that offer a low power mode.
 The parts compatible with this board are:
 CONFIG B LDOs: NCP171

ON Semiconductor		
Title XDFN4 LDO		
Size Custom	Document Number ONSEC-18-016	Rev REV1
Date:	Wednesday, March 13, 2019	Sheet 2 of 4

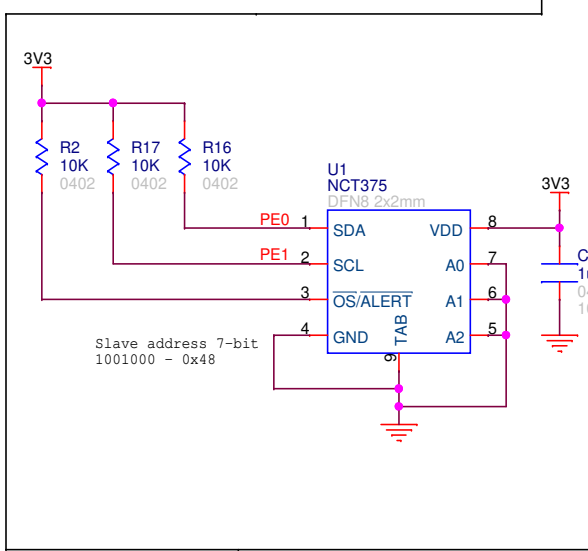
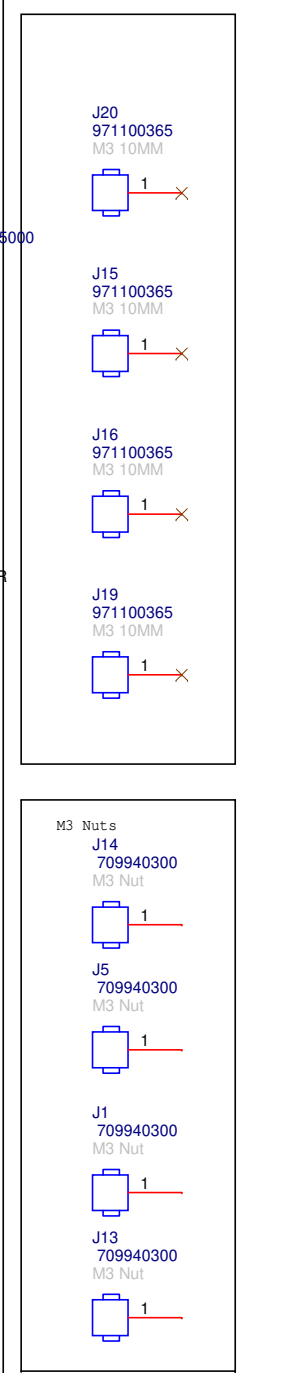
Telemetry / Connectors



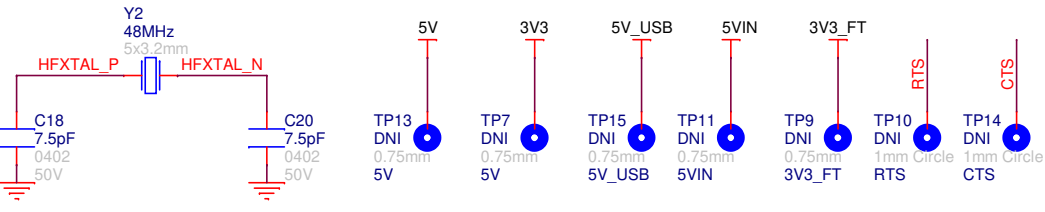
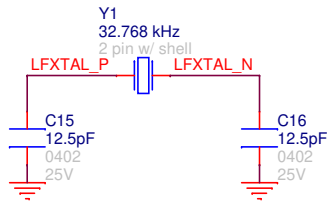
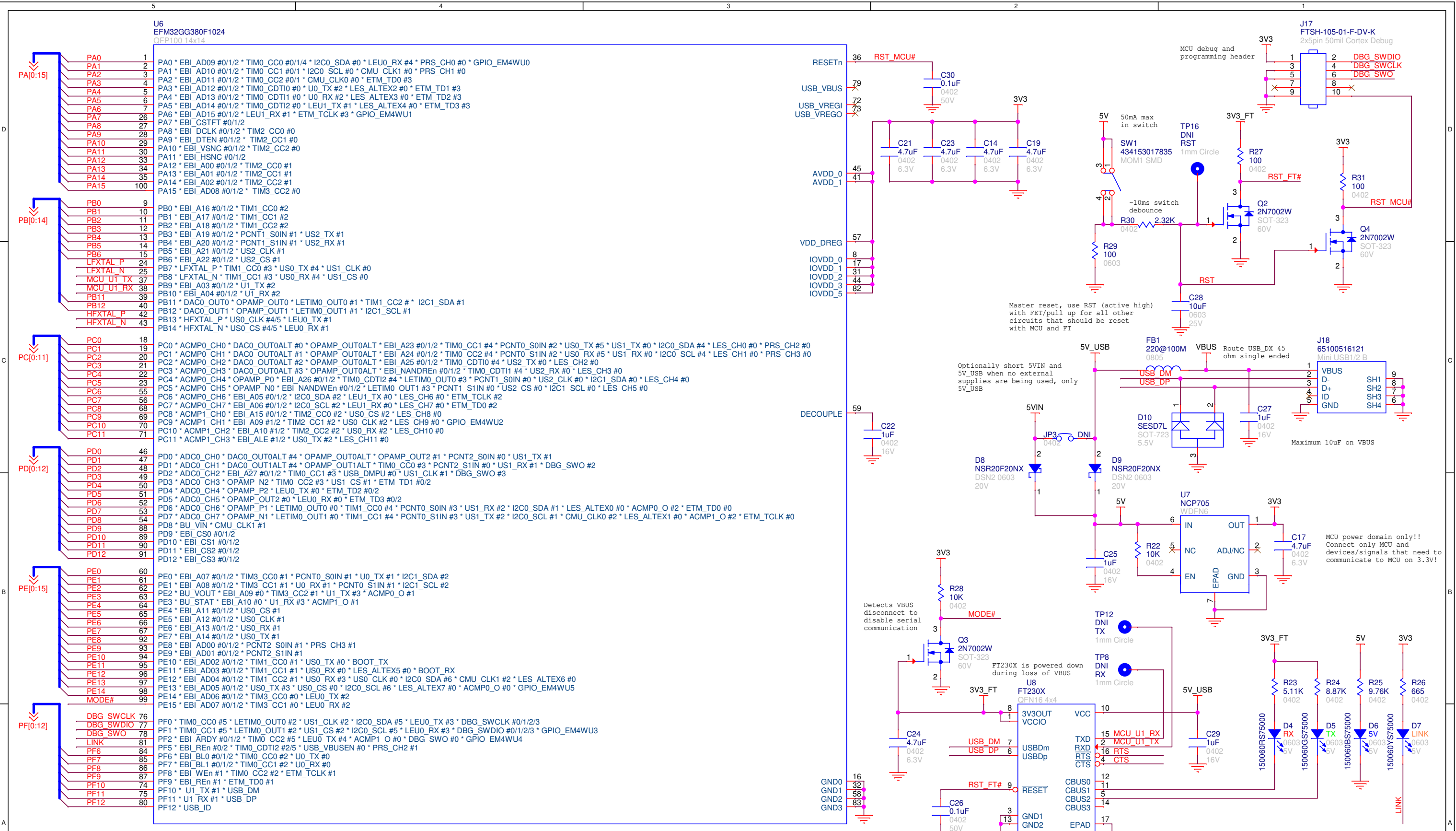
Telemetry Circuits



Mounting Holes



ON Semiconductor		
Title XDFN4 LDO		
Size Custom	Document Number ONSEC-18-016	Rev REV1
Date: Wednesday, March 13, 2019	Sheet 3 of 4	



ON Semiconductor		
Title: XDFN4 LDO		
Size: Custom	Document Number: ONSEC-18-016	Rev: REV1
Date: Wednesday, January 30, 2019	Sheet: 4 of 4	