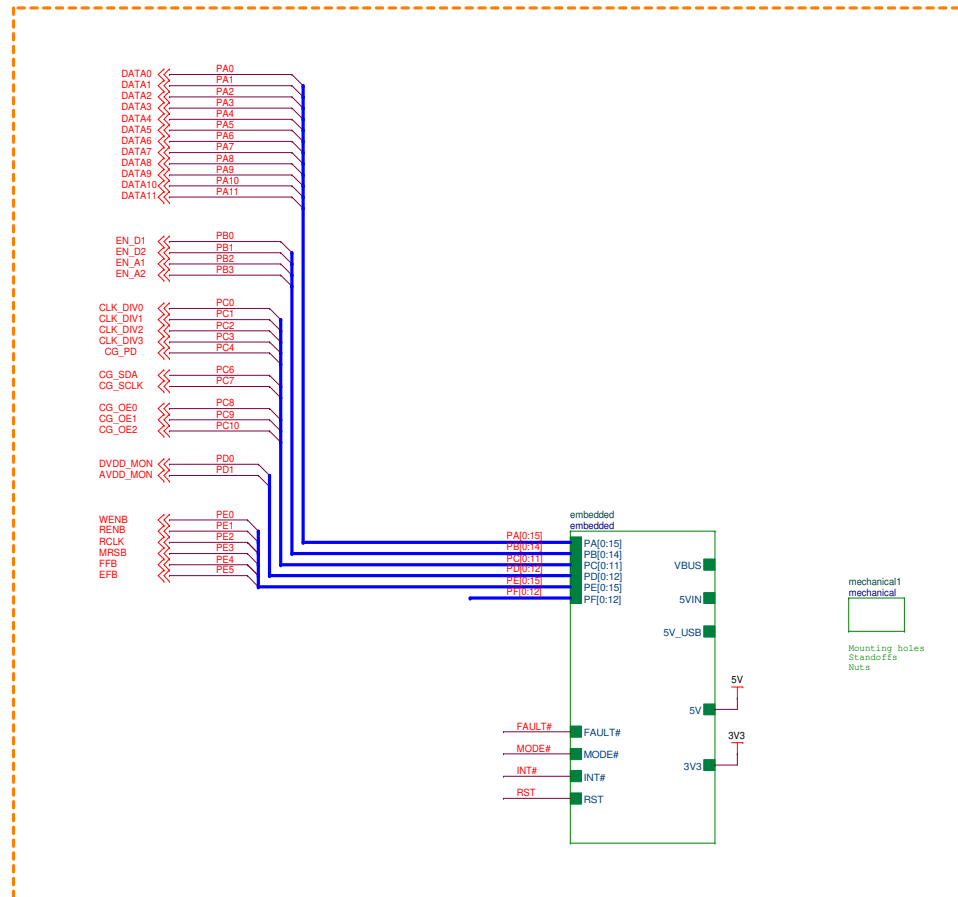
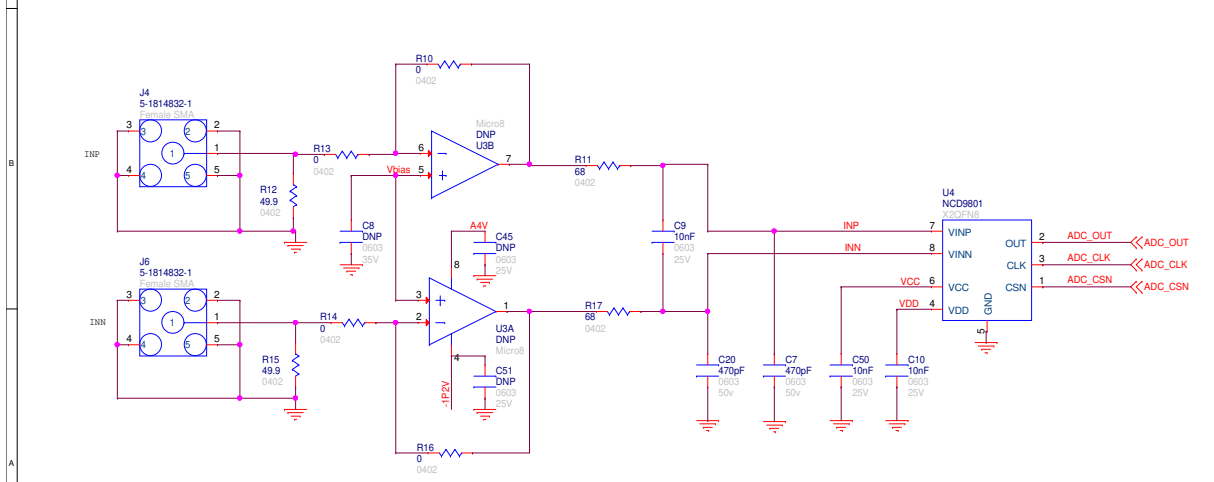
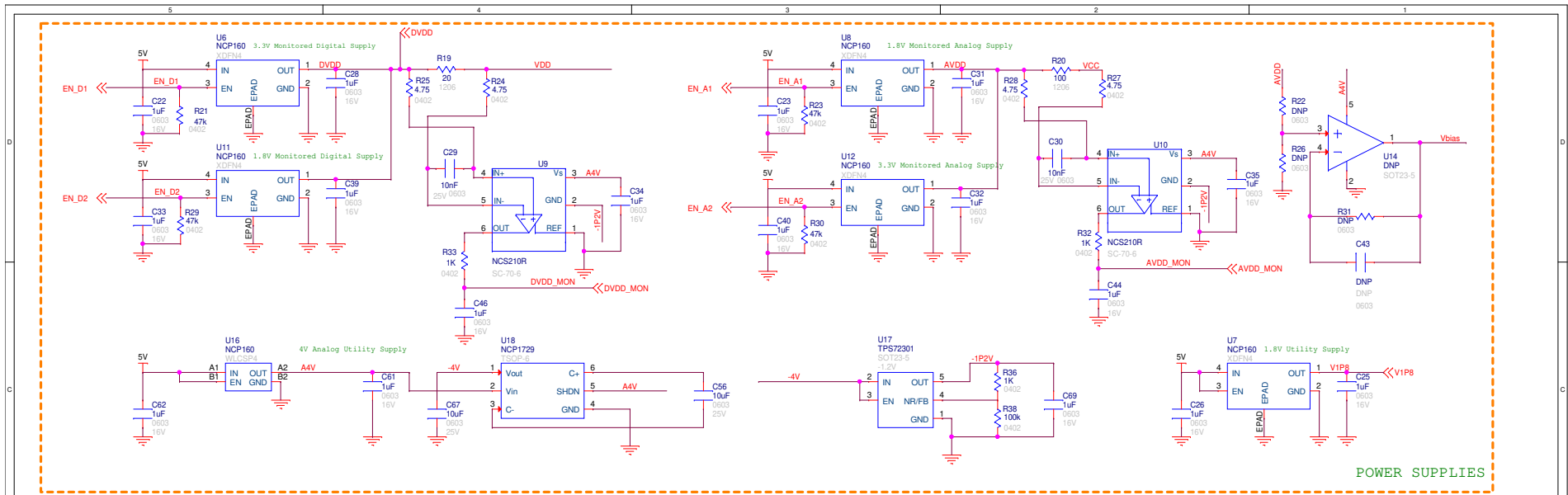


ON Semiconductor		
Title NCD98010 Evaluation Board (Acquisition Circuitry)		
Size Custom	Document Number ONSEC-19-006	Rev REV0
Date: Thursday, September 12, 2019 Sheet 1 of 5		

Embedded Interface



ON Semiconductor		
Title Embedded Interface		
Size Custom	Document Number ONSEC-19-006	Rev REVX
Date Monday, September 09, 2019	1	Sheet 2 of 5



Comment Legend

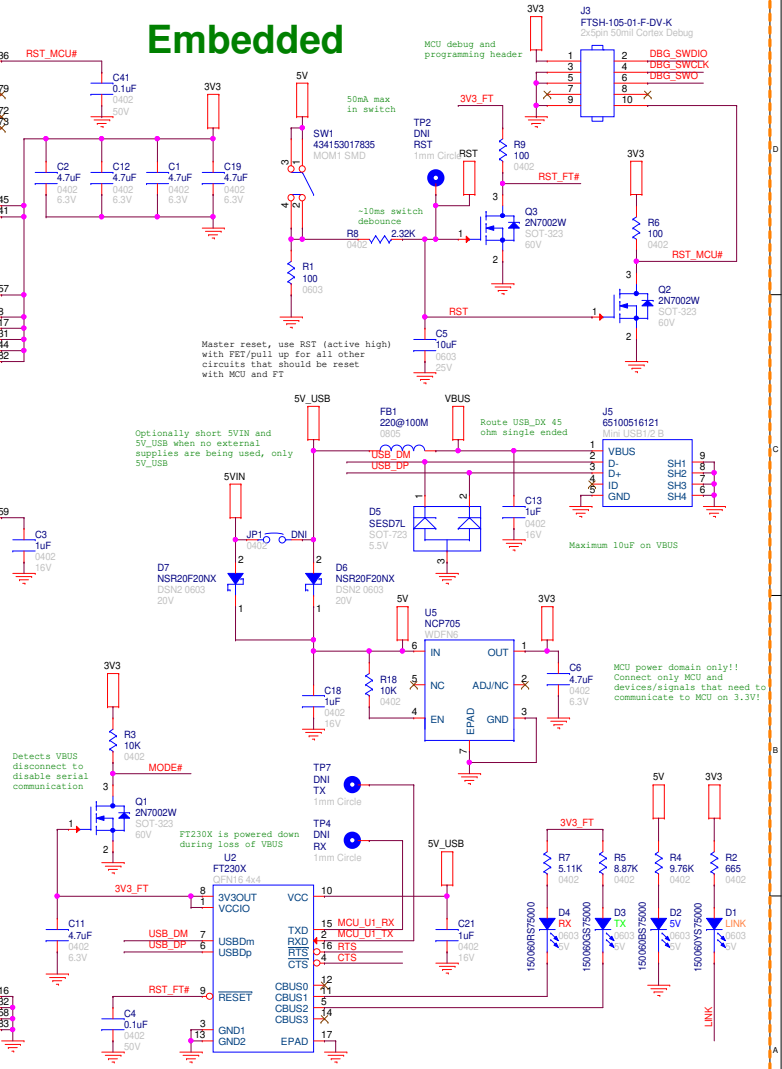
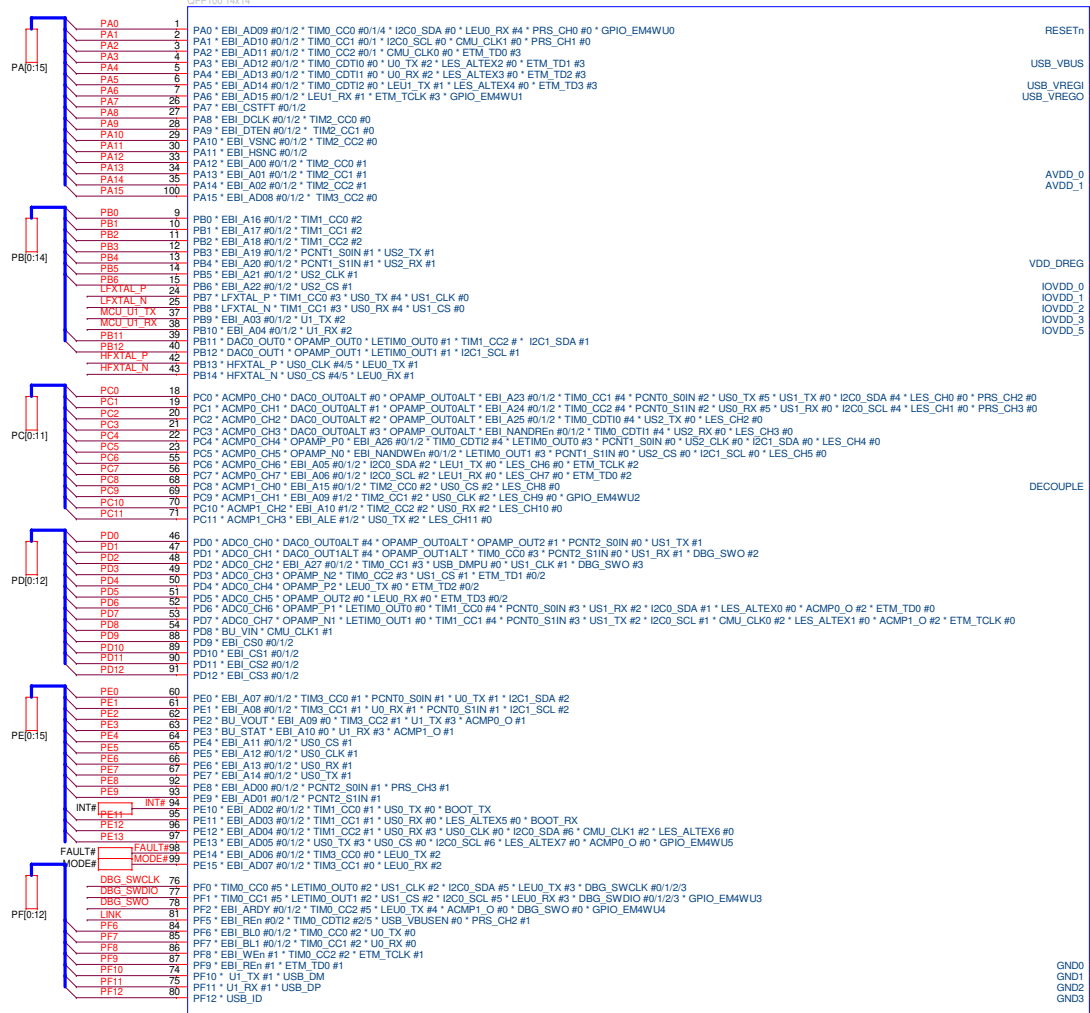
- Description
- Optional
- Not Required

NCD9801 SAR ADC

ON Semiconductor		
Title NCD98010 Evaluation Board (DUT / Supplies)		
Size Custom	Document Number ONSEC-19-006	Rev REV0
Date: Thursday, September 12, 2019	Sheet 3	of 5

Embedded

U1
EFM32GG380F1024
QFP100 14x14



Master reset, use RST (active high) with FT/pull up for all other circuits that should be reset with MCU and FT

Optionally short 5VIN and 5V_USB when no external supplies are being used, only 5V_USB

MCU power domain only!! Connects only MCU and devices/signals that need to communicate to MCU on 3.3V!

ON Semiconductor

Title	Embedded	
Size	Document Number	Rev
Custom	ONSEC-19-008	1.0
Date:	Monday, September 09, 2019	Sheet 4 of 9

Mounting Holes, Standoffs, and Nuts



ON Semiconductor		
Title Mounting Holes, Standoffs, and Nuts		
Size Custom	Document Number ONSEC-19-006	Rev REV0
Date Monday, September 09, 2019	Sheet 5	of 5