
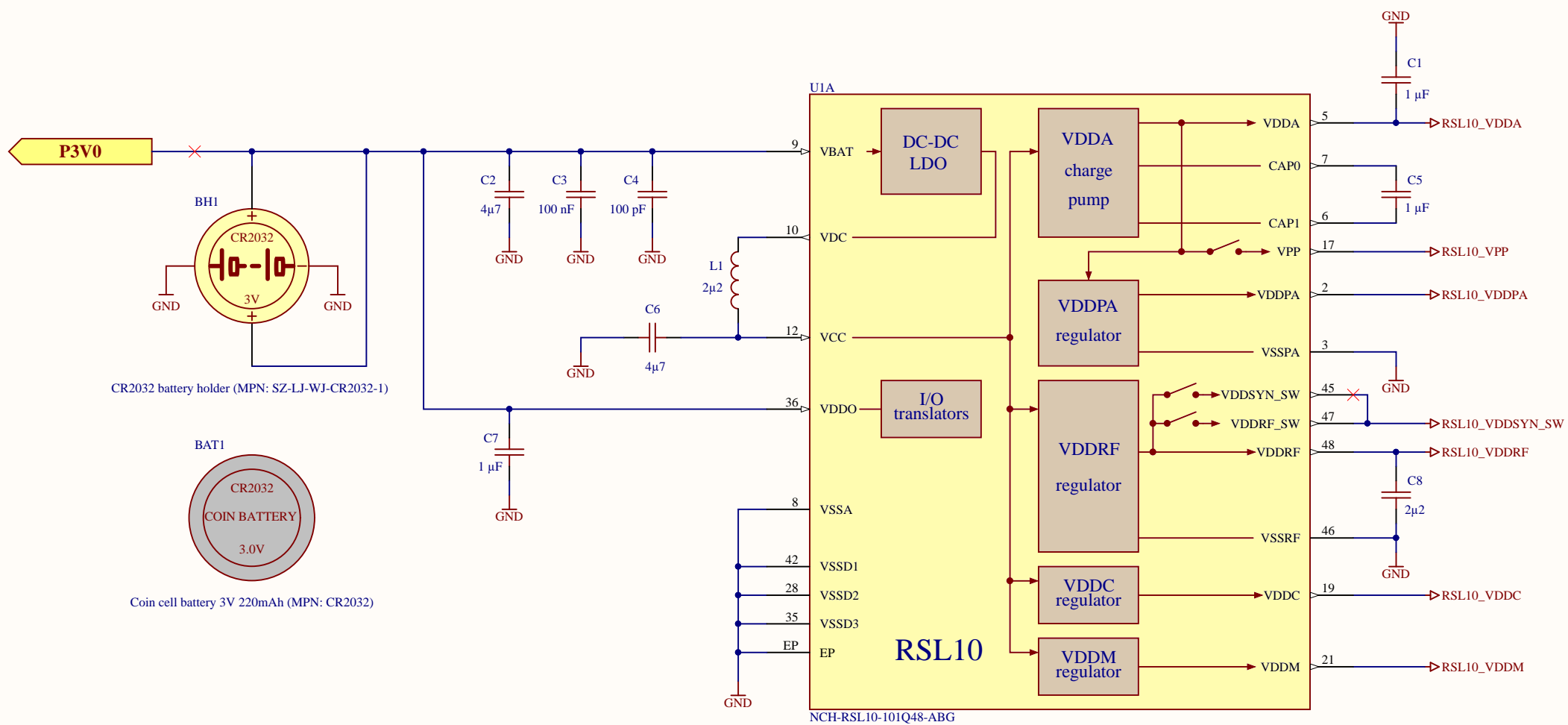


RSL10-COIN-GEVB		Assembly variant:	State:
Block diagram		standard_board	released
Revision: 0.1	Repository revision: Not in version control		ON Semiconductor Solution Engineering Center Piešťany
Engineer: Tomas Duris	16.Jan 2019 16:55		
File: RSL10_COIN_GEVb.SchDoc	1/3		





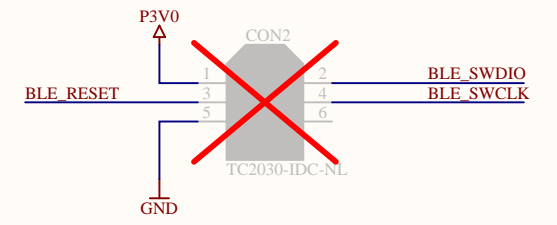
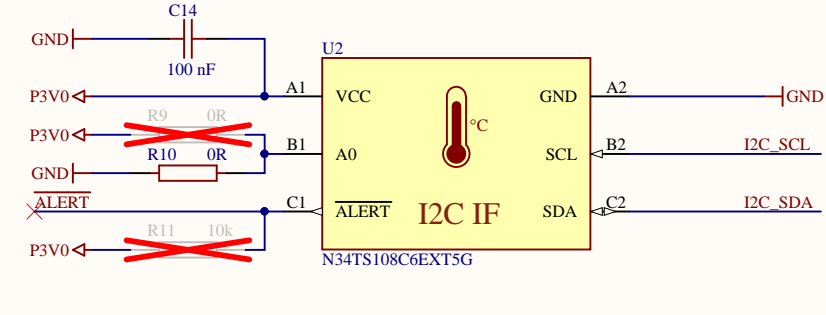
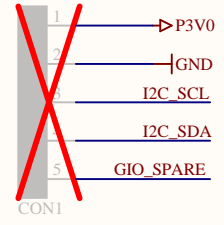
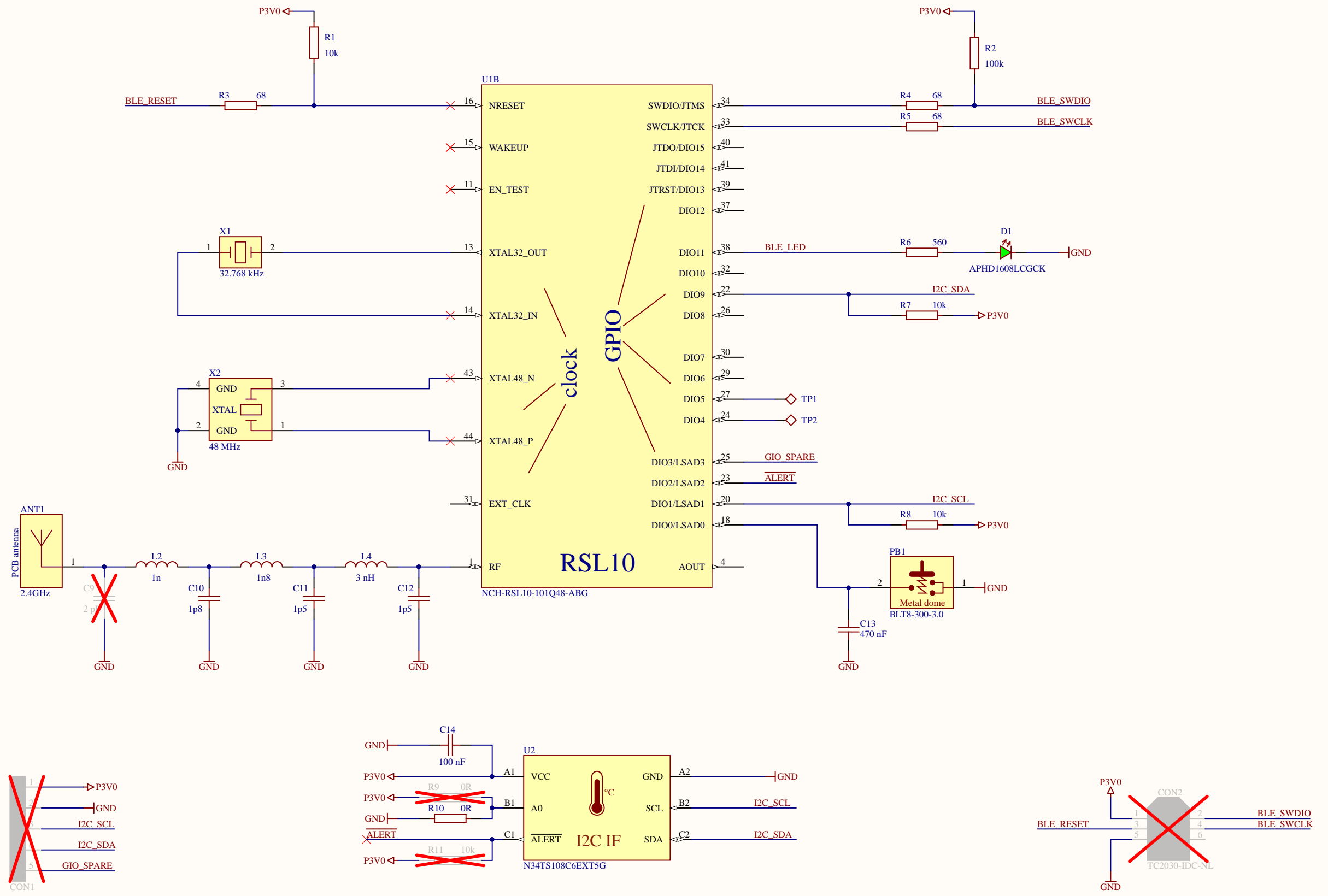
CR2032 battery holder (MPN: SZ-LJ-WJ-CR2032-1)

BAT1
Coin cell battery 3V 220mAh (MPN: CR2032)

Note: There is no physical negative pad/pin connection to ground (GND) on the battery holder BH1. The BH1 is connected to GND via the metal dome push button PB1. The PB1 is intended as an optional programmable push button.

RSL10-COIN-GEVB		Assembly variant:	State:
<i>BLE power supply</i>		<i>standard_board</i>	<i>released</i>
Revision: 0.1	Repository revision: Not in version control		ON Semiconductor Solution Engineering Center Piešťany
Engineer: Tomas Duris	16.Jan 2019 16:55		
File: RSL10_COIN_GEVb_power_management.SchDoc	2/3		





0x48 serial bus address
0x49 optional serial bus address

RSL10-COIN-GEVB BLE signals+SW debug, temperature sensor		Assembly variant: standard_board	State: released
Revision: 0.1	Repository revision: Not in version control		ON Semiconductor Solution Engineering Center Piešťany
Engineer: Tomas Duris	16.Jan 2019 16:55		
File: RSL10_COIN_GEVB_signals.SchDoc	3/3		