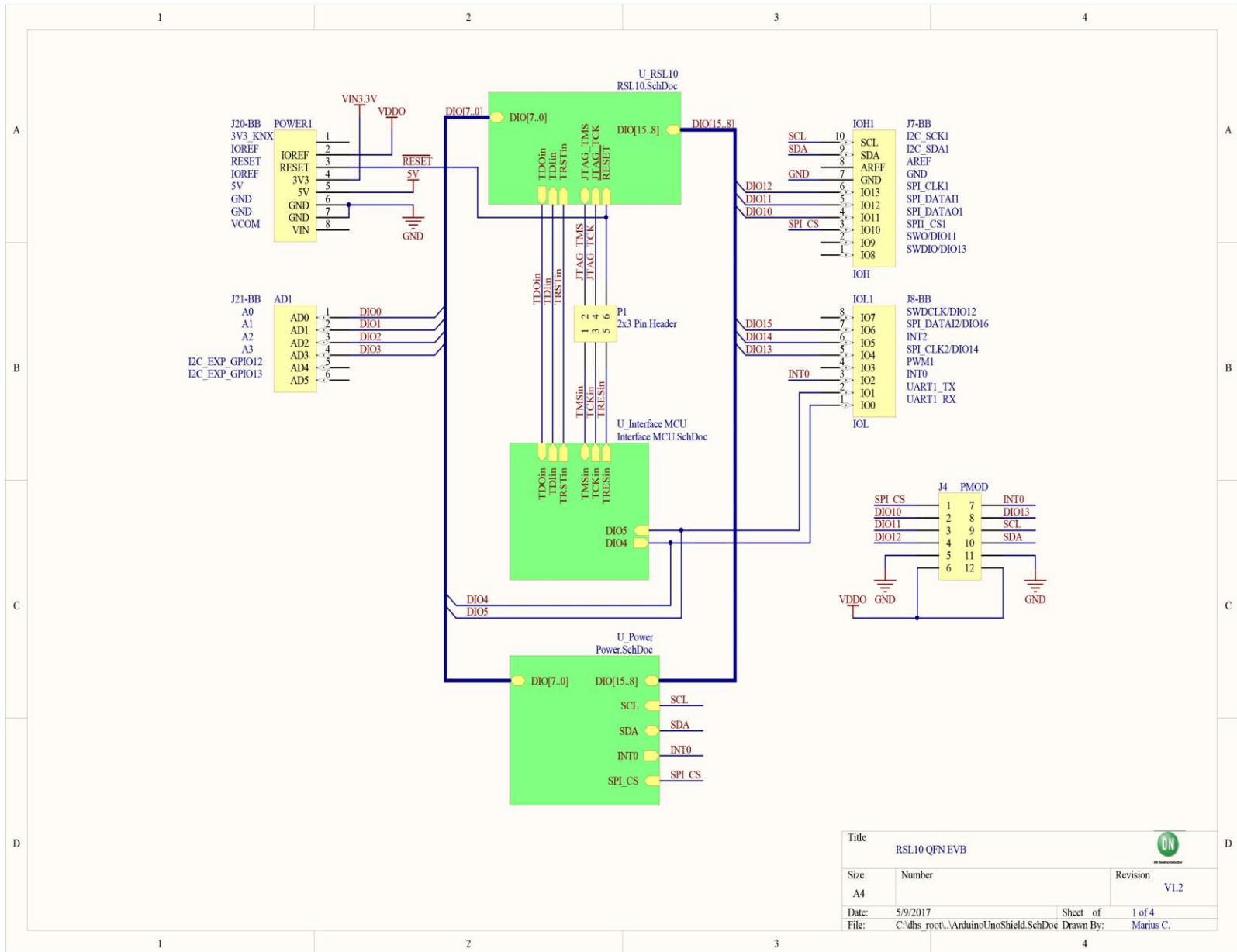
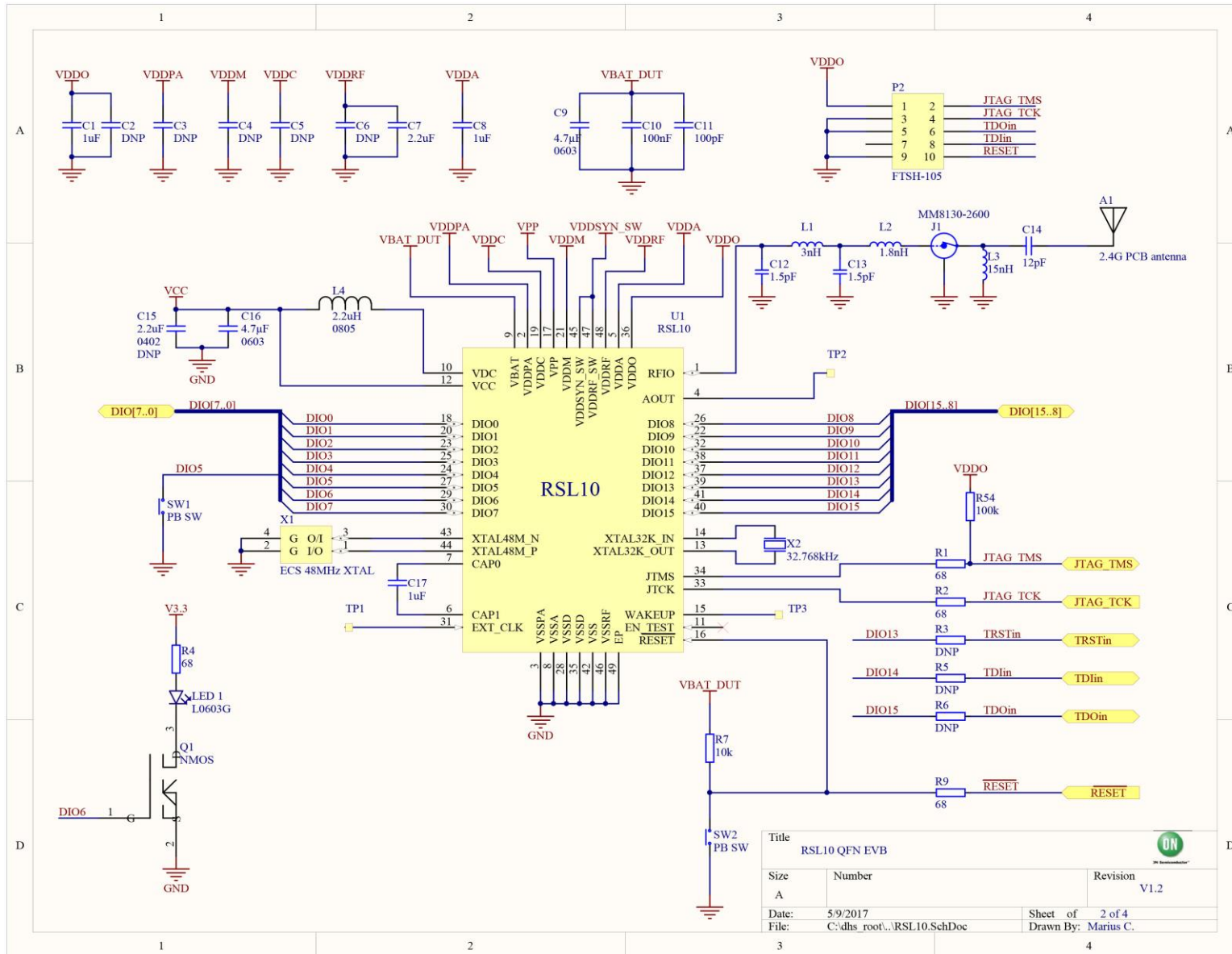


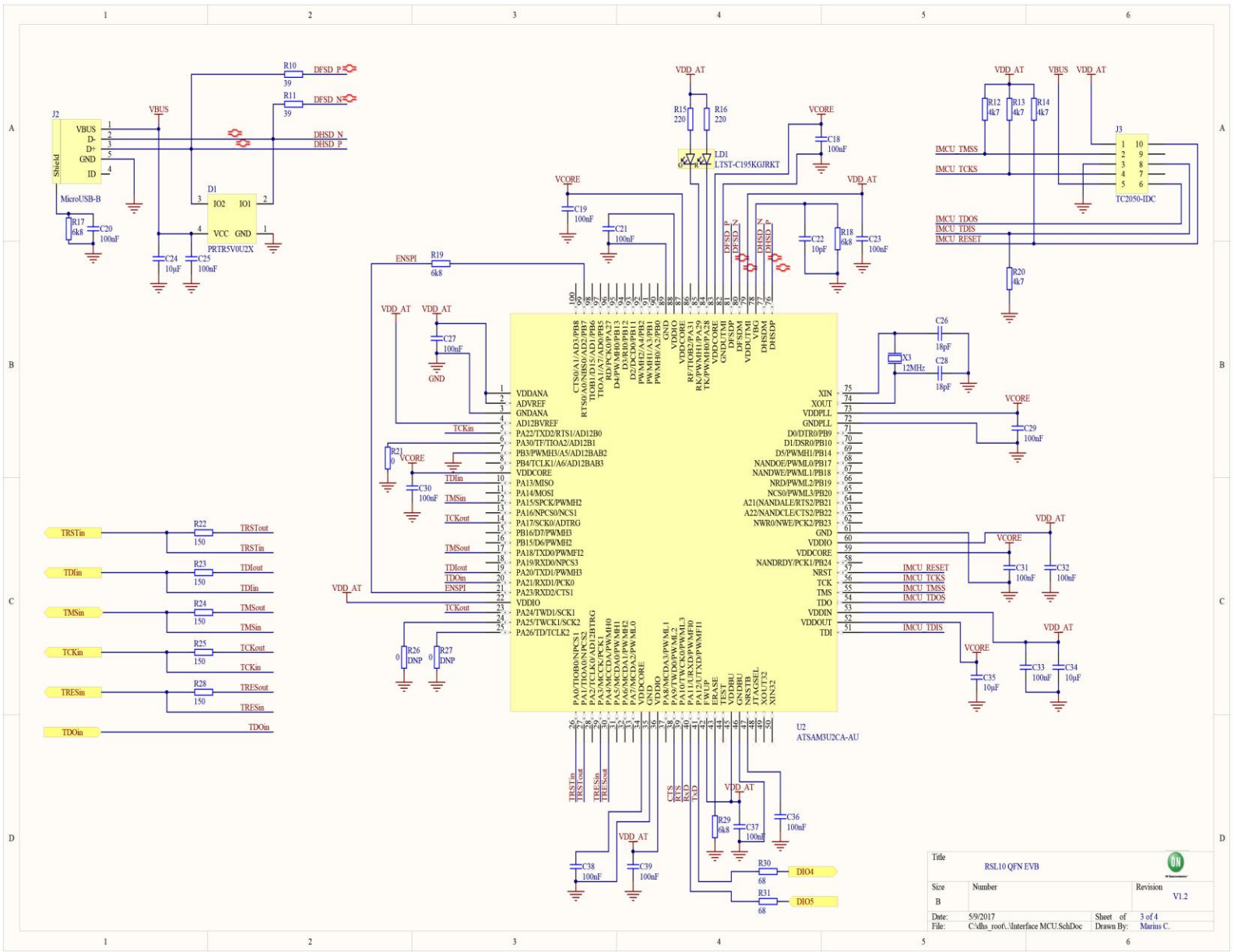


Schematic for the RSL10-002GEVB Evaluation Board

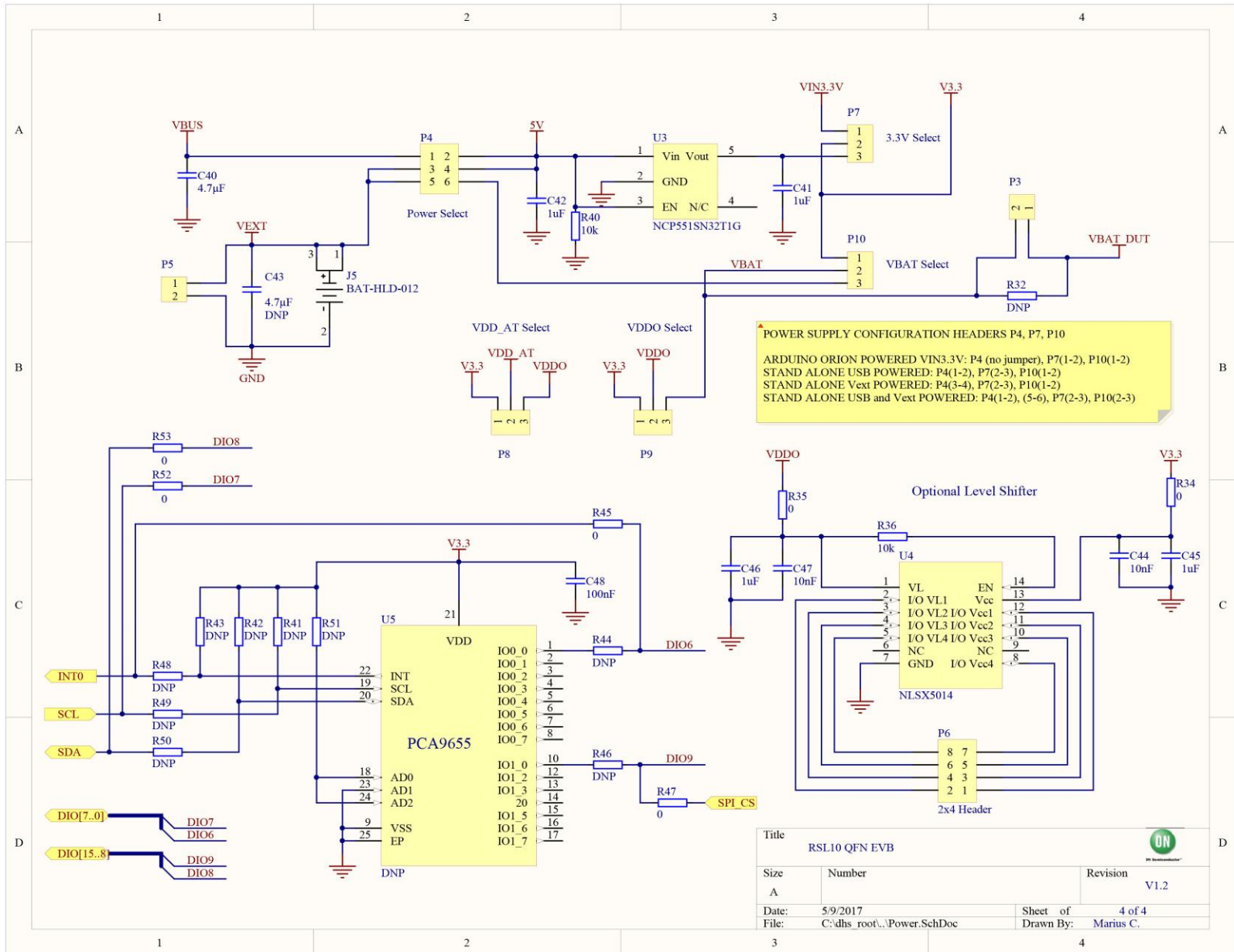


Title		RSL10 QFN EVB	
Size	Number	Revision	V1.2
Date:	5/9/2017	Sheet of	1 of 4
File:	C:\dhs_root\ArduinoUnoShield.SchDoc	Drawn By:	Marius C.





Title		RSL10 QFN EVB	
Size	Number	Revision	V1.2
B			
Date:	5/9/2017	Sheet of	3 of 4
File:	C:\ds_root\Interface MCU\Sch.Dwg	Drawn By:	Marius C.



Title			RSL10 QFN EVB		
Size	Number	Revision		V1.2	
A					
Date:	5/9/2017	Sheet of	4 of 4		
File:	C:\dhs_root\Power\SchDoc	Drawn By:	Marius C.		