

1

2

3

4

A

A

B

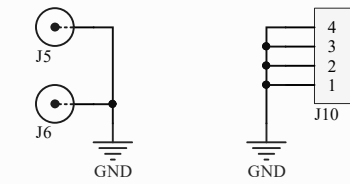
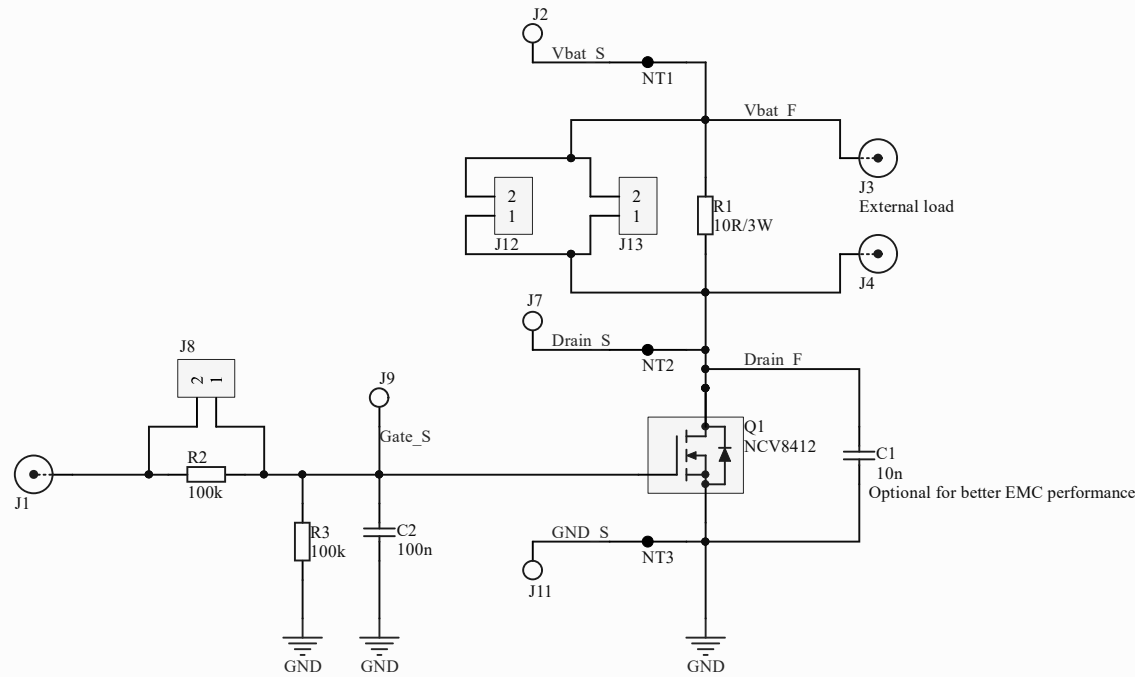
B

C

C

D

D



Title <b>NCV8412[SOT-223]Demo Board</b>		
Size <b>A4</b>	Document Number <b>BA03580D</b>	Rev <b>O</b>
Date: 4/2/2020 14:30:45	Sheet 1 of 2	
File: NCV841x SOT-223 Demo Board.SchDoc Drawn by: Gabor Bernath		

1

2

3

4