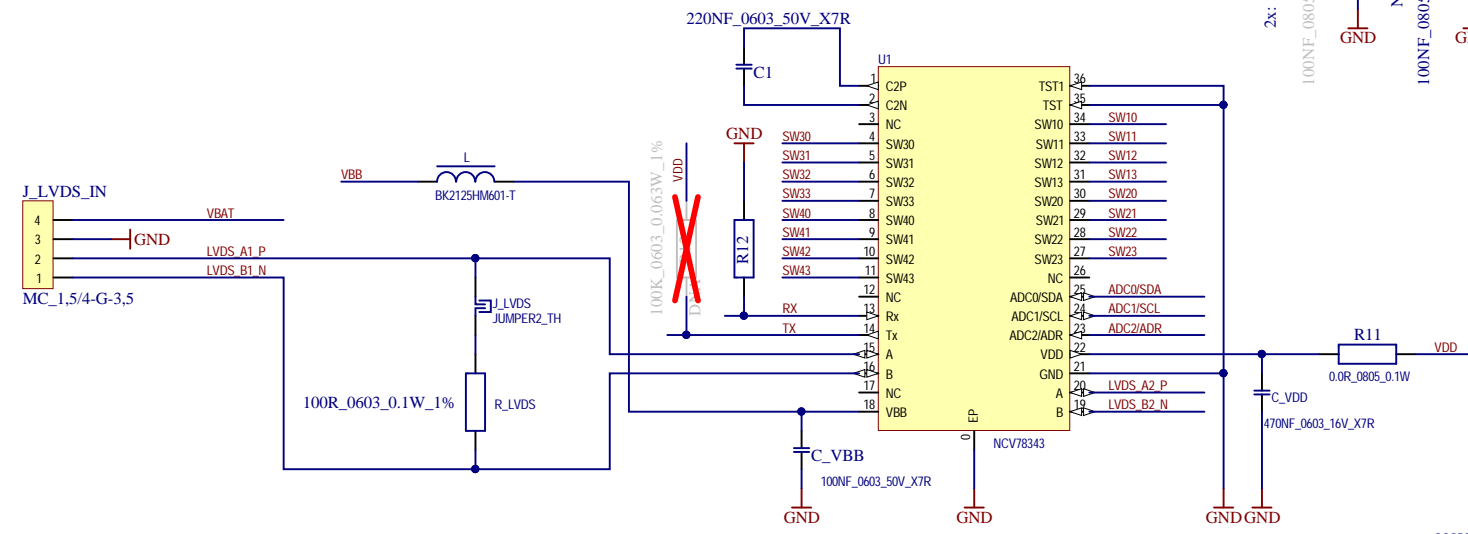
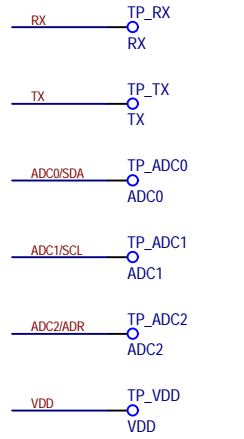
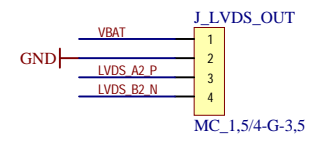
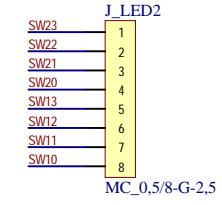
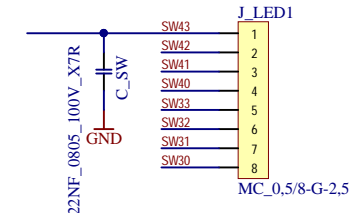
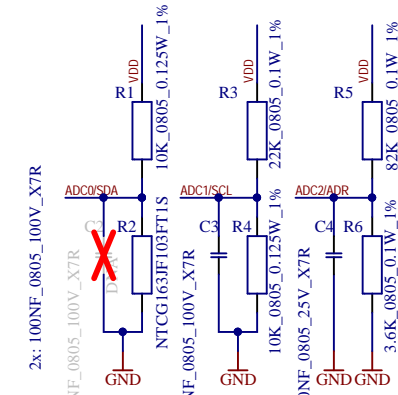
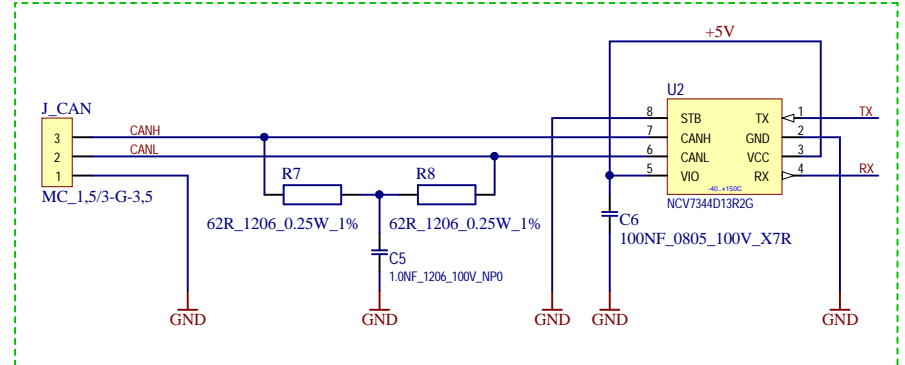


R5, R6 optional, based on address ratio

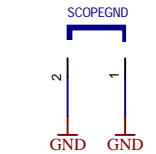


UART OVER CAN PHY



CONFIGURATION SHEET

- 1. configuration: CAN --> UART
 Assembly: R13
 Do not assembly: R12
- 2. configuration: Only LVDS
 Assembly: R12
 Do not assembly: R13



ON SEMICONDUCTOR					
Automotive Products Division		Videnska 204/125		619 00Brno Czech Republic	
PROJECT NCV78343 EVK			VARIANT L343_DB_V2		
SCHEMATIC L343_DB_V2.SchDoc					
CUSTOMER ON Semiconductor			AUTHOR Andrej Vlasaty		
Size A4	REV. A	SHEET No. 1	TOTAL SHEETS 1	TIMESTAMP 25-Jun-20 09:20:37	