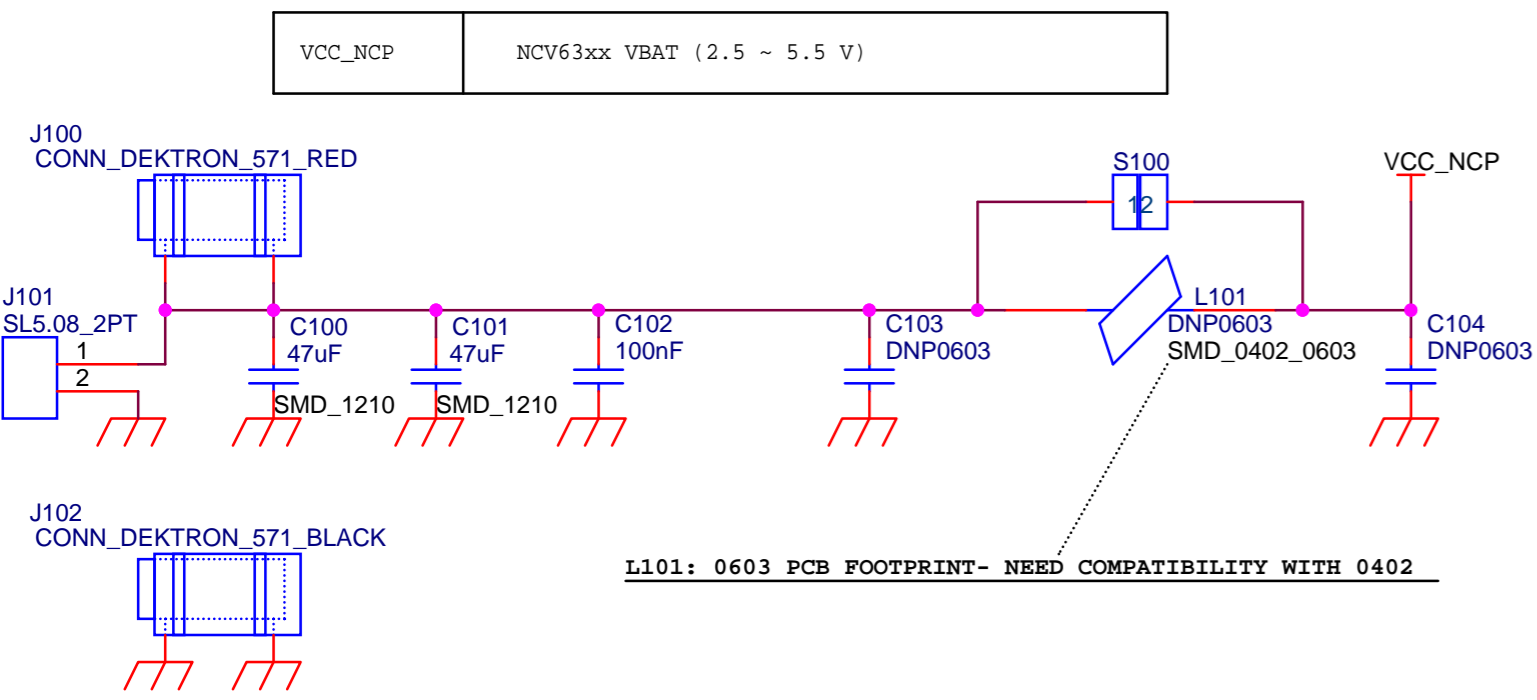
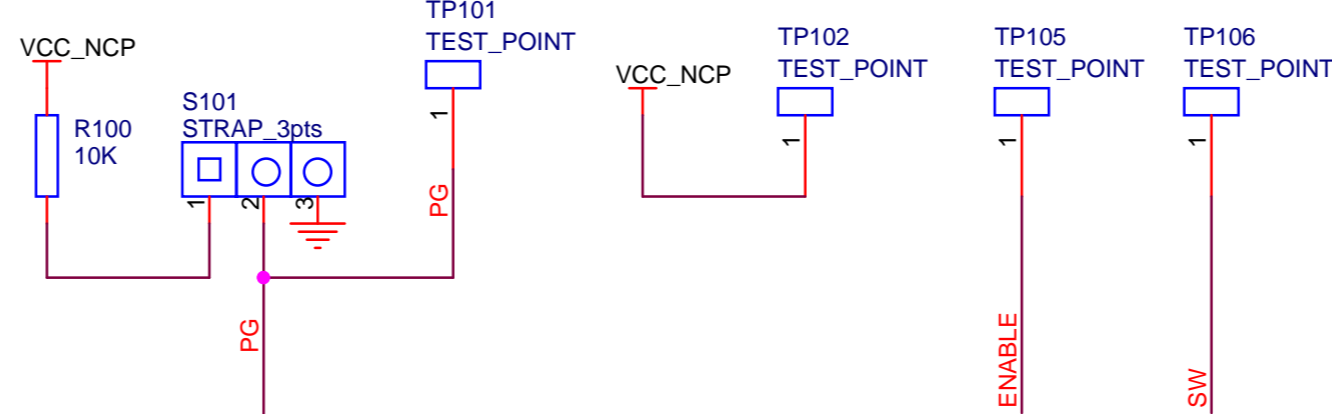


INPUT POWER CONNECTORS



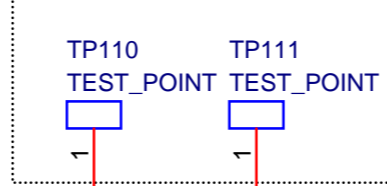
TEST POINTS



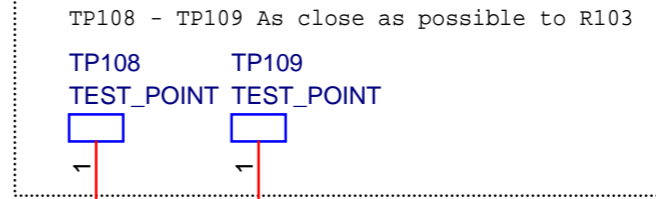
VIN SENSING



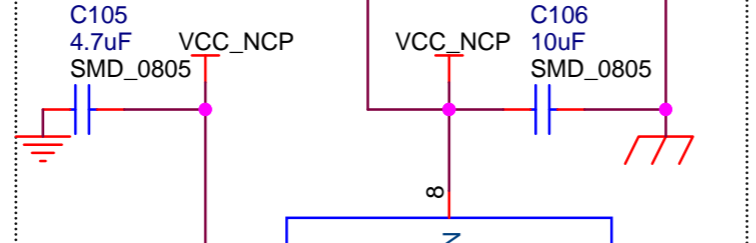
VOUT SENSING



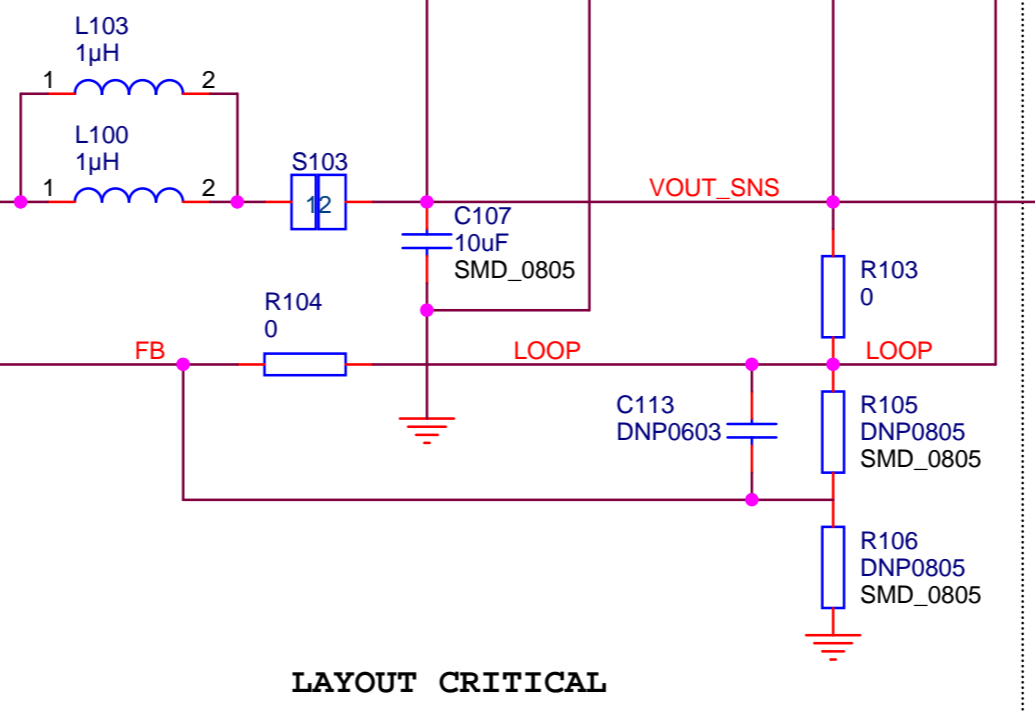
FEEDBACK LOOP MEASUREMENTS



LAYOUT CRITICAL

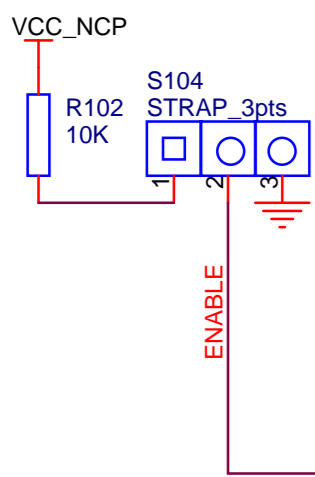
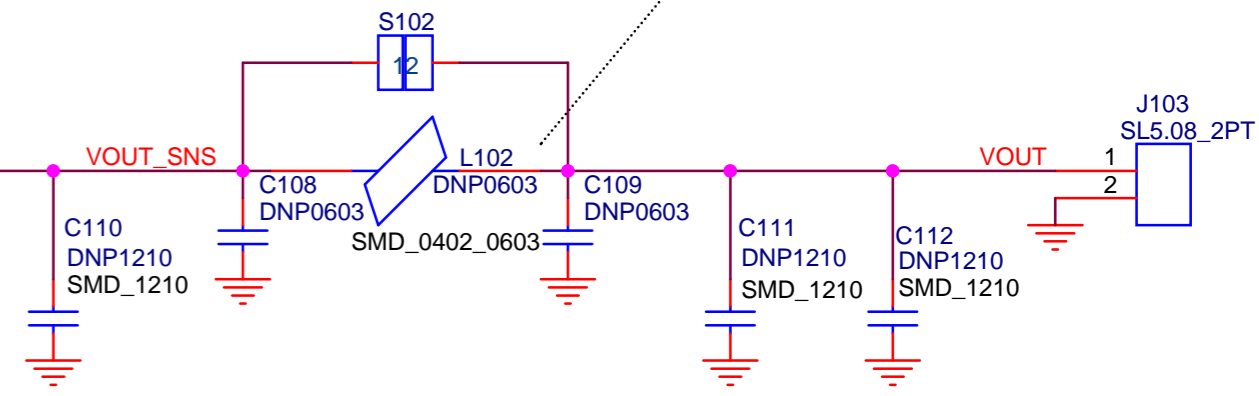


DOUBLE IMPLANTATION FOOTPRINT

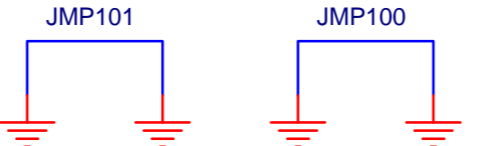


LAYOUT CRITICAL

L102: 0603 PCB FOOTPRINT- NEED COMPATIBILITY WITH 0402



AGND and PGN Connected in one point



UNLESS OTHERWISE NOTIFIED:
 SMD PASSIVE COMPONENTS ARE SMD_0603
 RESISTORS ARE 5% - 1/4 W
 CAPACITORS ARE X7R

REV	DATE	DESCRIPTION	AUTHOR
Designed by J_LAV	ON SEMICONDUCTOR 132 Chemin Basso Camba BP53512 31035 TOULOUSE Cedex 1 France		
NCV6323F APPLICATION EVALUATION BOARD			Rev A
		DWG NO	
		TLS-P-003-A-5017-JL	
Tuesday, July 03, 2018	Scale	Size A3	Sheet 1 of 1