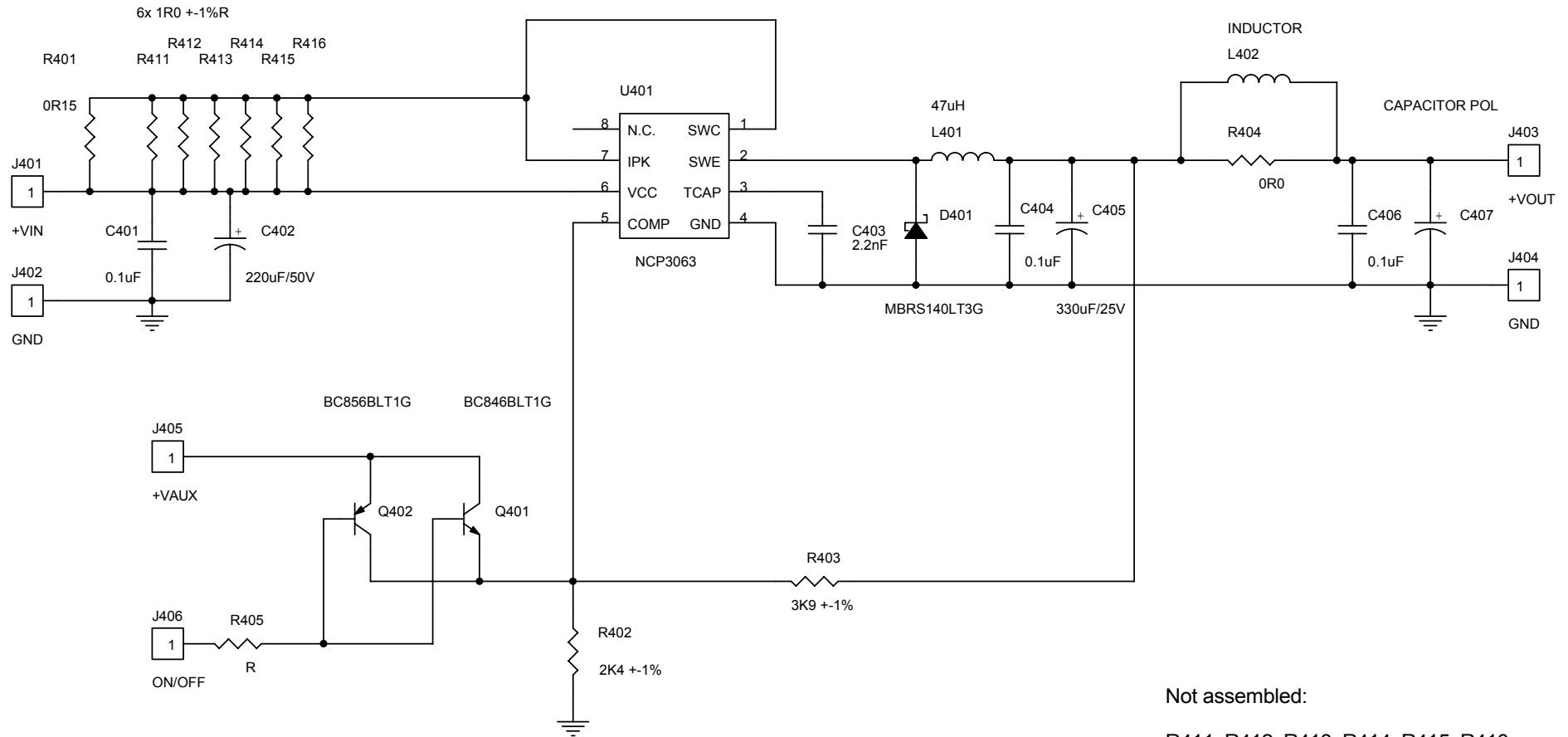




Schematic for the NCP3063 (SOIC-8) Buck Evaluation Board

8/3/2006



Not assembled:

- R411, R412, R413, R414, R415, R416
- R405
- L402
- C404, C407
- Q401, Q402