



ON Semiconductor

## Test Procedure for the NCP3020B Evaluation Board

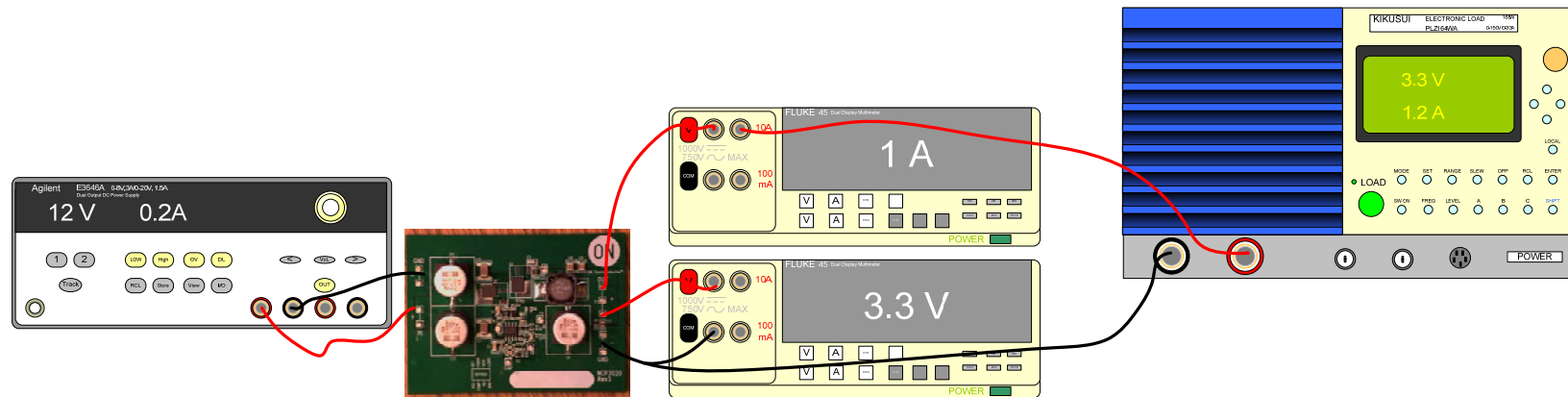


Figure 1: Test Setup

The following steps describe the test procedure for all these boards:

### Suggested Equipment:

- Current limited DC Power Supply (e.g. AGILENT 6645A) ..... 1pc
- DC Volt-Meter able to measure up to 60 V DC (e.g. KEITHLEY 2000) ..... 2pcs
- DC Amp-Meter able to measure up to 1 A DC (e.g. KEITHLEY 2000) .....1pc
- DC Amp-Meter able to measure up to 6 A DC (e.g. FLUKE 89 IV)..... 1pc
- DC Electronic Load (e.g. AGILENT 6060B) ..... 1pc

**Test Procedure:**

1. Connect the test setup as shown in Figure 1.
2. Apply an input voltage,  $V_{IN} = 9-18 \text{ Vdc}$  (Current Limit must be set to 6A)
5. Apply  $I_{OUT}(\text{load}) = 0 \text{ A}$
4. Check that  $V_{OUT} = 3.2 - 3.4 \text{ Vdc}$
6. Set  $I_{OUT}$  to desired level 0 A- 7 A
7. Check that  $V_{OUT} = 3.2 - 3.4 \text{ Vdc}$
8. Turn off the load
9. Turn off  $V_{IN}$
10. End of the test