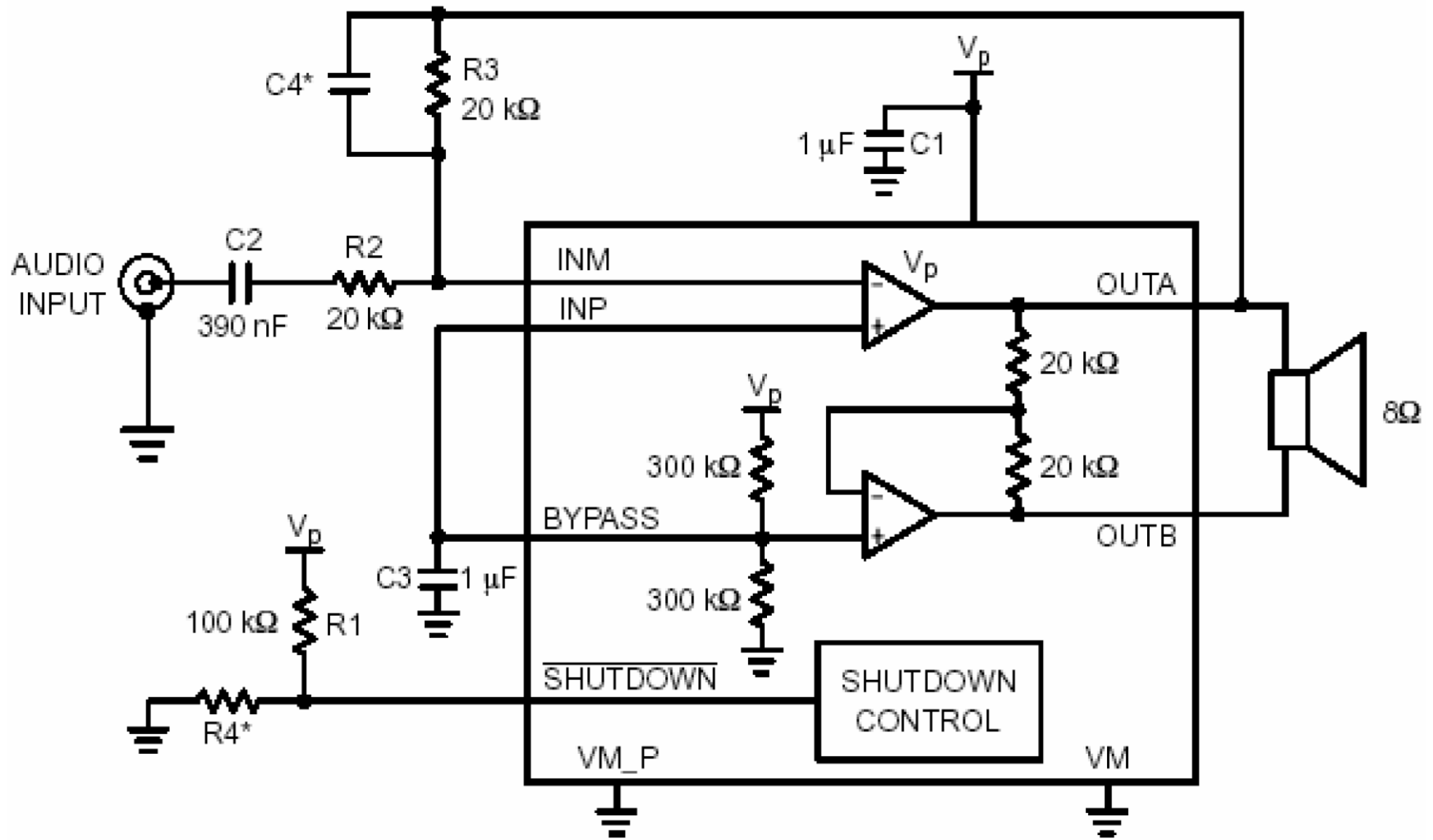




Schematic for the NCP2890GEVB Evaluation Board



* R4, C4: Not Mounted