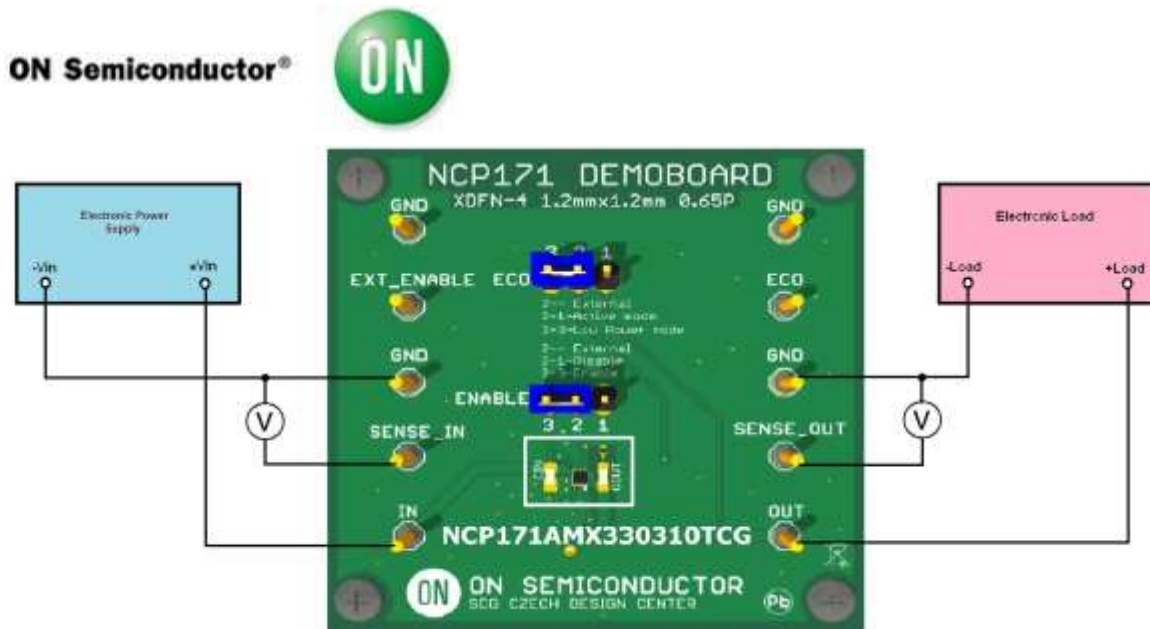


## Test Procedure for NCP171AMX330310TCG LDO Demoboard



### Test procedure:

1. Check the position of jumpers and correct this if necessary in accordance with the picture above.
2. Connect the test setup as shown Figure above
3. Apply an input voltage  $V_{in} = 3.6 \text{ V}$
4. Apply  $I_{out} = 0 \text{ mA}$  load.
5. Check that  $V_{out}$  is  $3.1 \text{ V} \pm 5\%$ .
6. Increase  $I_{out}$  up to  $0.005 \text{ A}$
7. Check that  $V_{out}$  is  $3.1 \text{ V} \pm 5\%$ .
8. Increase  $V_{in}$  up to  $5.5 \text{ V}$
9. Check that  $V_{out}$  is  $3.1 \text{ V} \pm 5\%$ .
10. Power down the Load
11. Power down the  $V_{cc}$
12. Move the jumper ECO to position 1-2
13. Apply an input voltage  $V_{in} = 3.8 \text{ V}$
14. Apply  $I_{out} = 0 \text{ mA}$  load.
15. Check that  $V_{out}$  is  $3.3 \text{ V} \pm 2\%$ .
16. Increase  $I_{out}$  up to  $0.08 \text{ A}$
17. Check that  $V_{out}$  is  $3.3 \text{ V} \pm 2\%$ .
18. Increase  $V_{in}$  up to  $5.5 \text{ V}$
19. Check that  $V_{out}$  is  $3.3 \text{ V} \pm 2\%$ .
20. Power down the Load
21. Power down the  $V_{cc}$
22. End of test