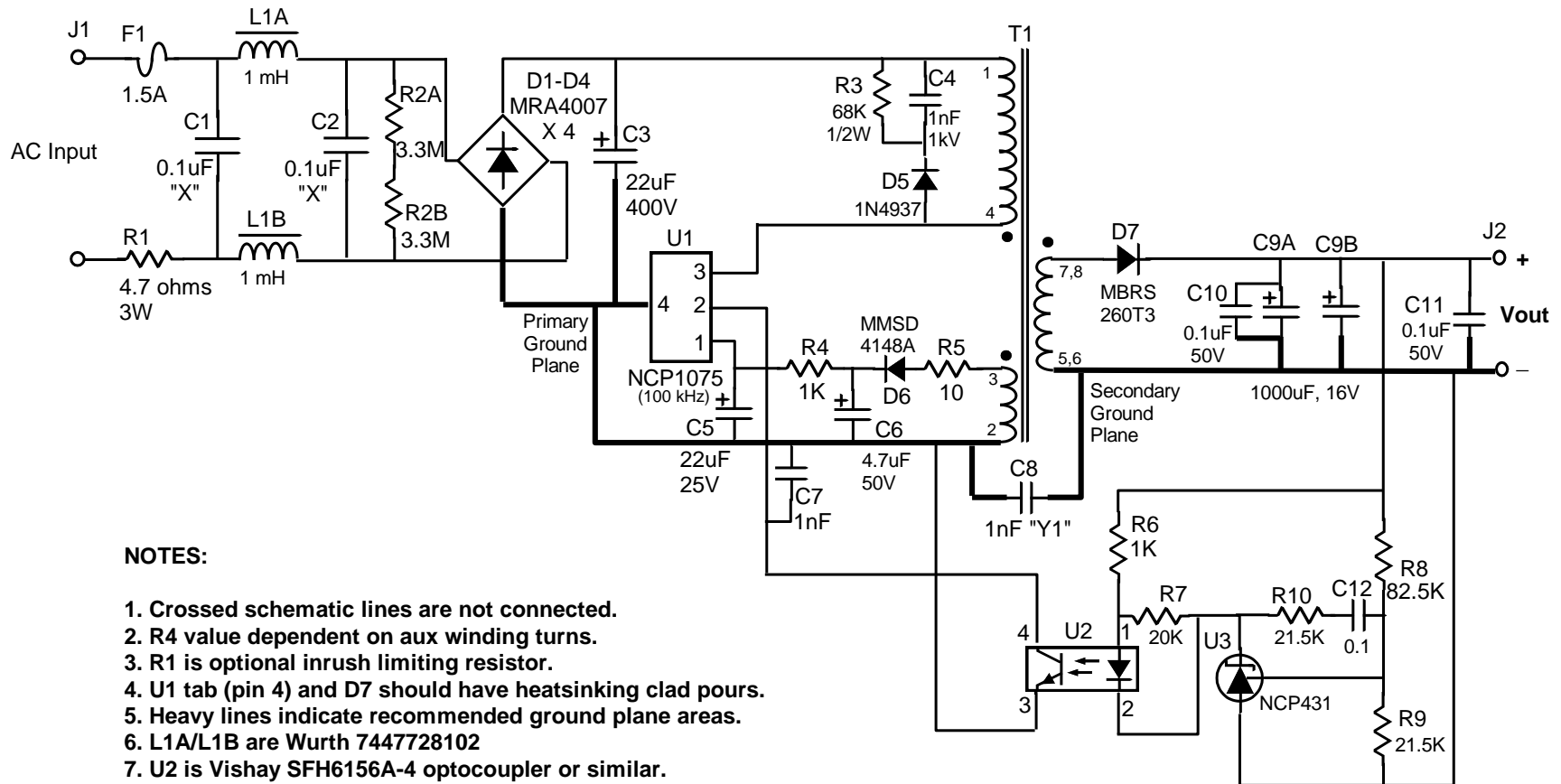




Schematic for the NCP1075SOTGEVB Evaluation Board



**10 Watt NCP1075 Power Supply
with Universal AC Input (Rev 1A)**