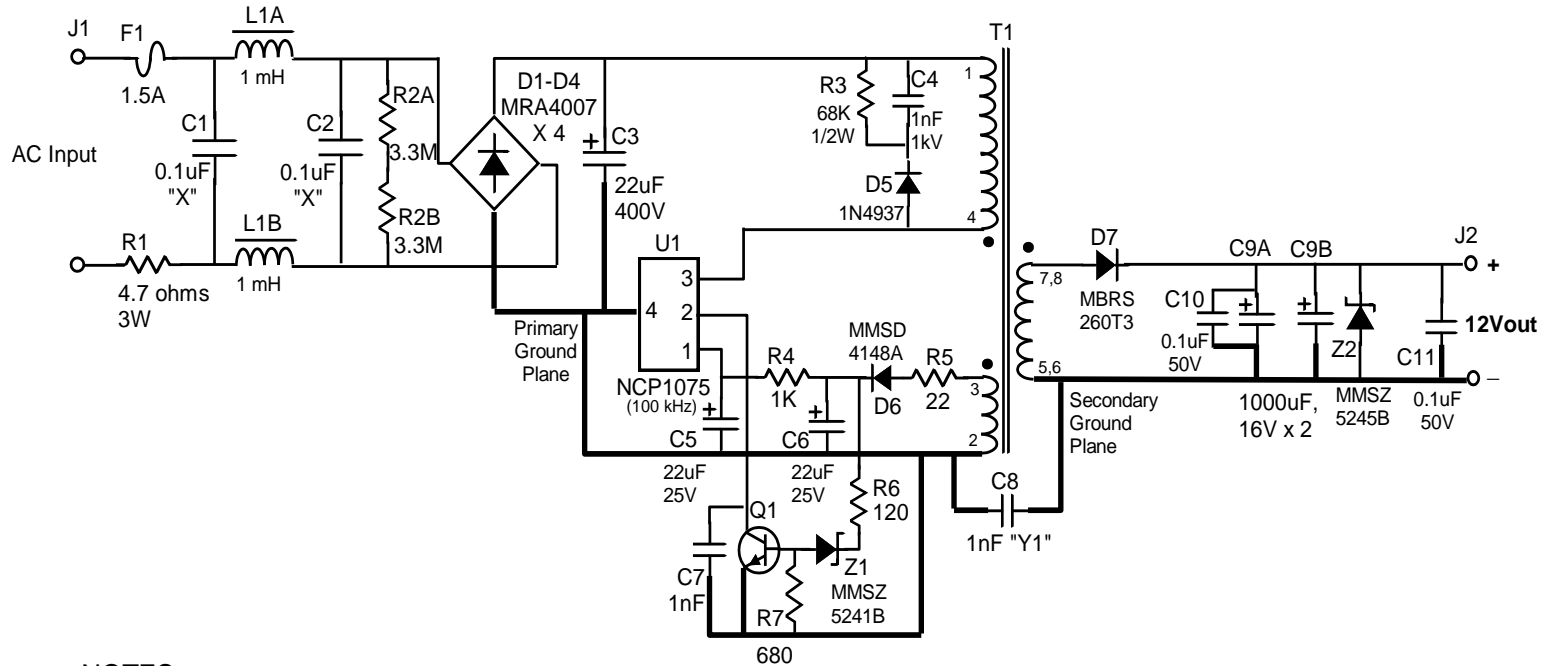


Schematic for the NCP1075PSRGEVB Evaluation Board



NOTES:

1. Crossed schematic lines are not connected.
2. R4 value dependent on aux winding turns and Vout setpoint.
3. R1 is optional inrush limiting resistor.
4. U1 tab (pin 4) and D7 should have heatsinking clad pours.
5. Heavy lines indicate recommended ground plane areas.
6. L1A/L1B are Wurth 7447728102.
7. Q1 is MMBT2222A or similar.
8. Z1 sets Vout ($V_{out} = V_z + 0.6V$ for $N_s:N_{aux} = 1:1$).
9. R6 trims Vout (up only).
10. Z2 is optional no load OVP zener ($V_z = V_{out} + 2V$)

**10 Watt NCP1075 Power Supply
with Primary Side Sensing (Rev 1A)**