

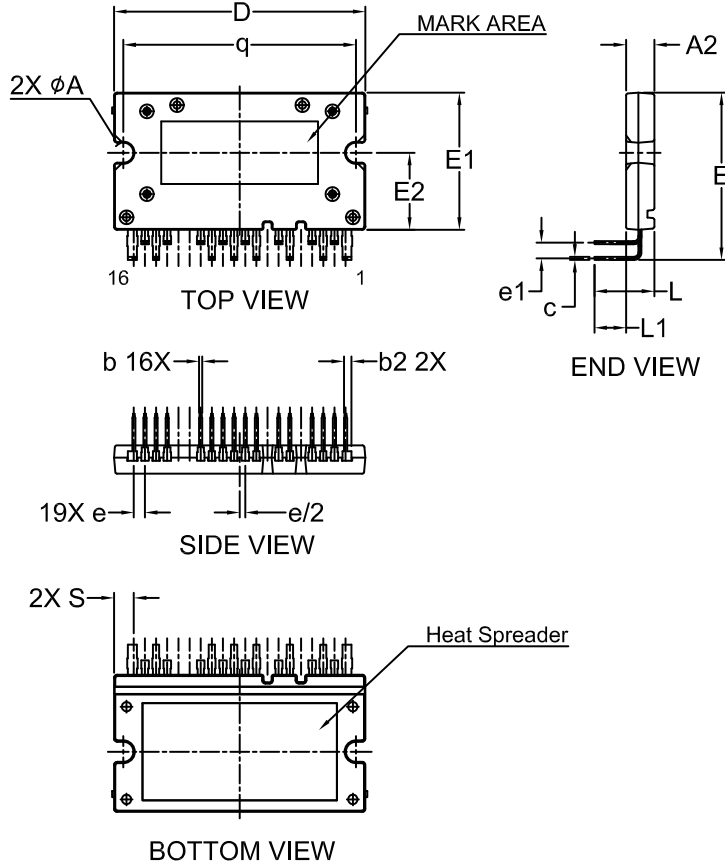
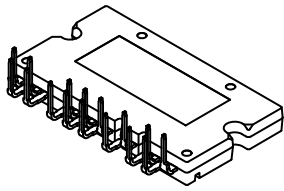
MECHANICAL CASE OUTLINE

PACKAGE DIMENSIONS



APMCA-B16 / 16LD, AUTOMOTIVE MODULE CASE MODGJ ISSUE B

DATE 03 NOV 2020

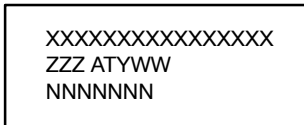


NOTES:

1. DIMENSIONING AND TOLERANCING PER. ASME Y14.5M, 2009.
2. CONTROLLING DIMENSION: MILLIMETERS
3. DIMENSIONS ARE EXCLUSIVE OF BURRS, MOLD FLASH AND TIE BAR EXTRUSIONS.

| DIM | MILLIMETERS | | |
|-----|-------------|-------|-------|
| | MIN. | NOM. | MAX. |
| A2 | 4.30 | 4.50 | 4.70 |
| b | 0.45 | 0.50 | 0.60 |
| b2 | 1.15 | 1.20 | 1.30 |
| c | 0.45 | 0.50 | 0.60 |
| D | 39.90 | 40.10 | 40.30 |
| E | 26.20 | 26.70 | 27.20 |
| E1 | 21.70 | 21.90 | 22.10 |
| E2 | 12.10 | 12.30 | 12.50 |
| e | 1.478 | 1.778 | 2.078 |
| e1 | 2.20 | 2.50 | 2.80 |
| L | 9.20 | 9.55 | 9.90 |
| L1 | 5.05 REF | | |
| q | 36.85 | 37.10 | 37.35 |
| S | 3.159 REF | | |
| φA | 2.95 | 3.20 | 3.45 |

GENERIC MARKING DIAGRAM*



- XXXX = Specific Device Code
- ZZZ = Lot ID
- AT = Assembly & Test Location
- Y = Year
- W = Work Week
- NNN = Serial Number

*This information is generic. Please refer to device data sheet for actual part marking. Pb-Free indicator, "G" or microdot "μ", may or may not be present. Some products may not follow the Generic Marking.

| | | |
|-------------------------|--------------------------------------------|----------------------------------------------------------------------------------------------------------------------------------------------------------------------------------|
| DOCUMENT NUMBER: | 98AON97133G | Electronic versions are uncontrolled except when accessed directly from the Document Repository. Printed versions are uncontrolled except when stamped "CONTROLLED COPY" in red. |
| DESCRIPTION: | APMCA-B16 / 16LD, AUTOMOTIVE MODULE | PAGE 1 OF 1 |

ON Semiconductor and are trademarks of Semiconductor Components Industries, LLC dba ON Semiconductor or its subsidiaries in the United States and/or other countries. ON Semiconductor reserves the right to make changes without further notice to any products herein. ON Semiconductor makes no warranty, representation or guarantee regarding the suitability of its products for any particular purpose, nor does ON Semiconductor assume any liability arising out of the application or use of any product or circuit, and specifically disclaims any and all liability, including without limitation special, consequential or incidental damages. ON Semiconductor does not convey any license under its patent rights nor the rights of others.