

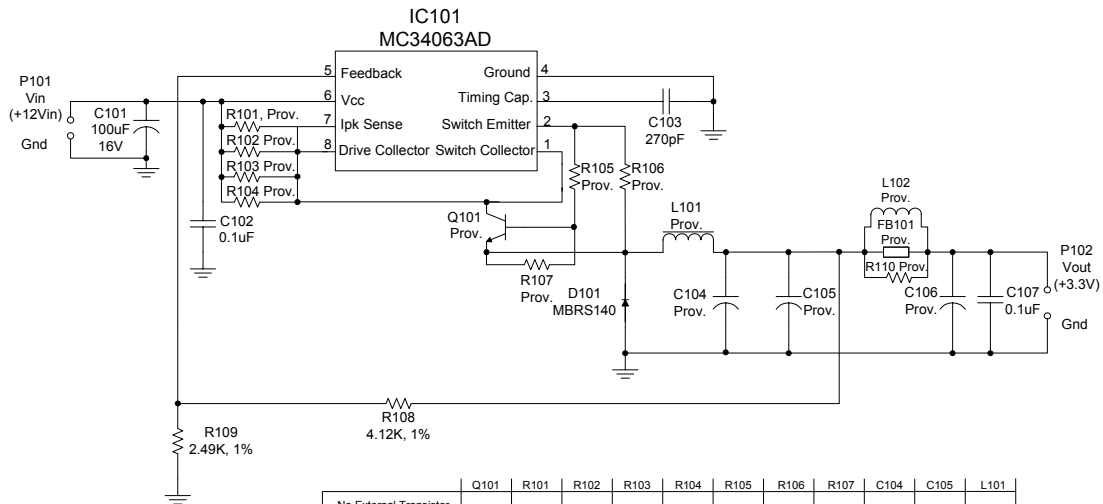
# Schematic for the MC34063 Buck SMD Demonstration Board

ON Semiconductor



9/9/2003

## MC34063 Evaluation Board Design Example Buck Regulator (12V to 3.3V@100mA/500mA)(SMD)



	Q101	R101	R102	R103	R104	R105	R106	R107	C104	C105	L101
No External Transistor Q101 (100mA Output Current)	Out	1.5 ohms	Out	Out	Out	Out	"0" ohm resistor	Out	100uF 6.3V	Out	330uH
External Transistor Q101 (500mA Output Current)	PZT651 SOT-223 Style 1	1 ohm	1 ohm	1 ohm	Out	"0" ohm resistor	Out	470	330uF 6.3V	330uF 6.3V	68uH