

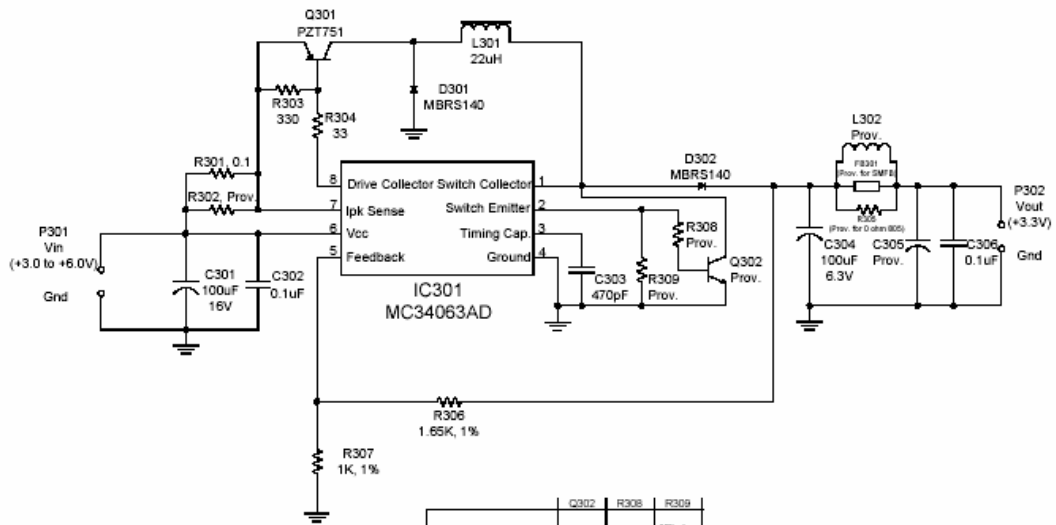
Schematic for the MC34063SMDBBGEVB Evaluation Board

ON Semiconductor



9/9/2003

MC34063 Evaluation Board Design Example Buck/Boost Regulator (3.0V-6.0V to 3.3V@100mA)(SMD)



	Q302	R308	R309
Low Current Applications	Out	Out	"0" ohm resistor
High Current Applications	PZT751 8CT-225 Style 1	TBD	TBD