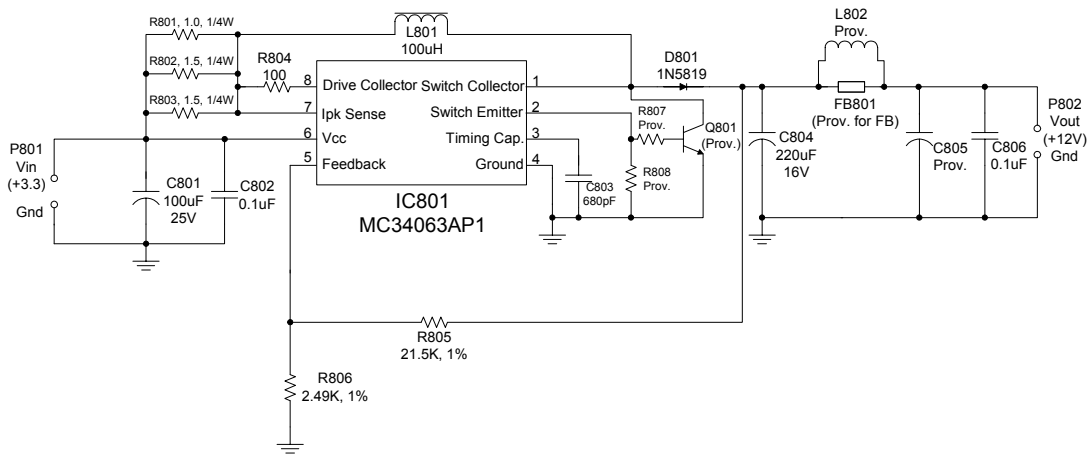


Schematic for the MC34063 Boost Demonstration Board



9/9/2003

MC34063 Evaluation Board Design Example Boost Regulator (3.3V to 12V@50mA)(Leaded Version)



	Q801	R807	R808
Low Current Applications	Out	Out	Short
High Current Applications	MPS651 TO-92	Short	1K