

Test Procedure for the LM2594ASCBCCKGEVB

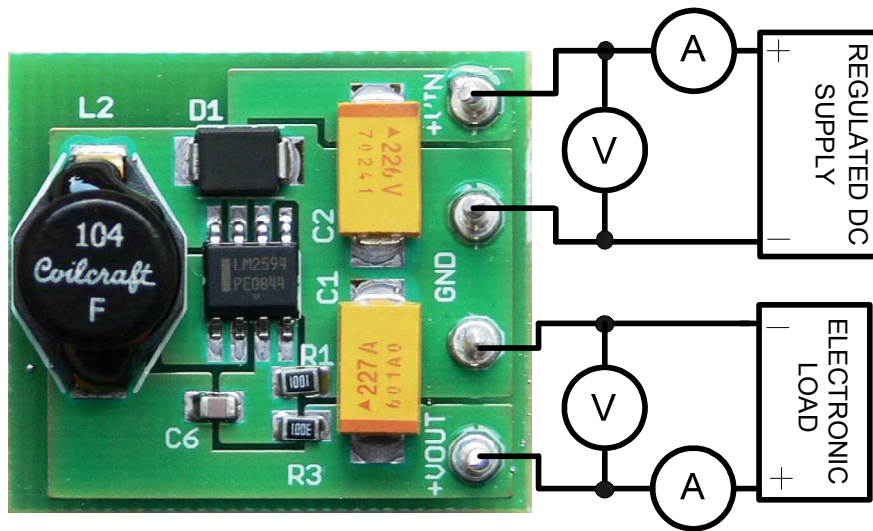


Figure 1: Test Setup

Test Procedure:

1. Connect the test setup as shown in Figure 1.
2. Apply an input voltage, $V_{cc} = 24\text{ V}$
3. Apply $I_{out} = 0\text{ mA}$ load.
4. Check that V_{out} is 5.0 V
5. Increase I_{out} load to 500 mA
6. Check that V_{out} is 5.0 V
7. Power down the load
8. Power down V_{cc}
9. End of test