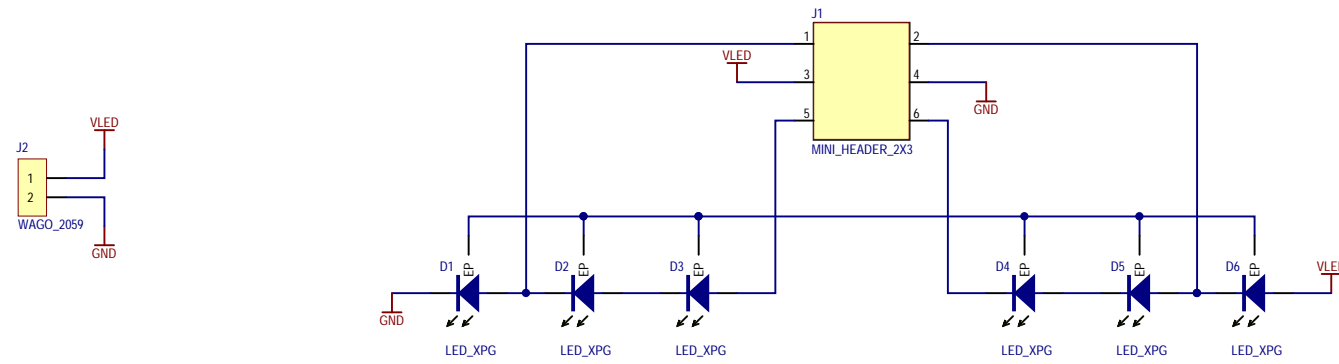



LED MODULE



LED STRING CONFIGURATIONS

JUMPER	LED STRING
1 - 2	2 LEDs in series (D6+D1)
3 - 4	SHORT TEST
5 - 6	6 LEDs in series (D6+D5+D4+D3+D2+D1)
1 - 3 2 - 4	2x Single LED (D6 D1)
3 - 5 4 - 6	2x 3 LEDs in series ((D6+D5+D4) (D3+D2+D1))

 ON SEMICONDUCTOR Automotive Products Division Videnska 204/125 619 00 Brno Czech Republic		PROJECT		LED MODULE	
		SCHEMATIC		DB_LEDMODULE_v1.0.SchDoc	
CUSTOMER		ON Semiconductor		AUTHOR	
				Jiri DANIEL	
Size	REV.	SHEET No.	TOTAL SHEETS	TIMESTAMP	
A3	A	1	1	6/15/2018 11:56:31 AM	