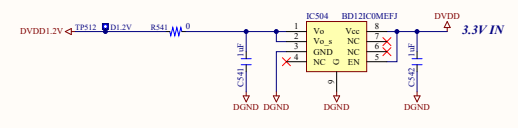
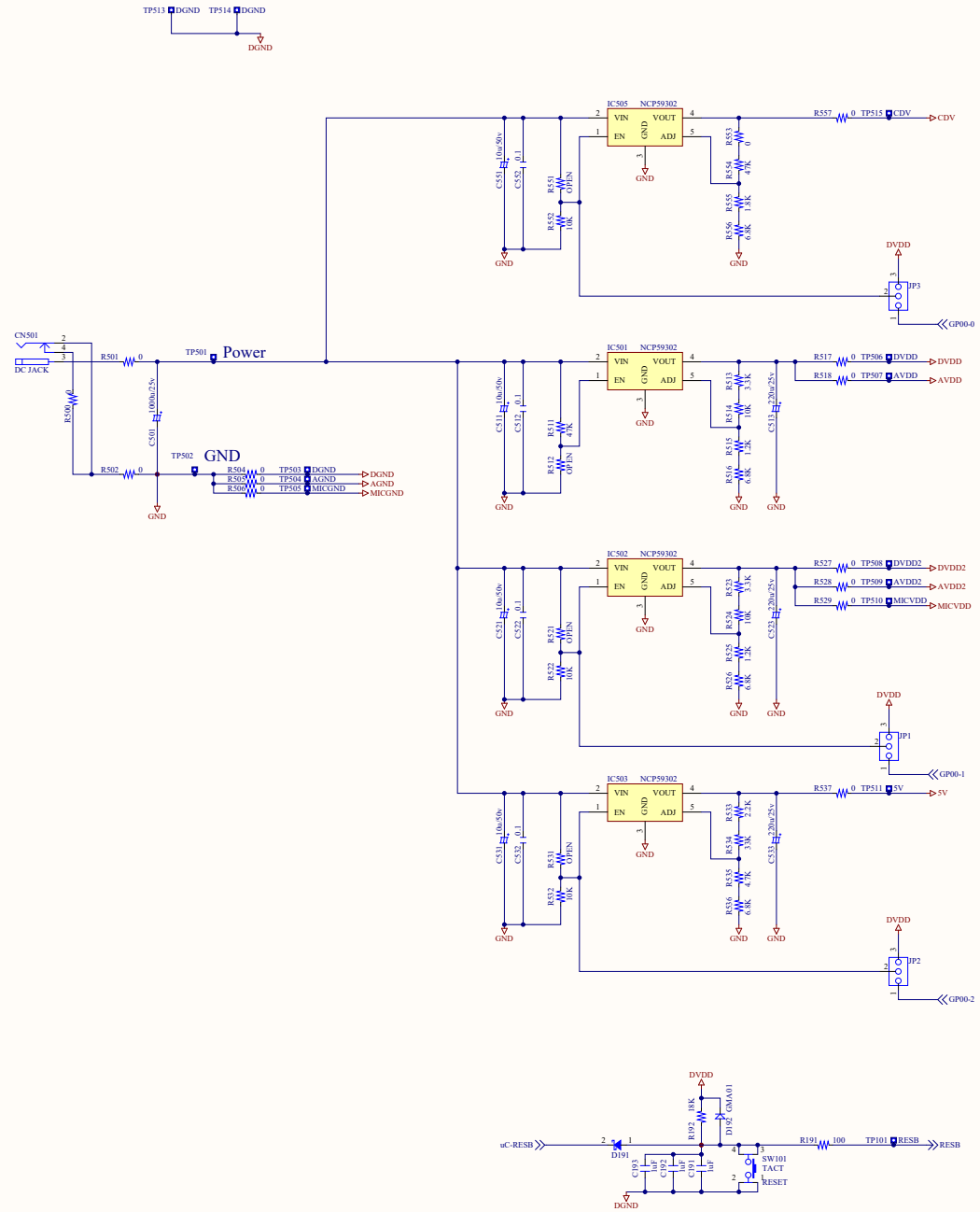


LC786830

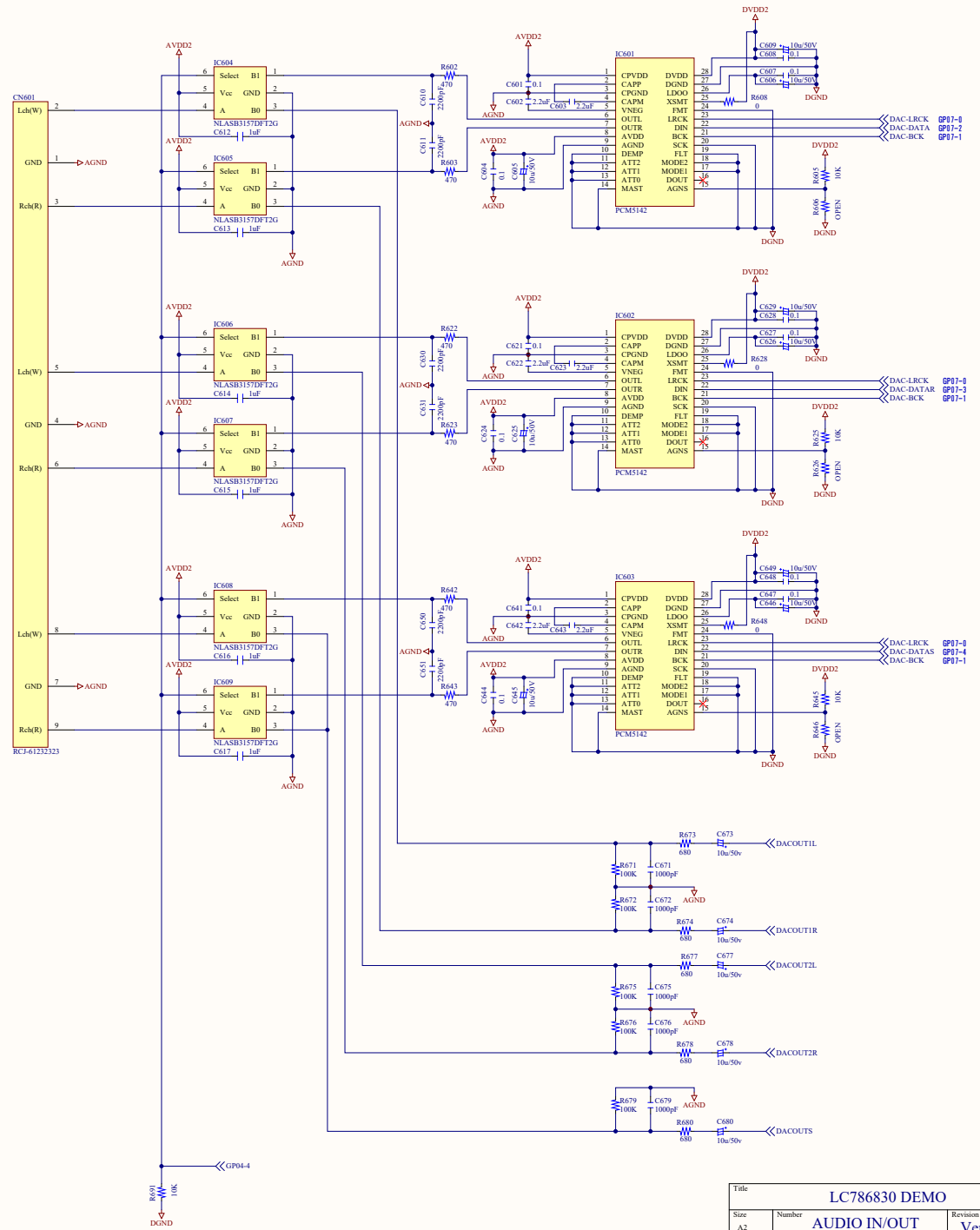
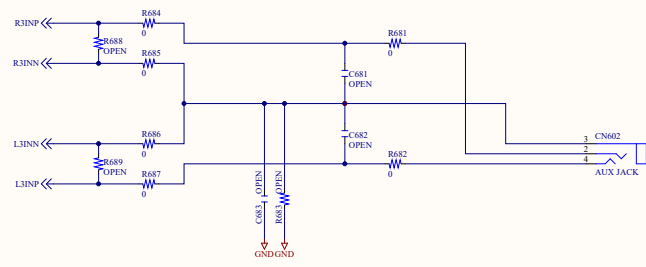
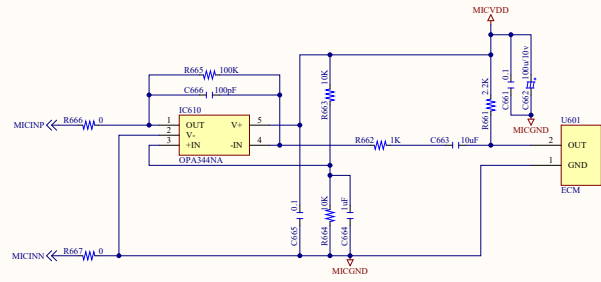
Not mounted

Not mounted

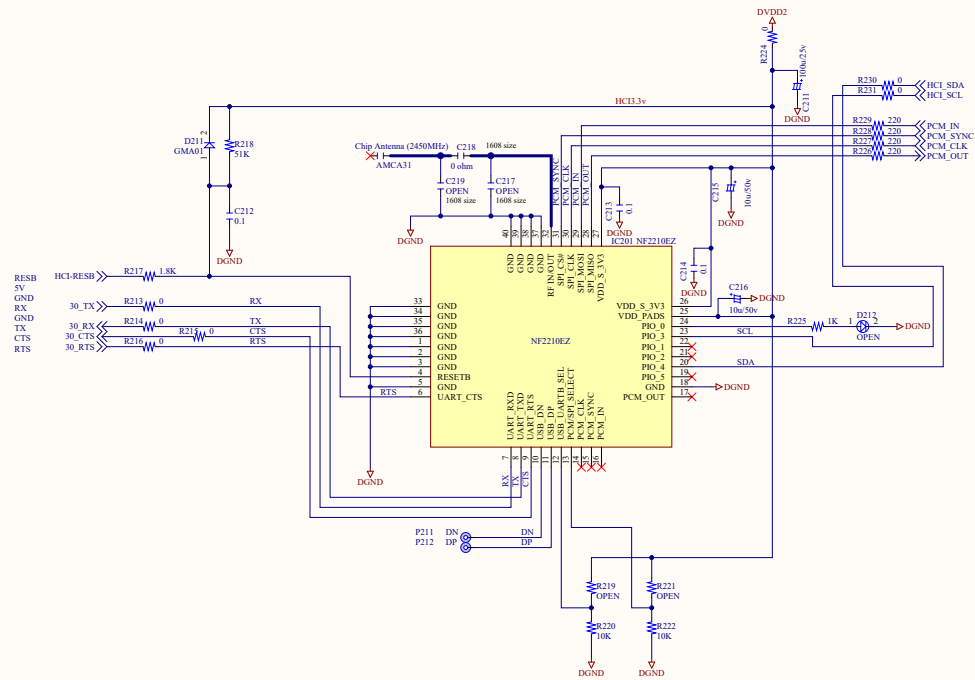
| Title | | | |
|---------------|------------------------------|-----------|-----|
| LC786830 DEMO | | | |
| Size | Number | Revision | |
| A2 | LC786830 | Ver.1.0 | |
| Date: | 2021/02/22 | Sheet of | 1/5 |
| File: | C:\CUSTOMER\LC786830E_SchDoc | Drawn By: | |



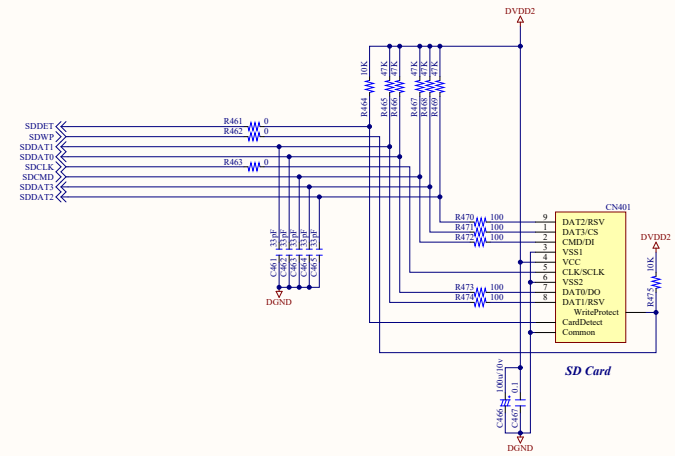
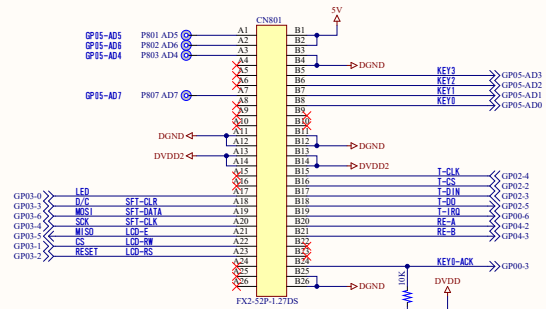
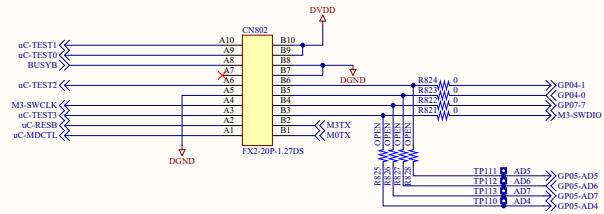
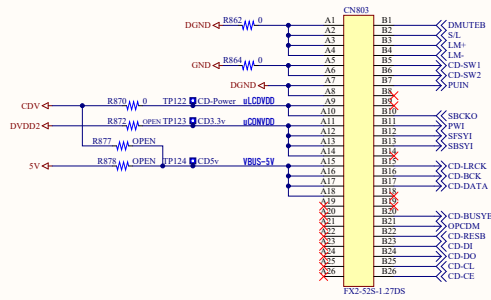
| | | | |
|---------------|-----------------------------|-----------|-----|
| Title | | | |
| LC786830 DEMO | | | |
| Size | Number | Revision | |
| A2 | POWER & RESET | Ver.1.0 | |
| Date: | 2021/02/22 | Sheet of | 2/5 |
| File: | C:\CUSTOMER\...POWER.SchDoc | Drawn By: | |

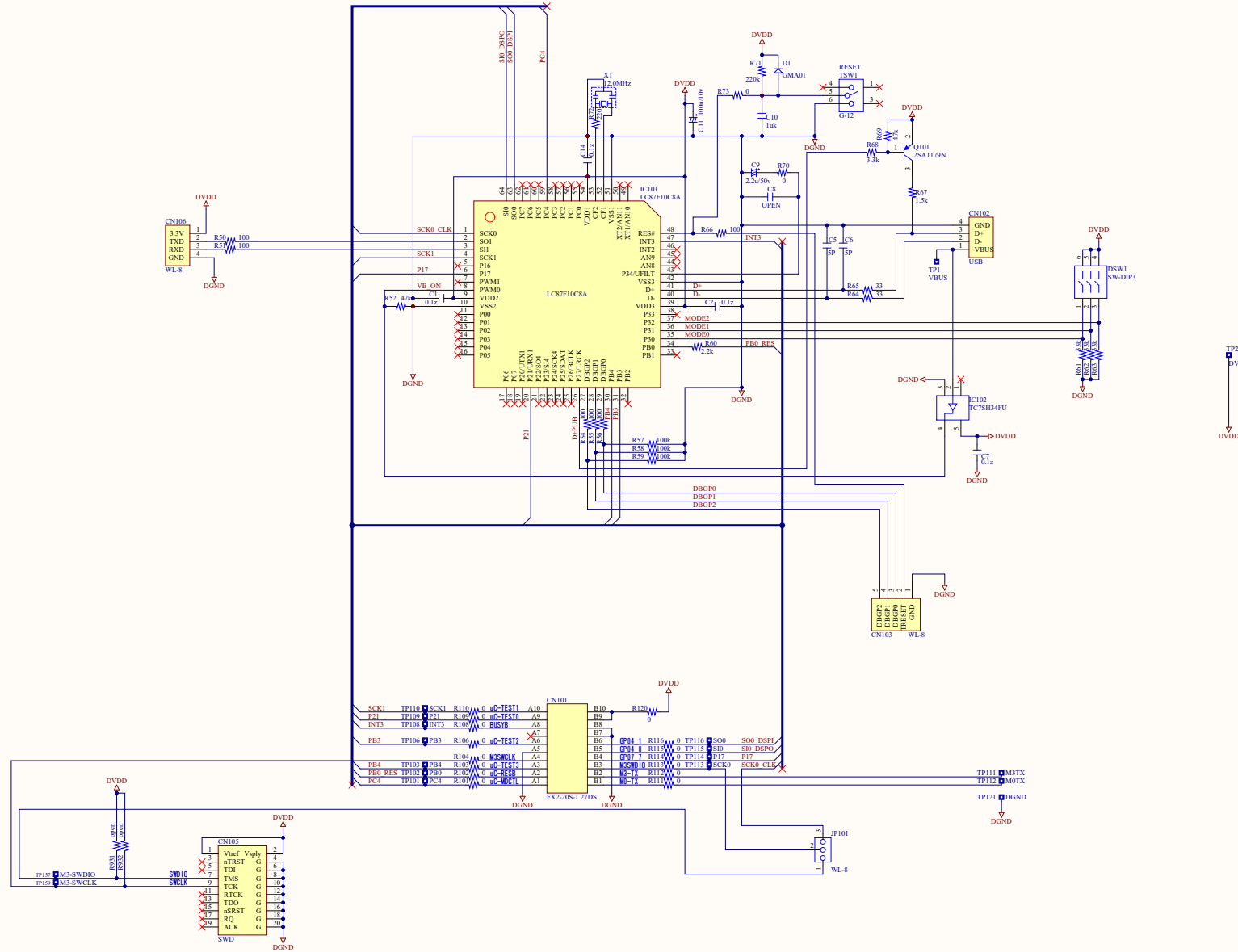


| | | | |
|---------------|-----------------------------|-----------|-----|
| Title | | | |
| LC786830 DEMO | | | |
| Size | Number | Revision | |
| A2 | AUDIO IN/OUT | Ver.1.0 | |
| Date: | 2021/02/22 | Sheet of | 3/5 |
| File: | C:\CUSTOMER\AUDIO_IF_SchDoc | Drawn By: | |



| | | | | | |
|-------|----------------------------|-----------|---------------|--|--|
| Title | | | LC786830 DEMO | | |
| Size | Number | Revision | | | |
| A2 | NF2210EZ BT RF module | Ver.1.0 | | | |
| Date: | 2021/02/22 | Sheet | of 4/5 | | |
| File: | C:\CUSTOMER\unifore\SchDoc | Drawn By: | | | |





| Title | | | |
|--------------|----------------------------|------------------|----------|
| LC786830DEMO | | | |
| Size | Number | Downloader Board | Revision |
| A2 | | | Ver.1.0 |
| Date: | 2021/02/22 | Sheet of | 1/1 |
| File: | Q3-QMechless-umicon-SchDoc | Drawn By: | |