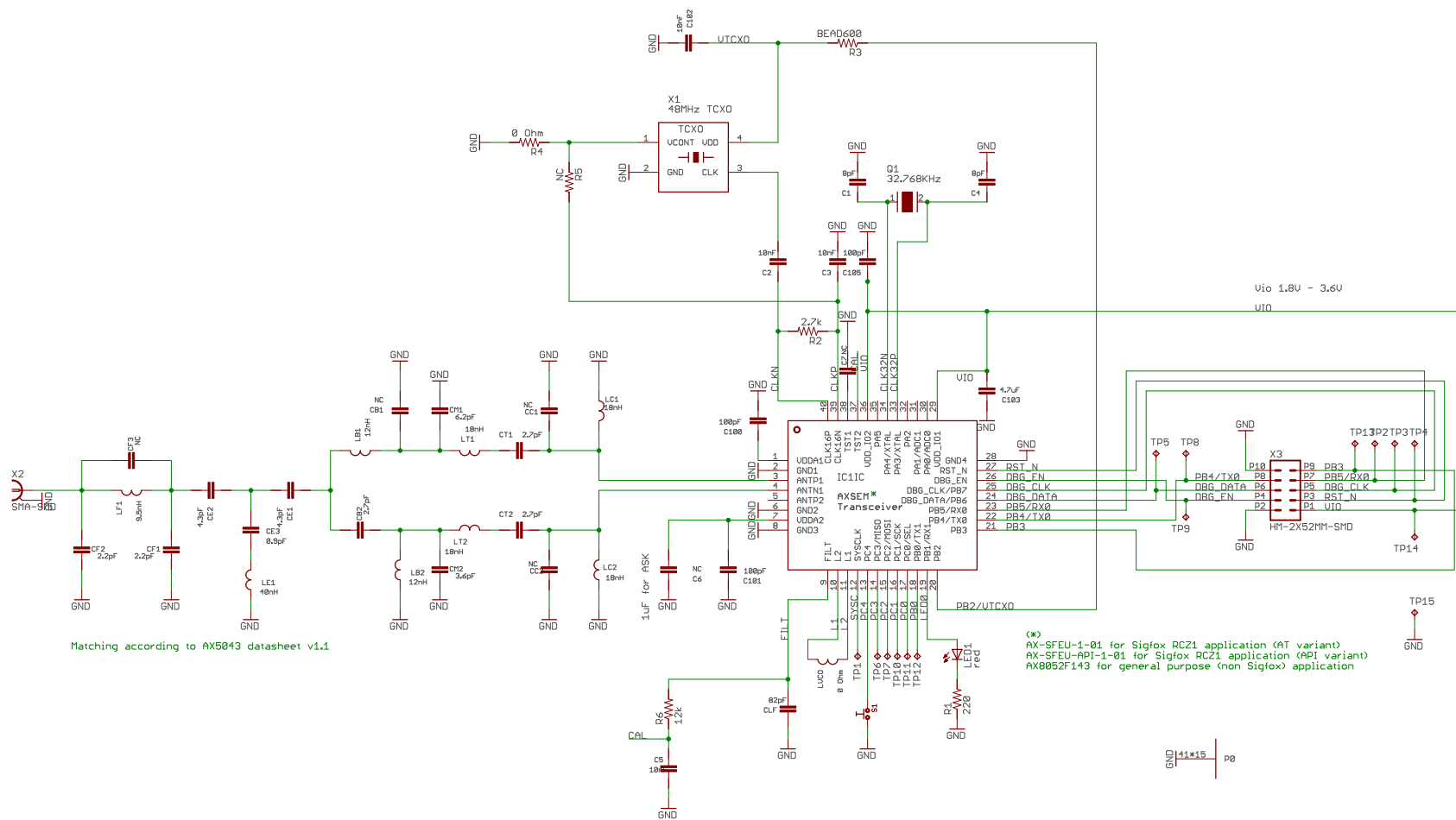


Schematic for the F143-MINI-A-MOD-GEVB Evaluation Board



TITLE: F143-MINI-KIT-SMA_v3-6e

Date: 1/10/2018 12:18 PM

Sheet: 1/1