

# SECO-NCV7685RGB-GEVB

## NCV7685 RGB Lighting Evaluation Board User's Manuals

### Description

SECO-NCV7685RGB-GEVB is an evaluation board for RGB LEDs lighting application with BLE in automotive which driven by NCV7685 and controlled by RSL10. It is also an interior or exterior lighting reference design for tail or ambient lights to realize general sequential or high end pixelated LEDs controlling in-vehicle network. The user can set RGB LED's color and intensity by mobile APP to show customized information or animation.

In general, the user prefers to use fixed address in multiple NCV7685 applications. It leads to additional procedure to pre-program each chips' address in mass production stage. In addition, it is inconvenient for maintenance in the aftermarket. In firmware of this evaluation board, it uses floating address setting method, each time when power on the board, NCV7685 will be assigned an address which is defined by user, but it's not locked into OTP registers. The user can realize this function by using either RSL10's GPIO or IO expander (PAC9655).

In firmware, the driver APIs are divided into four levels: Peripheral, Chip, Board and customer application. User can directly include the chips and board APIs in their own project, and modify the application APIs according to their applications. This will accelerate developing period to market.

The board conceived for use as a plug and play environment to testing.

Nominal supply voltage is 12 V (Supply voltage range 12–24 V). In switch mode, four fixed animations shown; the RGB LEDs' color and intensity setting by user mobile APP in BLE mode.

### Features

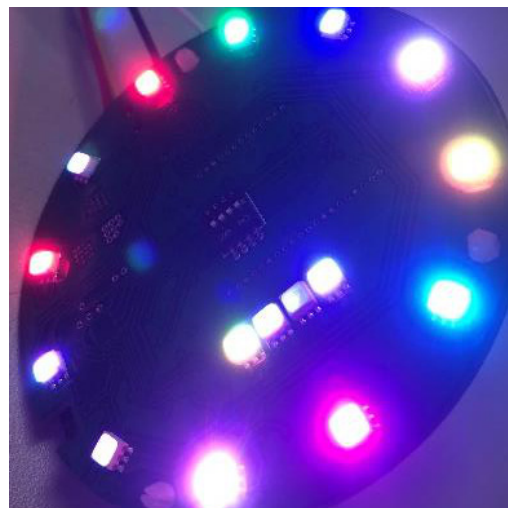
- Plug and Play; Switch and BLE Mode to Show Animations
- 16 RGB LEDs (48 Channels), each Current Programmable Sources up to 60 mA
- Independent PWM Duty Cycle Control for each Channel
- On-Chip 150, 300, 600 and 1200 Hz PWM
- Logarithmic or linear independent PWM dimming
- Diagnostic and Protection against Open Load and Under-Voltage, Over Temperature...
- Dynamic Addressing Method for No-Worries in mass production
- Bluetooth® 5 Certified with LE 2M PHY Support
- Rx Sensitivity (Bluetooth Low Energy Mode, 1 Mbps): -94 dBm
- Transmitting Power: -17 to +6 dBm
- Arm Cortex-M3 Processor and LPDSP32
- AEC-Q100 Qualified and PPAP Capable



ON Semiconductor®

[www.onsemi.com](http://www.onsemi.com)

## EVAL BOARD USER'S MANUAL



# SECO-NCV7685RGB-GEVB

## Architecture and Key Parts

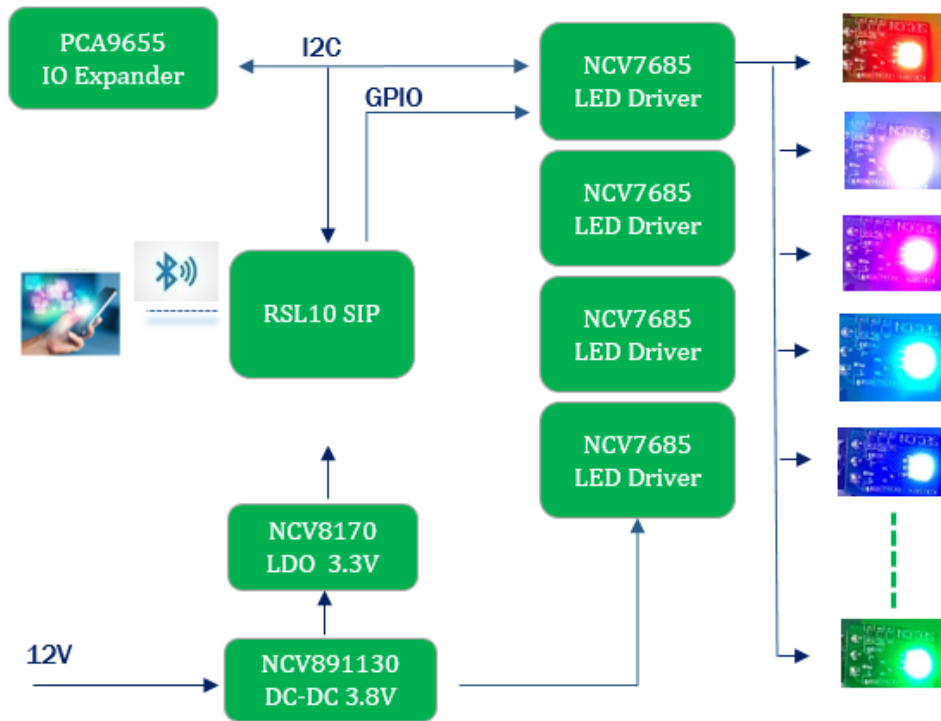


Figure 1. Board Architecture

### KEY PARTS

Chip Part	Description
NCV7685	12 Channels 60 mA LED Linear Current Driver I2C Controllable for Automotive
RSL10 SIP	System-in-Package, Bluetooth 5 Certified
PCA9655	Remote 16-bit I/O Expander for I2C Bus with Interrupt
NCV8170	Ultra - Low IQ 150 mA CMOS LDO Regulator
NCV891330	3 A, 2 MHz Low-IQ Dual-Mode Step-Down Regulator for Automotive

# SECO-NCV7685RGB-GEVB

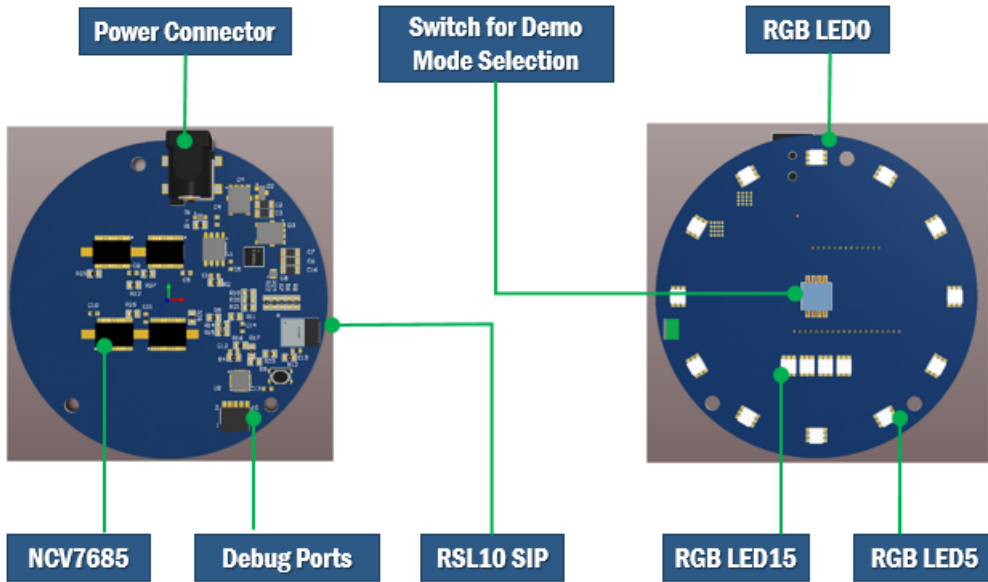


Figure 2. Top and Bottom Layer and Key Components

## Operations of NCV7685 RGB LEDs Board

After power on, the board shows the “Welcome” animation, then according to the setting of the switch, the

board shows four kinds of fixed animations or turns into BLE mode. The functions and operations described as below figures:

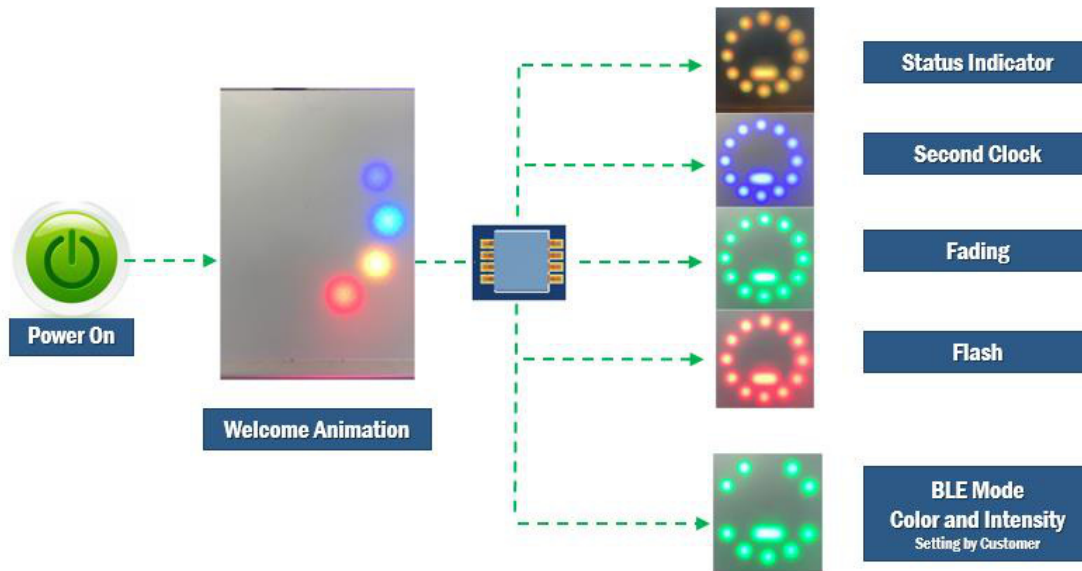


Figure 3. Sequence after Power On

# SECO-NCV7685RGB-GEVB

Switch Setting:

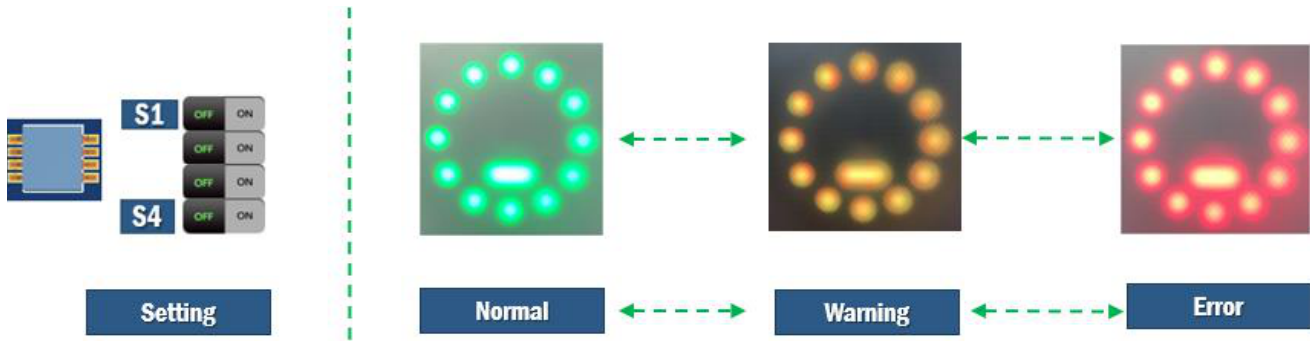


Figure 4. Status Indicator Mode

## Status Indicator Mode:

Keep all Switches off; the board comes into status indicator mode. Green means good, orange means warning and red means error. The color of LEDs changes in gradient from green to orange, then to red; and goes back from red to green. This can be used as the status indicator for dashboard.

Switch Setting:



Figure 5. Second Clock Mode

## Second Clock

Keep Switch S1 on and S2, S3, S4 off, every second, only one LED in blue lights up clockwise direction in turn.

Switch Setting:



Figure 6. Flash Mode

## Flash Mode

Keep Switch S2 on and S1, S3, S4 off, all LEDs flash in red.

Switch Setting:



Figure 7. Fading Mode

## Fading Mode

Keep Switch S1, S2 on and S3, S4 off, all LEDs fade in green.

Switch Setting:

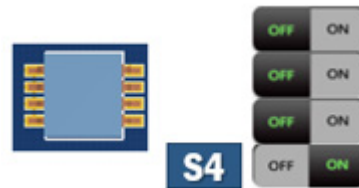


Figure 8. BLE Mode

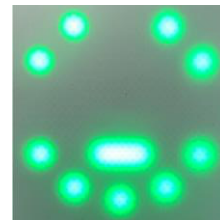


Figure 9. Standby interface in BLE Mode

# SECO-NCV7685RGB-GEVB

## BLE Mode

Keep Switch S4 on and never mind of the setting of S2, S3, S4, the board turns into BLE mode. User can use general mobile App to control LED's color and intensity for individual or all LEDs. For example, using "Light Blue" in iOS®; "BLE Scanner" or "nRF Connect" in Android® OS. It shows a green "smile face" firstly, and then changes the color and intensity according to the received five bytes data through BLE. The first three bytes stand for R, G, B values to mix the color, and the fourth data stands for intensity (4 level brightness For V1). The fifth byte stands for LED number, if this value is greater than 0x0f, all LEDs response. Here are several examples:

Examples: (R, G, B, I, LED\_No)

(Four level of Intensity, Depends on Firmware)

800080FF00: LED0 in Purple

FF00003F01: LED1 in Red

XXXXXX0010: All LEDs turn off as the he intensity is 0  
(Never mind RGB's values)

00BFFFFFF10: All LEDs in deep sky blue

Here is an example using "Light Blue" App to control RGB lighting board:

1. Find and choose Peripheral of "NCV7685 RGB Kit"
2. Tap "Send RGB Setting" character
3. Set RGB and Intensity values
4. The board change color, intensity and LED\_No

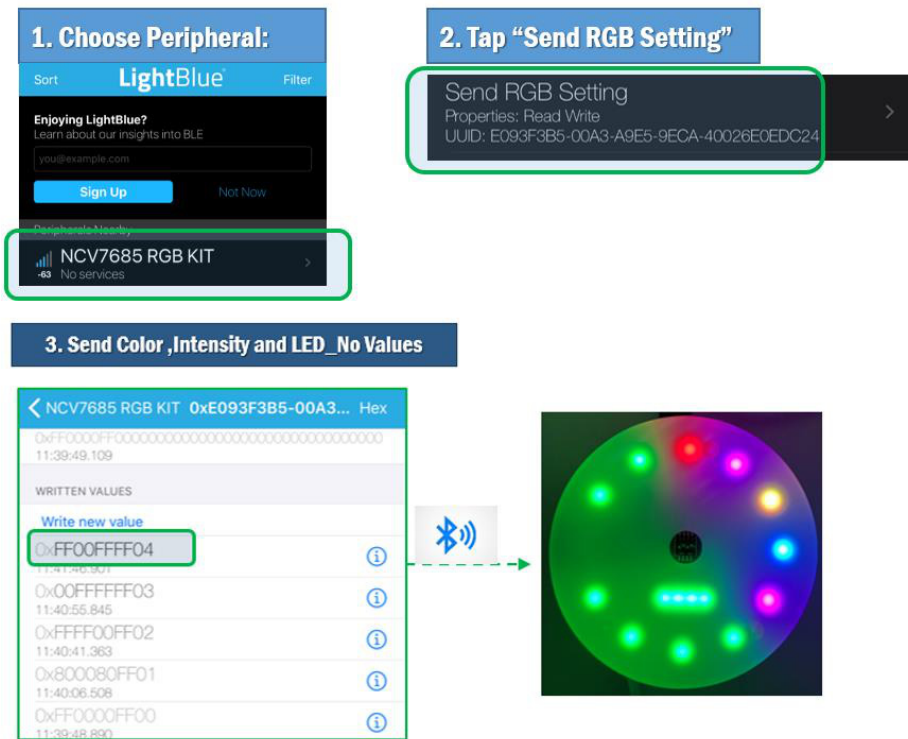


Figure 10. Using 'Light Blue' App to Control the Board

# SECO-NCV7685RGB-GEVB

## Firmware Setting

Generally, floating address method is used in firmware; the configurations can be changed in the “ncv7685.h” file. Here are options:

### 1. Floating Address method using SOC GPIO:

```
#define NCV7675_CHIPS_NUM      0x04      /* Chips number */
#define PCA9655_Address      0x22      /* PCA9655 I2C address */
#define BY_SOC                0         /* SOC or PCA9655 */
#define BY_PCA9655           1
#define ADDRESS_SETTING      BY_SOC
#define Fix_Address          0
#define Address_Had_Set      0
```

### 2. Floating Address method using PCA9655:

```
#define NCV7675_CHIPS_NUM      0x04      /* Chips number */
#define PCA9655_Address      0x22      /* PCA9655 I2C address */
#define BY_SOC                0         /* SOC or PCA9655 */
#define BY_PCA9655           1
#define ADDRESS_SETTING      BY_PCA9655
#define Fix_Address          0
#define Address_Had_Set      0
```

### 3. Fix Address method using PCA9655 or SOC GPIO:

```
#define NCV7675_CHIPS_NUM      0x04      /* Chips number */
#define PCA9655_Address      0x22      /* PCA9655 I2C address */
#define BY_SOC                0
#define BY_PCA9655           1
#define ADDRESS_SETTING      BY_PCA9655 /* SOC or PCA9655 */
#define Fix_Address          1
#define Address_Had_Set      0
```

### 4. For the board which address had programmed, just set “Address\_Had\_Set” to 1, So it will skip address setting function:

```
#define NCV7675_CHIPS_NUM      0x04      /* Chips number */
#define PCA9655_Address      0x22      /* PCA9655 I2C address */
#define BY_SOC                0
#define BY_PCA9655           1
#define ADDRESS_SETTING      BY_PCA9655 /* SOC or PCA9655 */
#define Fix_Address          1
#define Address_Had_Set      1
```

## Files Structure of Project

source	
app_basc.c	·app_basc.c: Battery level indication handler
app_bass.c	·app_bass.c: Battery Service code
app_config.c	·app_config.c: Application configuration source file
app_customss.c	·app_customss.c: Bluetooth custom service
app_msg_handler.c	·app_msg_handler.c: Customer defined functions and data
app_trace.c	·app_trace.c: Trace functions
ncv7685.c	·ncv7685.c: APIs of NCV7685 Chip and Board
app.c	·app.c: main function

Figure 11. Files Structure of Project

Flow Chart of App.c

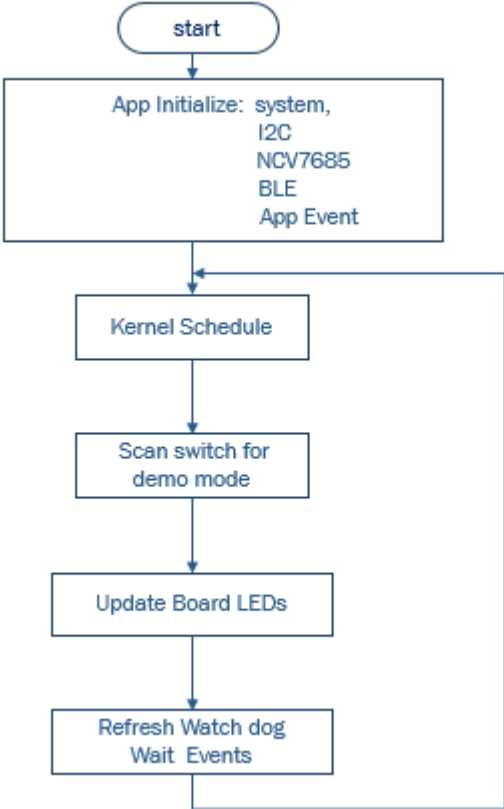


Figure 12. Flow chart of App.c



# SECO-NCV7685RGB-GEVB

## Schematic

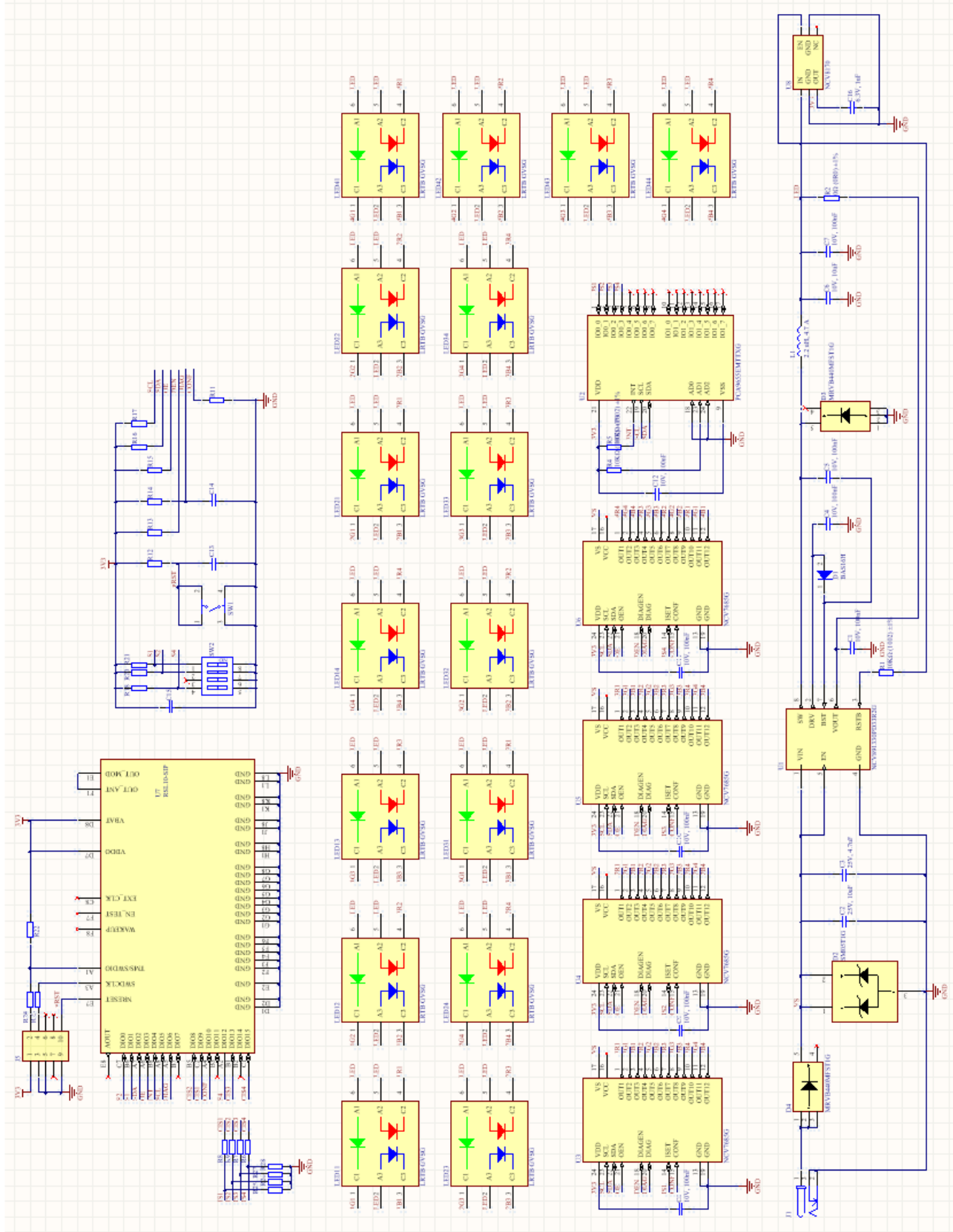


Figure 13. Schematic of Board



# SECO-NCV7685RGB-GEVB

## Assembly

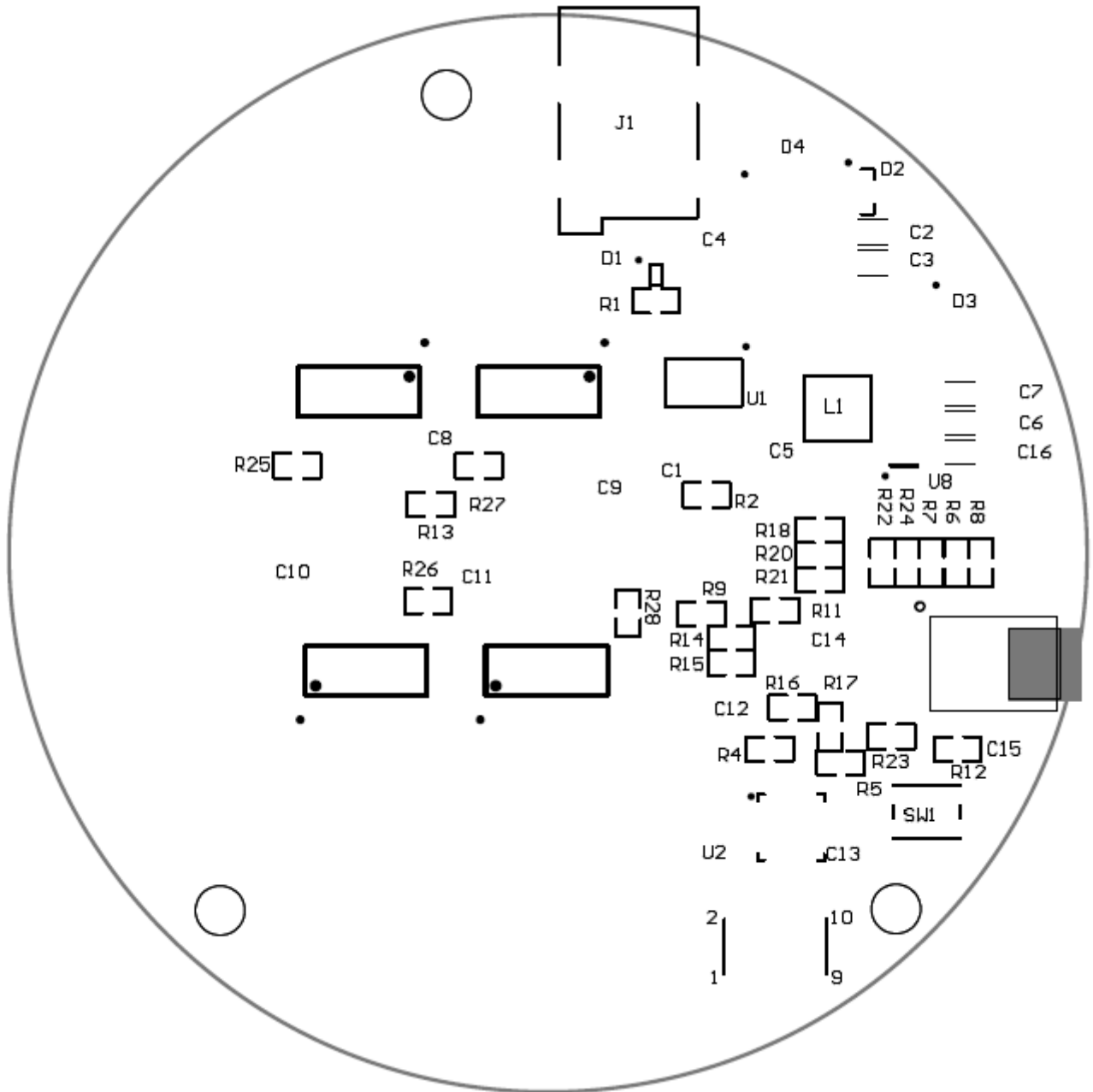


Figure 14. Bottom Side Assembly

# SECO-NCV7685RGB-GEVB

**Table 1. BILL OF MATERIALS**

Item	Designator	Manufacturer	Comment	Description	Quantity
1	C1, C4, C5, C8, C9, C10, C11, C12, C13, C14, C15	-	10 V, 100 nF	WCAP-CSGP Ceramic Capacitors, 0603	11
2	C2	-	25 V, 10 $\mu$ F	WCAP-CSGP Ceramic Capacitors, 1206	1
3	C3	-	25 V, 4.7 $\mu$ F	WCAP-CSGP Ceramic Capacitors, 1206	1
4	C6	-	10 V, 10 $\mu$ F	WCAP-CSGP Ceramic Capacitors, 1206	1
5	C7	-	10 V, 100 nF	WCAP-CSGP Ceramic Capacitors, 1206	1
6	D1	ON Semiconductor	BAS16H	Schottky Barrier Diode,	1
7	D3, D4	ON Semiconductor	NTS560	Trench Schottky Rectifier, Low Forward Voltage, 60 V, 5 A	2
8	J1	-	694106106102	DC Power Jack Connector, 5 A, 24 V	1
9	J5	-	1.27mm_SMD_Vertical_10 pin	Pin Header WR-PHD, pitch 1.27 mm,	1
10	L1	-	2.2 $\mu$ H, 4.7 A	SMT Shielded Power Inductor	1
11	LED11, LED12, LED13, LED14, LED21, LED22, LED23, LED24, LED31, LED32, LED33, LED34, LED41, LED42, LED43, LED44	-	LRTB GVSG	-	16
12	R1, R4, R5, R12, R13, R14, R18, R20, R21	-	10 k $\Omega$ (1002) $\pm$ 1%	Chip Resistor	9
13	R2, R3	-	0 $\Omega$ (0R0) $\pm$ 1%	'Chip Resistor	2
14	R6, R7, R8, R9, R23, R24	-	68 $\Omega$ (68R0) $\pm$ 1%	'Chip Resistor	6
15	R10	-	2.7 k $\Omega$ (2701) $\pm$ 1%	'Chip Resistor	1
16	R11	-	10 $\Omega$ (10R0) $\pm$ 1%	'Chip Resistor	1
17	R15, R22	-	100 k $\Omega$ (1003) $\pm$ 1%	'Chip Resistor	2
18	R16, R17	-	1.5 k $\Omega$ (1501) $\pm$ 1%	'Chip Resistor	2
19	R25, R26, R27, R28	-	2 k $\Omega$ (2001) $\pm$ 1%	'Chip Resistor	4
20	SW1	-	434133025816	4.2x3.2 mm J-Bend SMD Tact Switch	1
21	SW2	-	416131160804	SMD Dip Switch	1
22	U1	ON Semiconductor	NCV891330PD38R2G	-	1
23	U2	ON Semiconductor	PCA9655EMTTXG	-	1
24	U3, U4, U5, U6	ON Semiconductor	NCV7685G	-	4
25	U7	ON Semiconductor	RSL10-SIP	-	1
25	U8	ON Semiconductor	NCV8170BMX330TCG	-	1

Android is a registered trademark of Google LLC.

Bluetooth is a registered trademark of Bluetooth SIG.

iOS is a trademark or registered trademark of Cisco in the U.S. and other countries and is used under license by Apple Inc.

**onsemi**, **Onsemi**, and other names, marks, and brands are registered and/or common law trademarks of Semiconductor Components Industries, LLC dba "**onsemi**" or its affiliates and/or subsidiaries in the United States and/or other countries. **onsemi** owns the rights to a number of patents, trademarks, copyrights, trade secrets, and other intellectual property. A listing of **onsemi's** product/patent coverage may be accessed at [www.onsemi.com/site/pdf/Patent-Marking.pdf](http://www.onsemi.com/site/pdf/Patent-Marking.pdf). **onsemi** is an Equal Opportunity/Affirmative Action Employer. This literature is subject to all applicable copyright laws and is not for resale in any manner.

The evaluation board/kit (research and development board/kit) (hereinafter the "board") is not a finished product and is not available for sale to consumers. The board is only intended for research, development, demonstration and evaluation purposes and will only be used in laboratory/development areas by persons with an engineering/technical training and familiar with the risks associated with handling electrical/mechanical components, systems and subsystems. This person assumes full responsibility/liability for proper and safe handling. Any other use, resale or redistribution for any other purpose is strictly prohibited.

**THE BOARD IS PROVIDED BY ONSEMI TO YOU "AS IS" AND WITHOUT ANY REPRESENTATIONS OR WARRANTIES WHATSOEVER. WITHOUT LIMITING THE FOREGOING, ONSEMI (AND ITS LICENSORS/SUPPLIERS) HEREBY DISCLAIMS ANY AND ALL REPRESENTATIONS AND WARRANTIES IN RELATION TO THE BOARD, ANY MODIFICATIONS, OR THIS AGREEMENT, WHETHER EXPRESS, IMPLIED, STATUTORY OR OTHERWISE, INCLUDING WITHOUT LIMITATION ANY AND ALL REPRESENTATIONS AND WARRANTIES OF MERCHANTABILITY, FITNESS FOR A PARTICULAR PURPOSE, TITLE, NON-INFRINGEMENT, AND THOSE ARISING FROM A COURSE OF DEALING, TRADE USAGE, TRADE CUSTOM OR TRADE PRACTICE.**

**onsemi** reserves the right to make changes without further notice to any board.

You are responsible for determining whether the board will be suitable for your intended use or application or will achieve your intended results. Prior to using or distributing any systems that have been evaluated, designed or tested using the board, you agree to test and validate your design to confirm the functionality for your application. Any technical, applications or design information or advice, quality characterization, reliability data or other services provided by **onsemi** shall not constitute any representation or warranty by **onsemi**, and no additional obligations or liabilities shall arise from **onsemi** having provided such information or services.

**onsemi** products including the boards are not designed, intended, or authorized for use in life support systems, or any FDA Class 3 medical devices or medical devices with a similar or equivalent classification in a foreign jurisdiction, or any devices intended for implantation in the human body. You agree to indemnify, defend and hold harmless **onsemi**, its directors, officers, employees, representatives, agents, subsidiaries, affiliates, distributors, and assigns, against any and all liabilities, losses, costs, damages, judgments, and expenses, arising out of any claim, demand, investigation, lawsuit, regulatory action or cause of action arising out of or associated with any unauthorized use, even if such claim alleges that **onsemi** was negligent regarding the design or manufacture of any products and/or the board.

This evaluation board/kit does not fall within the scope of the European Union directives regarding electromagnetic compatibility, restricted substances (RoHS), recycling (WEEE), FCC, CE or UL, and may not meet the technical requirements of these or other related directives.

FCC WARNING – This evaluation board/kit is intended for use for engineering development, demonstration, or evaluation purposes only and is not considered by **onsemi** to be a finished end product fit for general consumer use. It may generate, use, or radiate radio frequency energy and has not been tested for compliance with the limits of computing devices pursuant to part 15 of FCC rules, which are designed to provide reasonable protection against radio frequency interference. Operation of this equipment may cause interference with radio communications, in which case the user shall be responsible, at its expense, to take whatever measures may be required to correct this interference.

**onsemi** does not convey any license under its patent rights nor the rights of others.

LIMITATIONS OF LIABILITY: **onsemi** shall not be liable for any special, consequential, incidental, indirect or punitive damages, including, but not limited to the costs of requalification, delay, loss of profits or goodwill, arising out of or in connection with the board, even if **onsemi** is advised of the possibility of such damages. In no event shall **onsemi's** aggregate liability from any obligation arising out of or in connection with the board, under any theory of liability, exceed the purchase price paid for the board, if any.

The board is provided to you subject to the license and other terms per **onsemi's** standard terms and conditions of sale. For more information and documentation, please visit [www.onsemi.com](http://www.onsemi.com).

## PUBLICATION ORDERING INFORMATION

### LITERATURE FULFILLMENT:

Email Requests to: [orderlit@onsemi.com](mailto:orderlit@onsemi.com)

**onsemi Website:** [www.onsemi.com](http://www.onsemi.com)

### TECHNICAL SUPPORT

**North American Technical Support:**

Voice Mail: 1 800-282-9855 Toll Free USA/Canada

Phone: 011 421 33 790 2910

**Europe, Middle East and Africa Technical Support:**

Phone: 00421 33 790 2910

For additional information, please contact your local Sales Representative