

AP0101AT2L00XPGAH3-GEVB

AP0101AT Evaluation Board User's Manual



ON Semiconductor®

www.onsemi.com

EVAL BOARD USER'S MANUAL

Evaluation Board Overview

The evaluation boards are designed to demonstrate the features of ON Semiconductor's image sensors products. This headboard is intended to plug directly into the Demo 3 system. Test points and jumpers on the board provide access to the clock, I/Os, and other miscellaneous signals.

Features

- Clock Input
 - ◆ Default – 27 MHz Crystal Oscillator
 - ◆ Optional Demo 3 Controlled MClk
- Two Wire Serial Interface
- Parallel Interface
- HiSPi (High Speed Serial Pixel) Interface
- ROHS Compliant

Block Diagram



Figure 1. AP0101AT Evaluation Board

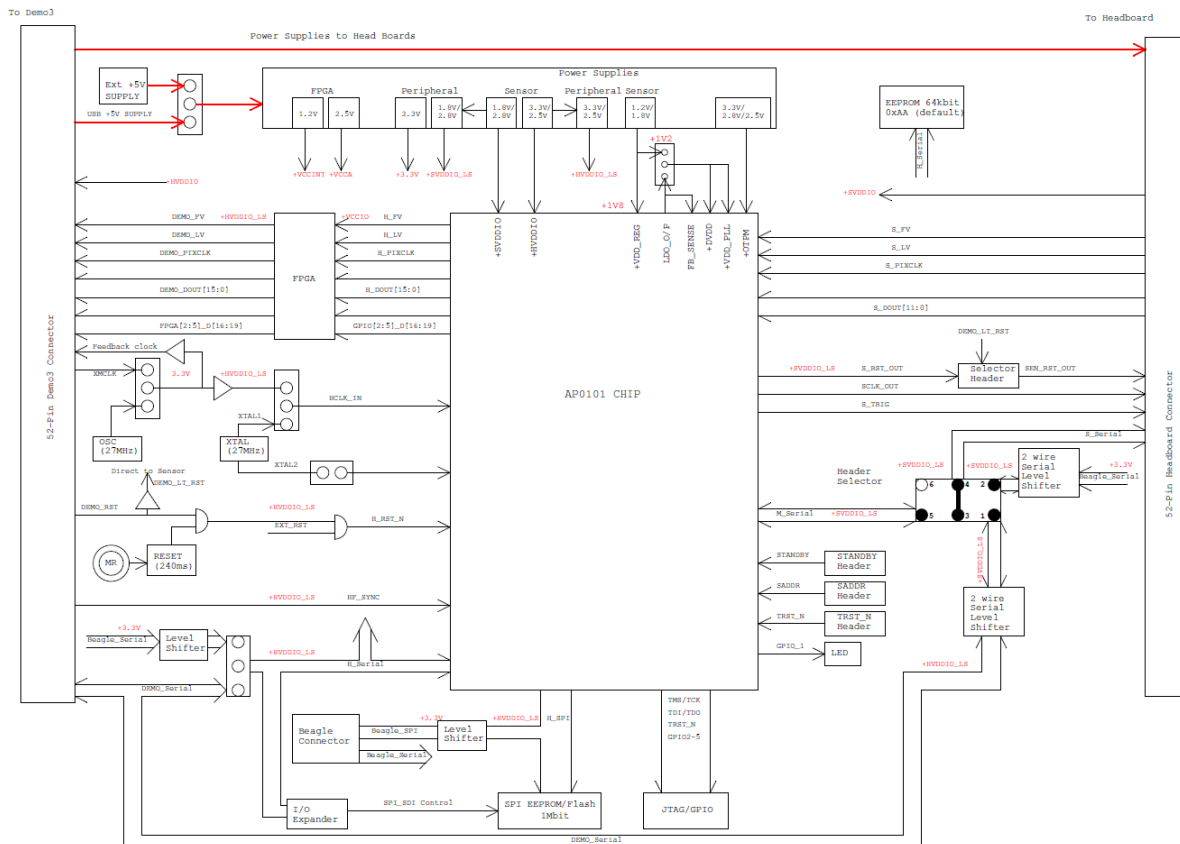


Figure 2. Block Diagram of AP0101AT2L00XPGAH3-GEVB

AP0101AT2L00XPGAH3-GEVB

Top View

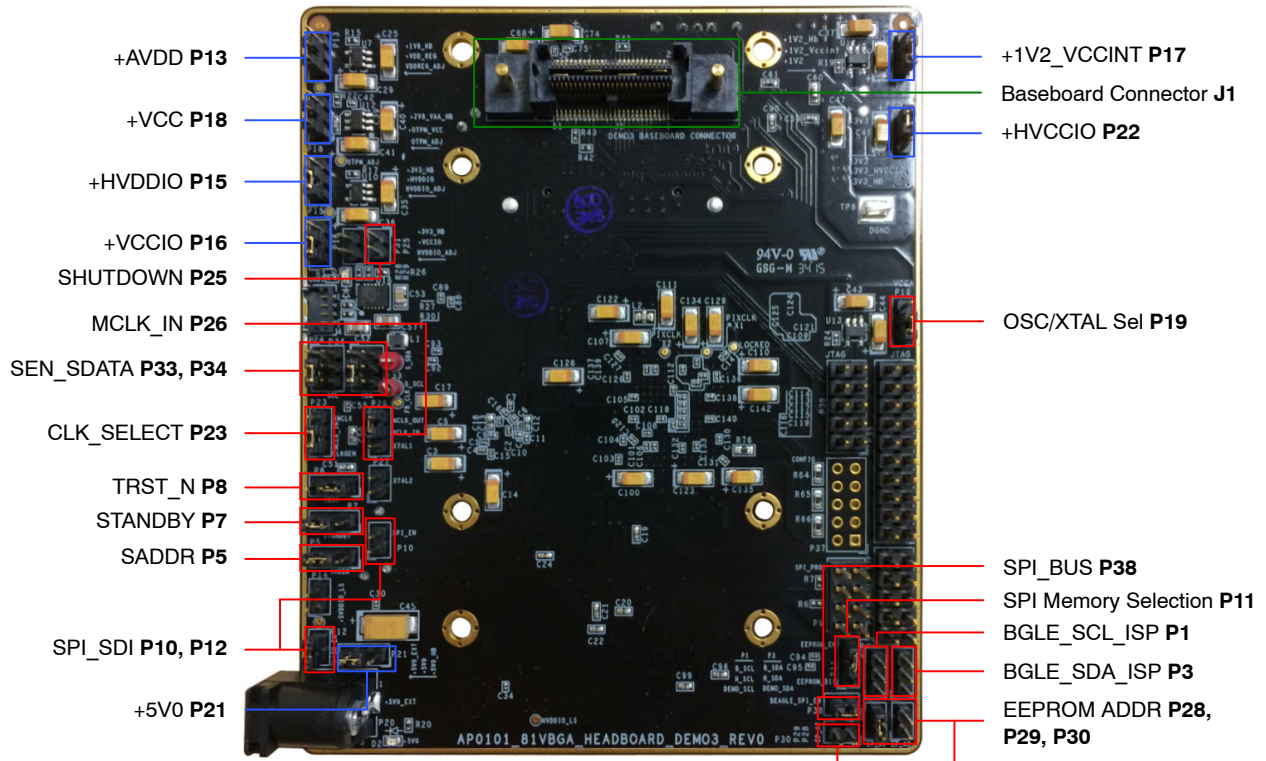


Figure 3. Top View of the Board with Default Jumpers

Bottom View

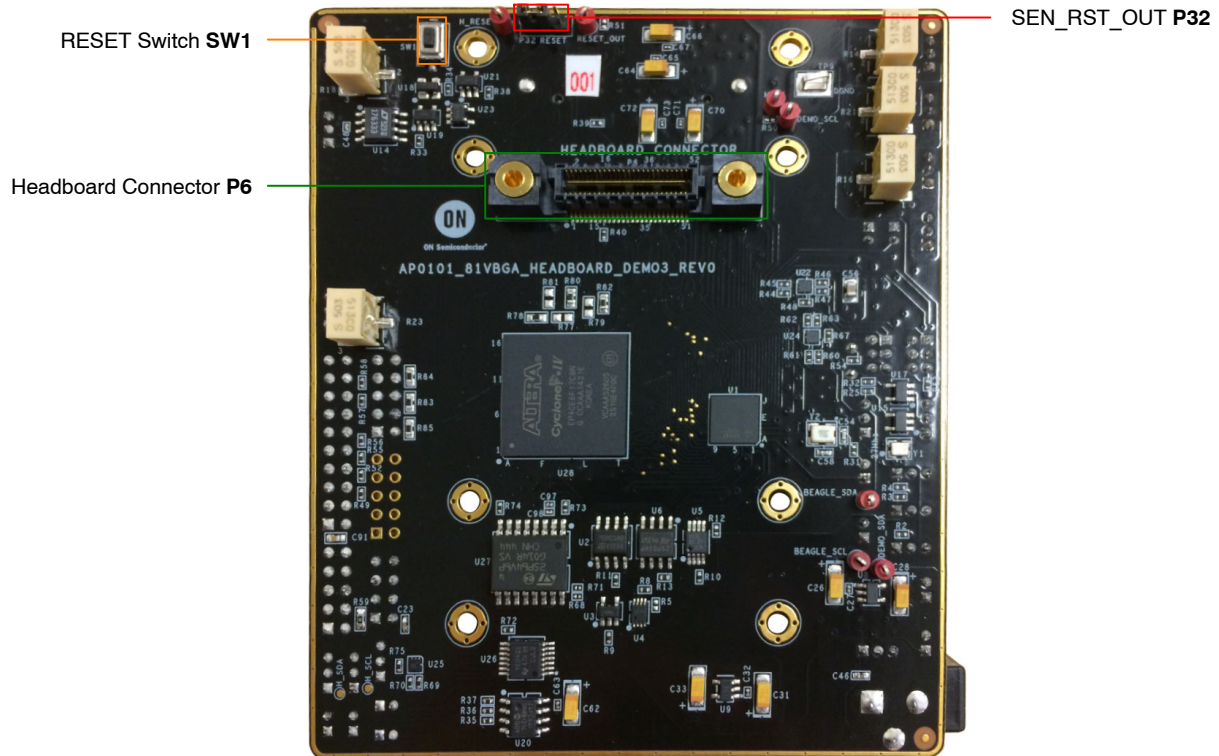


Figure 4. Bottom View of the Board

Jumper Pin Locations

The jumpers on headboards start with Pin 1 on the leftmost side of the pin. Grouped jumpers increase in pin size with each jumper added.



Figure 5. Pin Locations for a Single Jumper. Pin 1 is Located at the Leftmost Side and Increases as it Moves to the Right

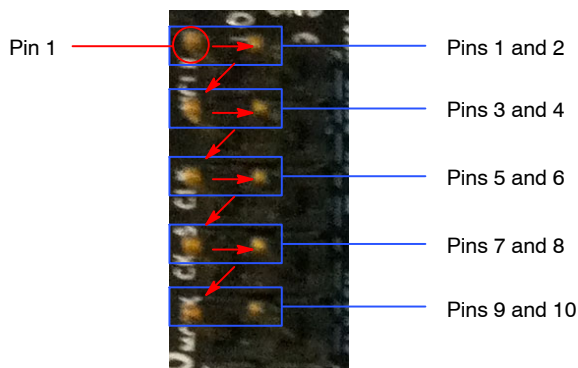


Figure 6. Pin Locations and Assignments of Grouped Jumpers. Pin 1 is Located at the Top-Left Corner and Increases in a Zigzag Fashion Shown in the Picture

Jumper/Header Functions & Default Positions

Table 1. JUMPERS AND HEADERS

Jumper/Header No.	Jumper/Header Name	Pins	Description
P1	BGLE_SCL_ISP	1-2 (Default)	Demo 3 Baseboard I ² C is Master
		2-3	Beagle Board is Master
P3	BGLE_SDA_ISP	1-2 (Default)	Demo 3 Baseboard I ² C is Master
		2-3	Beagle Board is Master
P5	SADDR	1-2(Default)	SADDR: Address Set to 0x90
		2-3	SADDR: Address Set to 0xBA
P7	STANDBY	2-3 (Default)	Active Mode
		1-2	Standby Mode
		Open	Auto Serial Control
P8	TRST_N	1-2(Default)	Test Mode
		2-3	Reset Mode
P11	SPI Memory Selection	2-3 (Default)	EEPROM Disable/Flash Enable
		1-2	Flash Disable/EEPROM Enable
P10, P12	SPI_SDI	P10 Open, P12 1-2 (Default)	HOST Mode
		P10 Open, P12 1-2	FLASH Mode
		P10 1-2, P12 1-2	AUTO Config Mode

AP0101AT2L00XPGAH3-GEVB

Table 1. JUMPERS AND HEADERS (continued)

Jumper/Header No.	Jumper/Header Name	Pins	Description
P13	+AVDD	1-2(Default)	Adjusts On-Board Regulator to +1.8 V, Internal Regulator use
		2-3	+1.8 V Supply from Demo 3
P15	+HVDDIO	1-2(Default)	Connects to On-Board +HVDDIO Power Supply
		2-3	External Power Supply Connection
P16	+VCCIO	1-2(Default)	Connects to On-Board +HVDDIO Power Supply
		2-3	External Power Supply Connection
		2-3	Selects External Demo 3 Clock
P17	+1V2_VCCINT	1-2(Default)	Connects to On-Board +VCCINT Power Supply
		2-3	External Power Supply Connection
P18	+VCC	1-2(Default)	Connects to On-Board +VCC Power Supply
		2-3	External Power Supply Connection
P21	+5V0	1-2(Default)	Connects to On-Board +5.0 V Power Supply
		2-3	External Power Supply Connection
P22	+HVCCIO	1-2(Default)	Connects to On-Board +3.3 V Power Supply
		2-3	External Power Supply Connection
P23	CLK_SELECT	1-2(Default)	Selects On-Board 27 MHz Oscillator
P25	SHUTDOWN	Open (Default)	Shutdown
		Closed	Normal Mode
P26	MCLK_IN	1-2 (Default)	Selects MCLK_IN Signal
		2-3	Selects Crystal Clock
P27	XTAL_SEL	Open (Default)	Selects Oscillator/Demo 3 Clock for XTAL2
		Closed	Selects Crystal Clock
P28, P29, P30	EEPROM ADDR	P28 Open, P29 Closed, P30 Open	EEPROM Address Set to 0xAA (Default)
		P28 Closed, P29 Closed, P30 Open	EEPROM Address Set to 0xA2
		P28 Closed, P29 Open, P30 Open	EEPROM Address Set to 0xA6
		P28 Open, P29 Open, P30 Open	EEPROM Address Set to 0xAE
P32	SEN_RST_OUT	2-3 (Default)	AP0101 Reset
		1-2	Demo 3 Reset
P33, P34	SEN_SDATA	3-5 (Default)	ISP Serial Control
		1-2	Beagle to ISP Serial Control
		1-3	Demo 3 Serial Control
		2-4	Beagle to Sensor Serial Control
P38	SPI_BUS	Closed (Default)	Beagle No Access to SPI Bus
		Open	Beagle Access to SPI Bus
SW1	RESET	N/A	When Pushed, 240 ms Reset Signal will be Sent to AP0101 Chip

AP0101AT2L00XPGAH3-GEVB

Interfacing to ON Semiconductor Demo 3 Baseboard

The ON Semiconductor Demo 3 headboard has a similar 52-pin connector which mates with P6 of the adapter board. The ON Semiconductor Demo 3 baseboard has a similar

52-pin connector which mates with J1 of the adapter board. The four mounting holes secure the baseboard and the headboard with spacers and screws.

onsemi, **Onsemi**, and other names, marks, and brands are registered and/or common law trademarks of Semiconductor Components Industries, LLC dba "**onsemi**" or its affiliates and/or subsidiaries in the United States and/or other countries. **onsemi** owns the rights to a number of patents, trademarks, copyrights, trade secrets, and other intellectual property. A listing of **onsemi**'s product/patent coverage may be accessed at www.onsemi.com/site/pdf/Patent-Marking.pdf. **onsemi** is an Equal Opportunity/Affirmative Action Employer. This literature is subject to all applicable copyright laws and is not for resale in any manner.

The evaluation board/kit (research and development board/kit) (hereinafter the "board") is not a finished product and is not available for sale to consumers. The board is only intended for research, development, demonstration and evaluation purposes and will only be used in laboratory/development areas by persons with an engineering/technical training and familiar with the risks associated with handling electrical/mechanical components, systems and subsystems. This person assumes full responsibility/liability for proper and safe handling. Any other use, resale or redistribution for any other purpose is strictly prohibited.

THE BOARD IS PROVIDED BY ONSEMI TO YOU "AS IS" AND WITHOUT ANY REPRESENTATIONS OR WARRANTIES WHATSOEVER. WITHOUT LIMITING THE FOREGOING, ONSEMI (AND ITS LICENSORS/SUPPLIERS) HEREBY DISCLAIMS ANY AND ALL REPRESENTATIONS AND WARRANTIES IN RELATION TO THE BOARD, ANY MODIFICATIONS, OR THIS AGREEMENT, WHETHER EXPRESS, IMPLIED, STATUTORY OR OTHERWISE, INCLUDING WITHOUT LIMITATION ANY AND ALL REPRESENTATIONS AND WARRANTIES OF MERCHANTABILITY, FITNESS FOR A PARTICULAR PURPOSE, TITLE, NON-INFRINGEMENT, AND THOSE ARISING FROM A COURSE OF DEALING, TRADE USAGE, TRADE CUSTOM OR TRADE PRACTICE.

onsemi reserves the right to make changes without further notice to any board.

You are responsible for determining whether the board will be suitable for your intended use or application or will achieve your intended results. Prior to using or distributing any systems that have been evaluated, designed or tested using the board, you agree to test and validate your design to confirm the functionality for your application. Any technical, applications or design information or advice, quality characterization, reliability data or other services provided by **onsemi** shall not constitute any representation or warranty by **onsemi**, and no additional obligations or liabilities shall arise from **onsemi** having provided such information or services.

onsemi products including the boards are not designed, intended, or authorized for use in life support systems, or any FDA Class 3 medical devices or medical devices with a similar or equivalent classification in a foreign jurisdiction, or any devices intended for implantation in the human body. You agree to indemnify, defend and hold harmless **onsemi**, its directors, officers, employees, representatives, agents, subsidiaries, affiliates, distributors, and assigns, against any and all liabilities, losses, costs, damages, judgments, and expenses, arising out of any claim, demand, investigation, lawsuit, regulatory action or cause of action arising out of or associated with any unauthorized use, even if such claim alleges that **onsemi** was negligent regarding the design or manufacture of any products and/or the board.

This evaluation board/kit does not fall within the scope of the European Union directives regarding electromagnetic compatibility, restricted substances (RoHS), recycling (WEEE), FCC, CE or UL, and may not meet the technical requirements of these or other related directives.

FCC WARNING – This evaluation board/kit is intended for use for engineering development, demonstration, or evaluation purposes only and is not considered by **onsemi** to be a finished end product fit for general consumer use. It may generate, use, or radiate radio frequency energy and has not been tested for compliance with the limits of computing devices pursuant to part 15 of FCC rules, which are designed to provide reasonable protection against radio frequency interference. Operation of this equipment may cause interference with radio communications, in which case the user shall be responsible, at its expense, to take whatever measures may be required to correct this interference.

onsemi does not convey any license under its patent rights nor the rights of others.

LIMITATIONS OF LIABILITY: **onsemi** shall not be liable for any special, consequential, incidental, indirect or punitive damages, including, but not limited to the costs of requalification, delay, loss of profits or goodwill, arising out of or in connection with the board, even if **onsemi** is advised of the possibility of such damages. In no event shall **onsemi**'s aggregate liability from any obligation arising out of or in connection with the board, under any theory of liability, exceed the purchase price paid for the board, if any.

The board is provided to you subject to the license and other terms per **onsemi**'s standard terms and conditions of sale. For more information and documentation, please visit www.onsemi.com.

PUBLICATION ORDERING INFORMATION

LITERATURE FULFILLMENT:

Email Requests to: orderlit@onsemi.com

onsemi Website: www.onsemi.com

TECHNICAL SUPPORT

North American Technical Support:

Voice Mail: 1 800-282-9855 Toll Free USA/Canada

Phone: 011 421 33 790 2910

Europe, Middle East and Africa Technical Support:

Phone: 00421 33 790 2910

For additional information, please contact your local Sales Representative