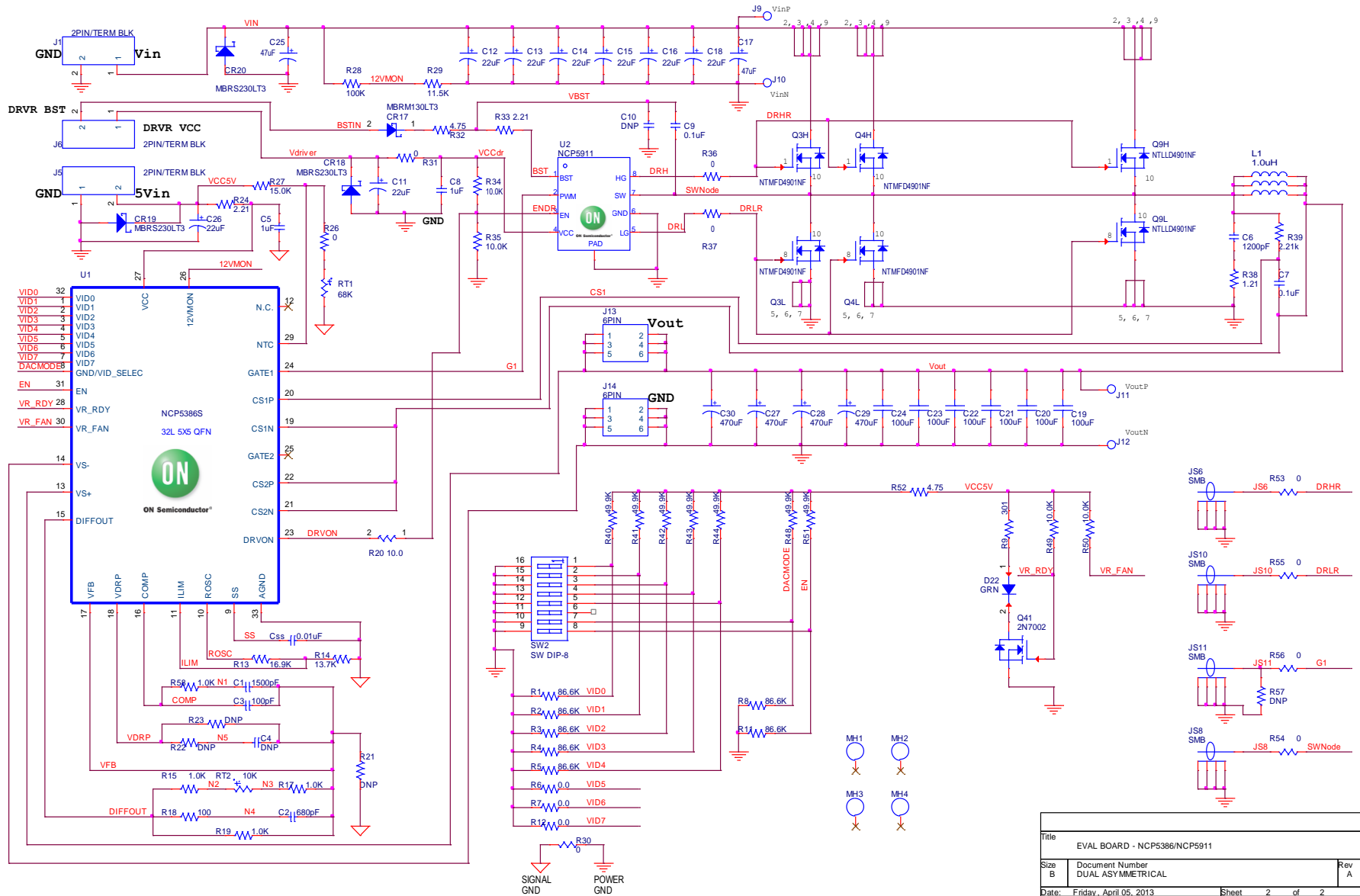




# Schematic for the DUALASYMA5VGEVB Evaluation Board



Title		
EVAL BOARD - NCP5386/NCP5911		
Size	Document Number	Rev
B	DUAL ASYMMETRICAL	A
Date:	Friday, April 05, 2013	Sheet 2 of 2