

ON Semiconductor

Is Now

onsemi™

To learn more about onsemi™, please visit our website at
www.onsemi.com

onsemi and **onsemi** and other names, marks, and brands are registered and/or common law trademarks of Semiconductor Components Industries, LLC dba "**onsemi**" or its affiliates and/or subsidiaries in the United States and/or other countries. **onsemi** owns the rights to a number of patents, trademarks, copyrights, trade secrets, and other intellectual property. A listing of **onsemi** product/patent coverage may be accessed at www.onsemi.com/site/pdf/Patent-Marking.pdf. **onsemi** reserves the right to make changes at any time to any products or information herein, without notice. The information herein is provided "as-is" and **onsemi** makes no warranty, representation or guarantee regarding the accuracy of the information, product features, availability, functionality, or suitability of its products for any particular purpose, nor does **onsemi** assume any liability arising out of the application or use of any product or circuit, and specifically disclaims any and all liability, including without limitation special, consequential or incidental damages. Buyer is responsible for its products and applications using **onsemi** products, including compliance with all laws, regulations and safety requirements or standards, regardless of any support or applications information provided by **onsemi**. "Typical" parameters which may be provided in **onsemi** data sheets and/or specifications can and do vary in different applications and actual performance may vary over time. All operating parameters, including "Typicals" must be validated for each customer application by customer's technical experts. **onsemi** does not convey any license under any of its intellectual property rights nor the rights of others. **onsemi** products are not designed, intended, or authorized for use as a critical component in life support systems or any FDA Class 3 medical devices or medical devices with a same or similar classification in a foreign jurisdiction or any devices intended for implantation in the human body. Should Buyer purchase or use **onsemi** products for any such unintended or unauthorized application, Buyer shall indemnify and hold **onsemi** and its officers, employees, subsidiaries, affiliates, and distributors harmless against all claims, costs, damages, and expenses, and reasonable attorney fees arising out of, directly or indirectly, any claim of personal injury or death associated with such unintended or unauthorized use, even if such claim alleges that **onsemi** was negligent regarding the design or manufacture of the part. **onsemi** is an Equal Opportunity/Affirmative Action Employer. This literature is subject to all applicable copyright laws and is not for resale in any manner. Other names and brands may be claimed as the property of others.



7 W, Non-Isolated Buck AC-DC Converter

ON Semiconductor

Device	Application	Input Voltage	Output Power	Topology	I/O Isolation
NCP1055	1 Output AC to DC converter	108-132 Vac	7 Watts	Non-Isolated Buck Converter	No

Other Specifications

	Output
Output Voltage	91 V
Ripple	3 V
Nominal Current	75 mA
Max Current	100 mA
Min Current	8 mA

PFC (Yes/No)	No
Inrush Limiting / Fuse	None
Cooling Method/Supply Orientation	Convection

Circuit Description

This design note explains the changes required to modify the NCP1052 Buck Demo Board's (AND8098/D) output from 12V/100mA into 91V/75mA. Please read the original NCP1052 evaluation board manual for reference¹.

Design Considerations

NCP105X and Inductor

The first step in the design process is determining which version of the NCP105x to use. Refer to the "NCP105x Discontinuous Mode Flyback Design Worksheet"². The desired input voltages of this particular board range from 108 to 132 Vac (about 150 Vdc to 190 Vdc). The inductor is chosen to be around 390 μ H, a slightly reduced value compared to the original NCP1052 circuit. The result from table 1 of the Worksheet indicates that the NCP1055 at 136 kHz can be used for the desired output power of 7 W. A different version NCP105X may be suggested by the Worksheet by simply changing the inductor value. The NCP1055 136 kHz version is used in this design.

Zener Diodes

The output voltage of the converter is set by the breakdown voltage of Z1. The breakdown voltage of the diode is calculated using the equation below:

$$V_{Z1} = V_{out} - 5V$$

This equation comes from application note AND8098/D. A 91 V output is achieved using an 86 V Zener. The breakdown of zener diodes can be added in series to obtain the desired breakdown voltage. In this design two 43 V Zeners in series are used for Z1. Zener diode Z1 is used in the original NCP1052 board to clamp the voltage down at light or no load. However, the higher voltage of this design requires a higher power dummy load (R2) to maintain the output in regulation when no load is present. It may be possible to use a lower frequency version of the NCP1055 and reduce the power rating of R2.

Capacitors

Since the output voltage is increased to 91V, the output capacitor (C5) must be changed. An electrolytic capacitor is used as they are more readily available at this voltage level. The value of C5 is reduced to reduce cost. The value of the bulk input capacitor (C3) is increased from 10 μ F to 33 μ F to reduce the input voltage ripple to 3 V. C3 and C5 can be increased to reduce the output voltage ripple, or they may be reduced to reduce cost. Capacitor C2 is increased to increase the startup time. Finally, a filtering capacitor (C4) is added between the feedback pin and source pin to reduce noise into the feedback pin; this is a very important addition to the board.

Unchanged Components

Diodes D1, D2, D3, D4 and Capacitor C1 remain the same as the original NCP1052 board.

¹ Available at http://www.onsemi.com/pub/Collateral/NCP1052EVB_MANUAL.PDF.

² Available at http://www.onsemi.com/pub/Collateral/NCP105X_WORKSHEET.XLS

DN06028/D

Key Features

- Low-cost, simple design
- Relatively few changes for output voltage change
- Self-powered from high input voltage
- Frequency jittering for low electromagnetic interference(EMI)
- Thermal and short circuit fault protection

Schematic

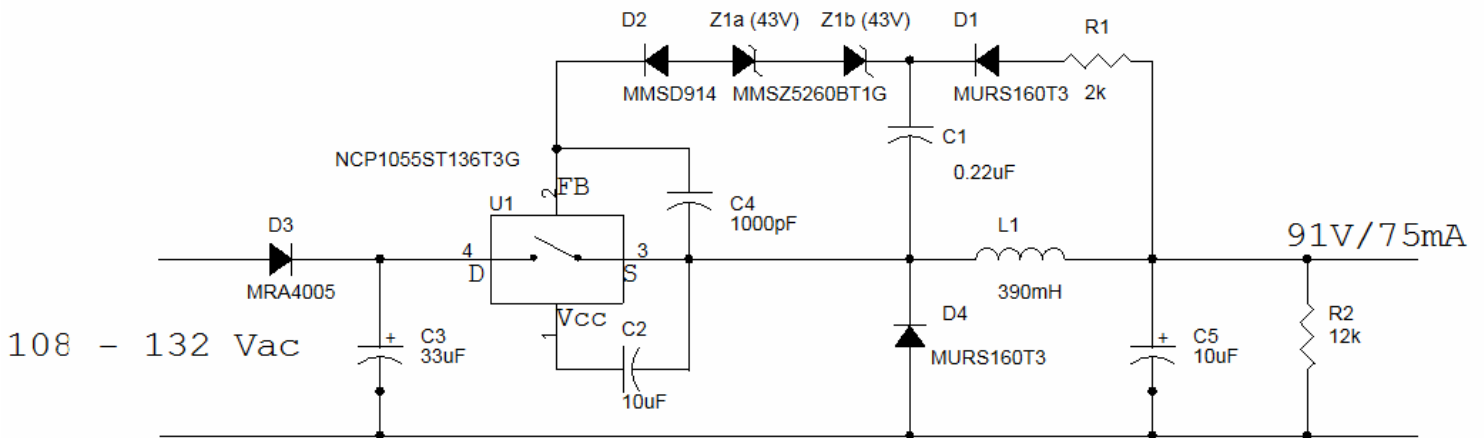


Figure 1: Circuit Schematic

Bill of Materials

Designator	Quantity	Description	Value	Tolerance	Manufacturer	Manufacturer Part Number
U1	1	Switching Regulator	680 mA / 136 kHz	N/A	ON Semiconductor	NCP1055ST136G
D1, D4	2	Ultrafast Diode	1 A / 600 V	N/A	ON Semiconductor	MURS160T3
D2	1	Switching Diode	200 mA / 100 V	N/A	ON Semiconductor	MMSD914T1
D3	1	General Diode	1 A / 600 V	N/A	ON Semiconductor	MRA4006T1
Z1a, Z1b	2	Zener Diode	43 V	5%	ON Semiconductor	MMSZ5260BT1G
R1	1	Chip Resistor	2 kΩ / 250 mW	5%	Vishay	CRCW12062K00JNEA
R2	1	Axial Resistor	12 kΩ / 1 W	10%	Ohmite	OX123KE
C1	1	Ceramic Capacitor	0.22 μF / 50 V	10%	Vishay	VJ1206Y224KXXA
C2	1	Tantalum Capacitor	10 μF / 25 V	10%	Vishay	595D106X9025B2T
C3	1	Electrolytic Capacitor	33 μF / 450 V	20%	Panasonic	ECA-2WM330
C4	1	Ceramic Capacitor	1000 pF / 50 V	10%	Vishay	VJ1206Y102KXXA
C5	1	Electrolytic Capacitor	10 μF / 250 V	20%	Panasonic	ECA-2EM100
L1	1	Inductor	390 μH / 450 mA	20%	Coilcraft	RFB0807-391L

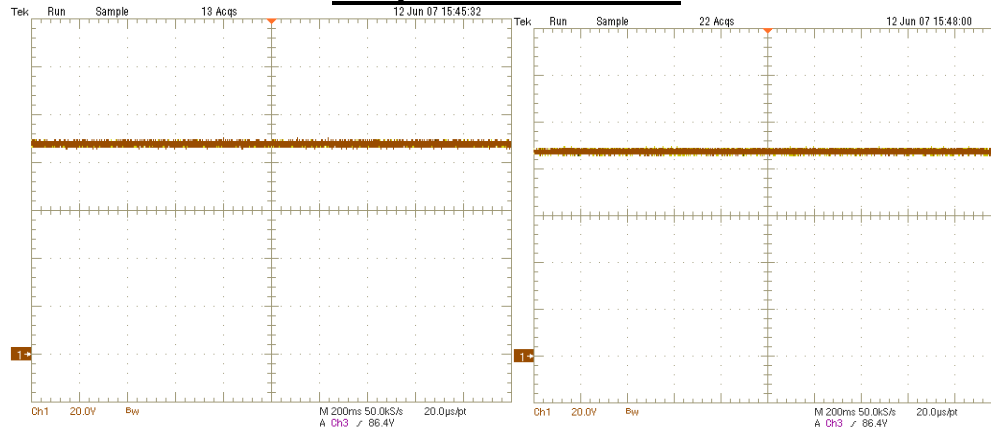
Output Waveforms*

Figure 2: 89V Output at Full Load
(Left: Vin=108Vac, Right: Vin=132Vac)

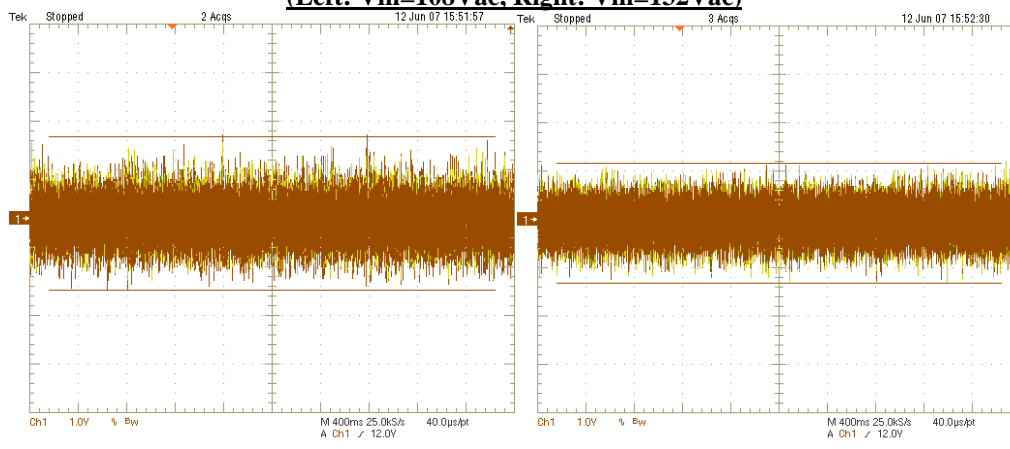


Figure 3: 89V Output 3V Ripple
(Left: Vin=108Vac, Right: Vin=132Vac)

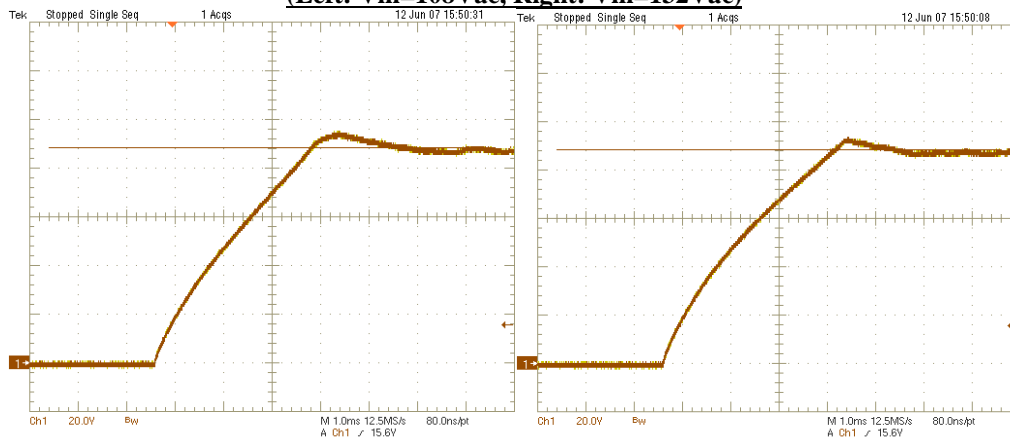


Figure 4: 89V Output at Startup
(Left: Vin=108Vac, Right: Vin=132Vac)

*Note: output waveforms in Figures 2 through 4 were taken using an 89 V version of the board. The only difference being the breakdown voltage of the Zener diodes.

© 2007 ON Semiconductor.

Disclaimer: ON Semiconductor is providing this design note "AS IS" and does not assume any liability arising from its use; nor does ON Semiconductor convey any license to its or any third party's intellectual property rights. This document is provided only to assist customers in evaluation of the referenced circuit implementation and the recipient assumes all liability and risk associated with its use, including, but not limited to, compliance with all regulatory standards. ON Semiconductor may change any of its products at any time, without notice.

Design note created by David Berdy, e-mail: David.Berdy@onsemi.com