

Automotive Dome Lamp



ON Semiconductor®

www.onsemi.com

Description

LEDs are becoming more and more popular in automobile design and styling. One of the applications where they are being used is dome lamps, reading lamps, and for trunk illumination. This application note goes over a simple, yet cost-effective solution to drive a High Brightness LED in these applications using the NCV3065 or NCV3066.

The NCV3065 (no enable) and NCV3066 (with enable) are monolithic switching regulators from ON Semiconductor designed specifically to drive High Brightness LEDs (HB LEDs). They feature an on-board power switch and a low feedback voltage of only 235 mV which is used to regulate the average current in the LED. Together these make an incredibly cost effective solution for driving these LED applications.

APPLICATION NOTE

An inductor in a buck regulator makes for a great constant current source, since the current in an inductor cannot change instantly. The circuit in Figure 1 below shows the HB LED in series with the inductor. In a typical buck regulator application one would also have an output capacitor to ground to create a constant voltage source, but since we are interested in current and not the output voltage, these capacitors can be removed, which saves on the overall bill of material.

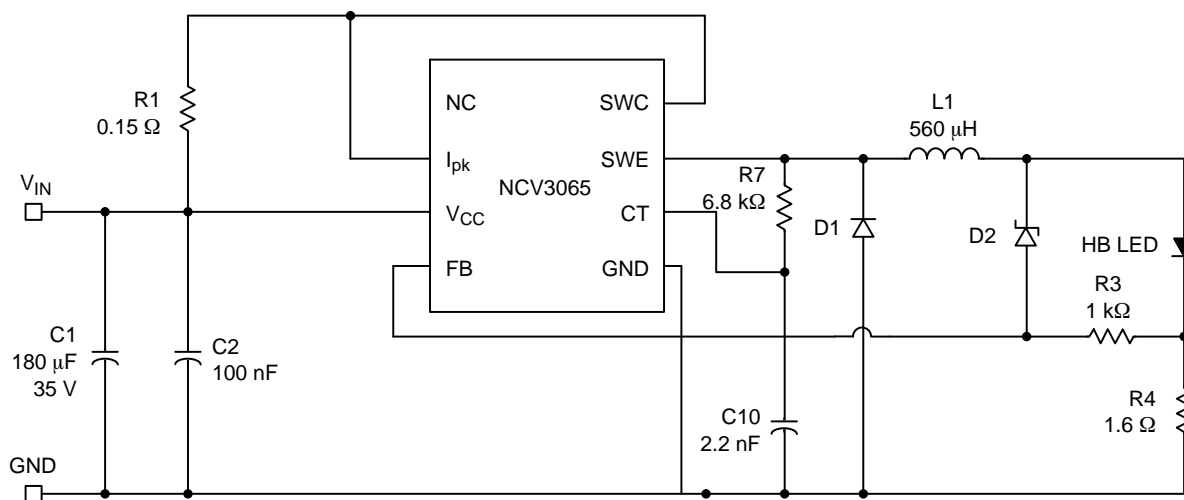



Figure 1. The NCV3066 used as a Buck Regulator

With a feedback voltage of 235 mV, the above circuit is setup for roughly 150 mA of current through the HB LED ($235 \text{ mV} / 1.6 \Omega = 147 \text{ mA}$). R1 is used to protect the device for output short circuits by limiting the peak switch current. R7 is used to modify the max duty cycle which helps eliminate pulse skipping which can sometimes occur, while C10 sets up the switching frequency (more information on this feed-forward design technique can be found in our application note [AND8284/D](#)). D1 is a Schottky diode

which provides a current path for the inductor when the main power switch is off. And R3 and zener diode D2 provide protection to the circuit in case the LED becomes open circuited.

More information on how to design using the NCV3065/66 can be found on our website, where there is a design tool and a number of other design notes available. For more information on eliminating the output capacitors, see application note [AND8298/D](#).

ON Semiconductor and  are trademarks of Semiconductor Components Industries, LLC dba ON Semiconductor or its subsidiaries in the United States and/or other countries. ON Semiconductor owns the rights to a number of patents, trademarks, copyrights, trade secrets, and other intellectual property. A listing of ON Semiconductor's product/patent coverage may be accessed at www.onsemi.com/site/pdf/Patent-Marking.pdf. ON Semiconductor reserves the right to make changes without further notice to any products herein. ON Semiconductor makes no warranty, representation or guarantee regarding the suitability of its products for any particular purpose, nor does ON Semiconductor assume any liability arising out of the application or use of any product or circuit, and specifically disclaims any and all liability, including without limitation special, consequential or incidental damages. Buyer is responsible for its products and applications using ON Semiconductor products, including compliance with all laws, regulations and safety requirements or standards, regardless of any support or applications information provided by ON Semiconductor. "Typical" parameters which may be provided in ON Semiconductor data sheets and/or specifications can and do vary in different applications and actual performance may vary over time. All operating parameters, including "Typicals" must be validated for each customer application by customer's technical experts. ON Semiconductor does not convey any license under its patent rights nor the rights of others. ON Semiconductor products are not designed, intended, or authorized for use as a critical component in life support systems or any FDA Class 3 medical devices or medical devices with a same or similar classification in a foreign jurisdiction or any devices intended for implantation in the human body. Should Buyer purchase or use ON Semiconductor products for any such unintended or unauthorized application, Buyer shall indemnify and hold ON Semiconductor and its officers, employees, subsidiaries, affiliates, and distributors harmless against all claims, costs, damages, and expenses, and reasonable attorney fees arising out of, directly or indirectly, any claim of personal injury or death associated with such unintended or unauthorized use, even if such claim alleges that ON Semiconductor was negligent regarding the design or manufacture of the part. ON Semiconductor is an Equal Opportunity/Affirmative Action Employer. This literature is subject to all applicable copyright laws and is not for resale in any manner.

PUBLICATION ORDERING INFORMATION

LITERATURE FULFILLMENT:

Literature Distribution Center for ON Semiconductor
19521 E. 32nd Pkwy, Aurora, Colorado 80011 USA
Phone: 303-675-2175 or 800-344-3860 Toll Free USA/Canada
Fax: 303-675-2176 or 800-344-3867 Toll Free USA/Canada
Email: orderlit@onsemi.com

N. American Technical Support: 800-282-9855 Toll Free
USA/Canada
Europe, Middle East and Africa Technical Support:
Phone: 421 33 790 2910
Japan Customer Focus Center
Phone: 81-3-5817-1050

ON Semiconductor Website: www.onsemi.com
Order Literature: <http://www.onsemi.com/orderlit>

For additional information, please contact your local Sales Representative