

# ON Semiconductor

## Is Now

# onsemi™

To learn more about onsemi™, please visit our website at  
[www.onsemi.com](http://www.onsemi.com)

---

**onsemi** and **onsemi** and other names, marks, and brands are registered and/or common law trademarks of Semiconductor Components Industries, LLC dba "**onsemi**" or its affiliates and/or subsidiaries in the United States and/or other countries. **onsemi** owns the rights to a number of patents, trademarks, copyrights, trade secrets, and other intellectual property. A listing of **onsemi** product/patent coverage may be accessed at [www.onsemi.com/site/pdf/Patent-Marking.pdf](http://www.onsemi.com/site/pdf/Patent-Marking.pdf). **onsemi** reserves the right to make changes at any time to any products or information herein, without notice. The information herein is provided "as-is" and **onsemi** makes no warranty, representation or guarantee regarding the accuracy of the information, product features, availability, functionality, or suitability of its products for any particular purpose, nor does **onsemi** assume any liability arising out of the application or use of any product or circuit, and specifically disclaims any and all liability, including without limitation special, consequential or incidental damages. Buyer is responsible for its products and applications using **onsemi** products, including compliance with all laws, regulations and safety requirements or standards, regardless of any support or applications information provided by **onsemi**. "Typical" parameters which may be provided in **onsemi** data sheets and/or specifications can and do vary in different applications and actual performance may vary over time. All operating parameters, including "Typicals" must be validated for each customer application by customer's technical experts. **onsemi** does not convey any license under any of its intellectual property rights nor the rights of others. **onsemi** products are not designed, intended, or authorized for use as a critical component in life support systems or any FDA Class 3 medical devices or medical devices with a same or similar classification in a foreign jurisdiction or any devices intended for implantation in the human body. Should Buyer purchase or use **onsemi** products for any such unintended or unauthorized application, Buyer shall indemnify and hold **onsemi** and its officers, employees, subsidiaries, affiliates, and distributors harmless against all claims, costs, damages, and expenses, and reasonable attorney fees arising out of, directly or indirectly, any claim of personal injury or death associated with such unintended or unauthorized use, even if such claim alleges that **onsemi** was negligent regarding the design or manufacture of the part. **onsemi** is an Equal Opportunity/Affirmative Action Employer. This literature is subject to all applicable copyright laws and is not for resale in any manner. Other names and brands may be claimed as the property of others.



ON Semiconductor

## Extremely Low Power Off-line Supply

Device	Application	Input Voltage	Output Power	Topology	I/O Isolation
NCP1050	Sensors	90 - 300 Vac	15 mW	Flyback	None

### Other Specifications

Output Voltage	5 Vdc
Nominal Current	3 mA
Input Consumption	<0.5 mArms

### Introduction

There are many power solutions that comply with the Energy Star directives for stand-by / no load consumption. Most of them rely on converters that switch in bursts or get into skipping mode.

The NCP1050 is a good candidate for such applications and this design note describes a simple off-line power supply that operates at a very low power consumption. It is used to power up a motion / infrared sensor and the logic circuit associated with it. This supply provides 15 mW output power while consuming only 0.5 mA from the AC line in order not to trip the GFCI protection.

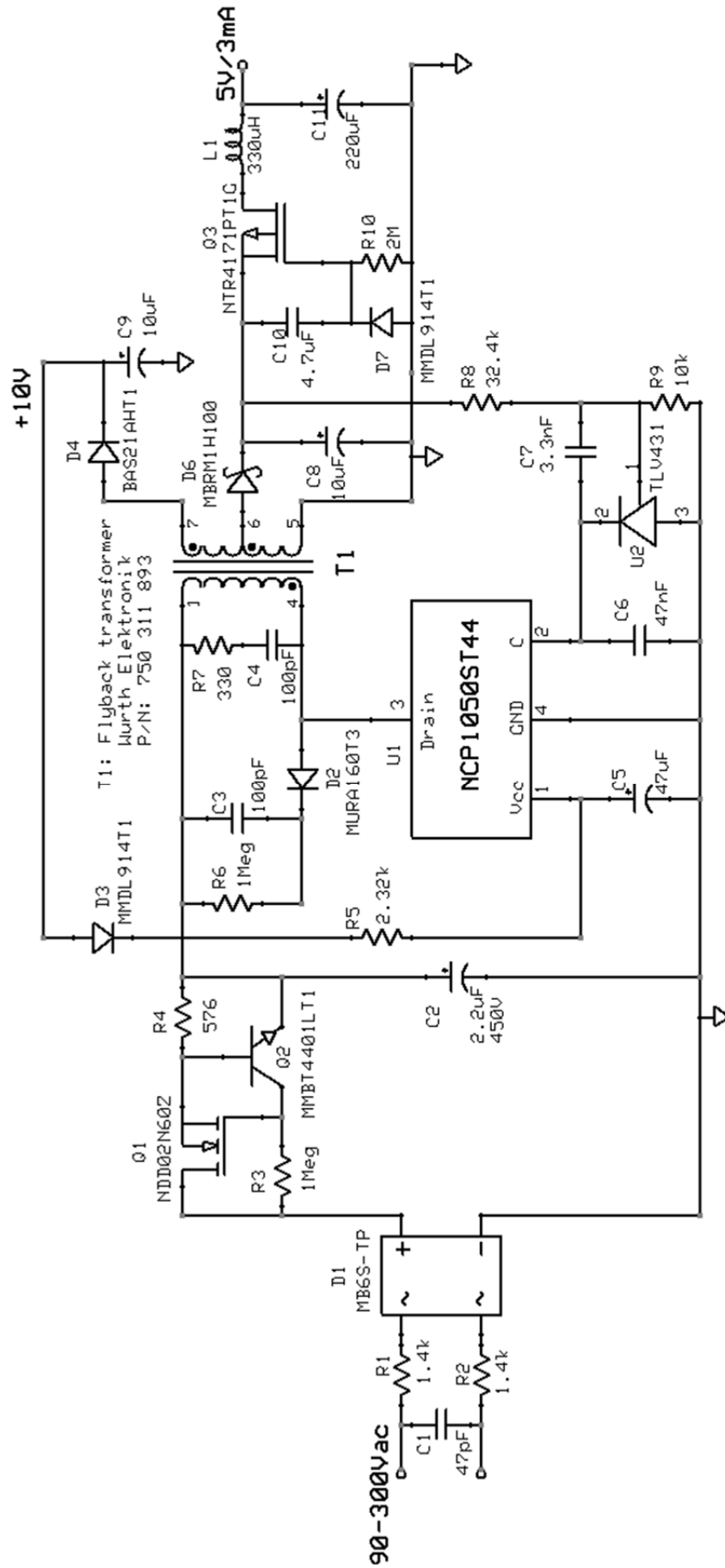
### Circuit Description

The NCP105X family of gated oscillator type converters is very suitable for this application. In order to minimize losses the NCP1050 is chosen because it has the lowest peak current level in the family and provides 44 kHz operation.

The circuit is a typical flyback and since no isolation is required it is pretty simple. The secondary has basically two windings: one provides the main output (5 V) and the other one provides the bias (10 V) for the NCP1050. Although the NCP1050 can be self biased, using an extra winding for bias results in even lower power consumption.

The input filtering capacitor (C2) needs to have a very low value in order to minimize the rms input current. A 2.2  $\mu$ F value works very well. To reduce even more the current spikes due to the input capacitor being charged each cycle, a current limiter (Q1 – Q2) is also added. With all these precautions the converter produces 5 V / 3 mA output while consuming 0.49 mA at 110 Vac while maintaining the inrush current below 2 mA. Input power at 110 Vac input was 51 mW (measured with Yokogawa WT210 power meter and averaged over a 2 minute period).

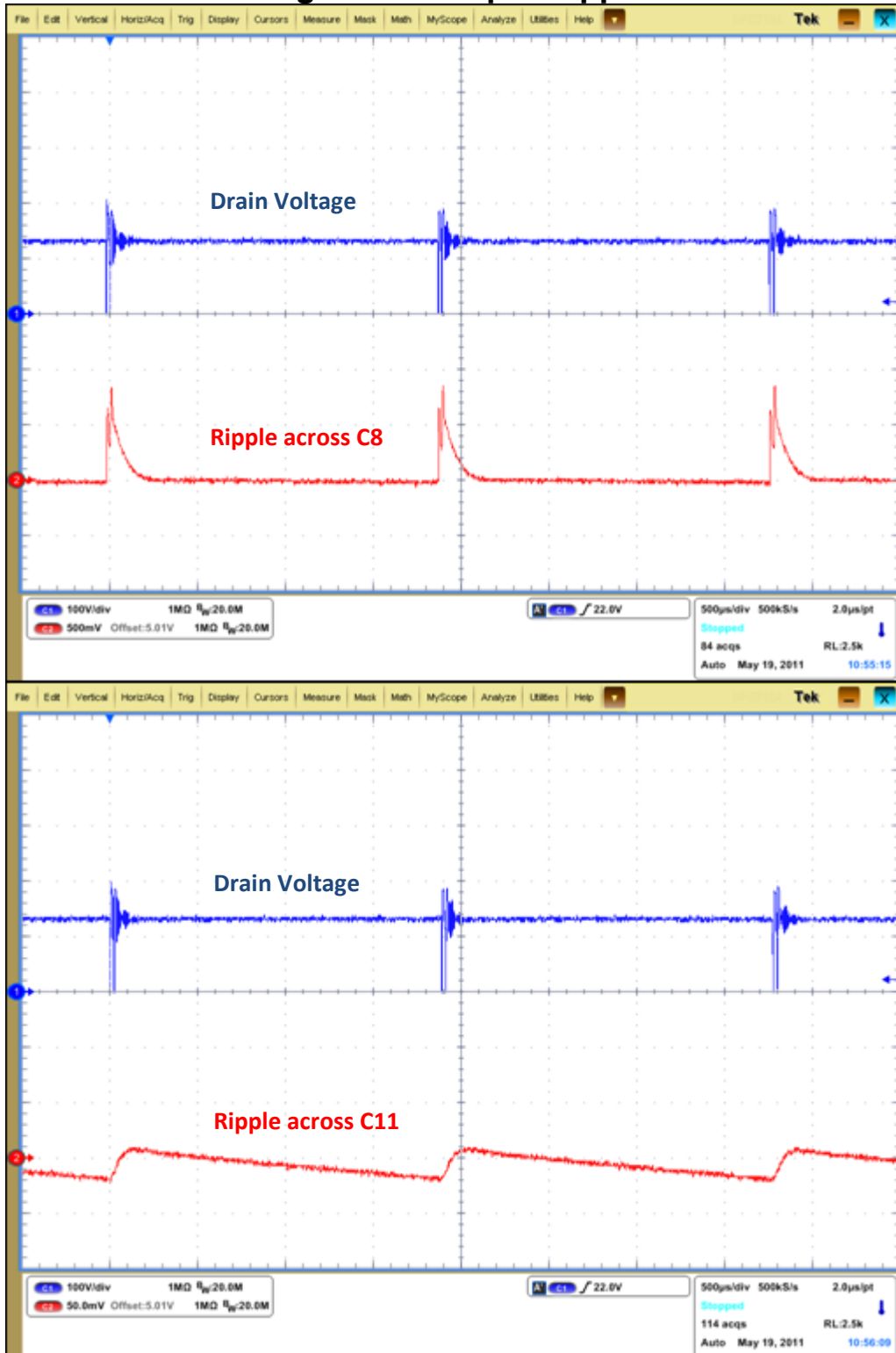
### Figure 1 - Schematic



## DN05037/D

Due to the fact that power is delivered in bursts, the output ripple is significant. Figure 2 (top) shows almost 0.8 V peak voltage ripple across capacitor C8. Beefing up C8 is not a viable option because, in this case, the input current limiter (Q1 – Q2) would prevent it from being charged and the converter will enter a hiccup mode, and will never be able to fully start. Therefore a series transistor (Q3) is added after C8 to act like a soft start and slowly charge a larger capacitor C11. This way, voltage ripple across C11 is reduced below 50 mV peak-to-peak - figure 2 (bottom)

### Figure 2 – Output Ripple



# DN05037/D

Resistors R1 – R2, in front of the bridge, also help reduce current spikes and, in conjunction with capacitor C1, act like an input EMI filter. The EMI scans in figure 3 show the circuit passes Class B requirements.

### Figure 3 – EMI Scans

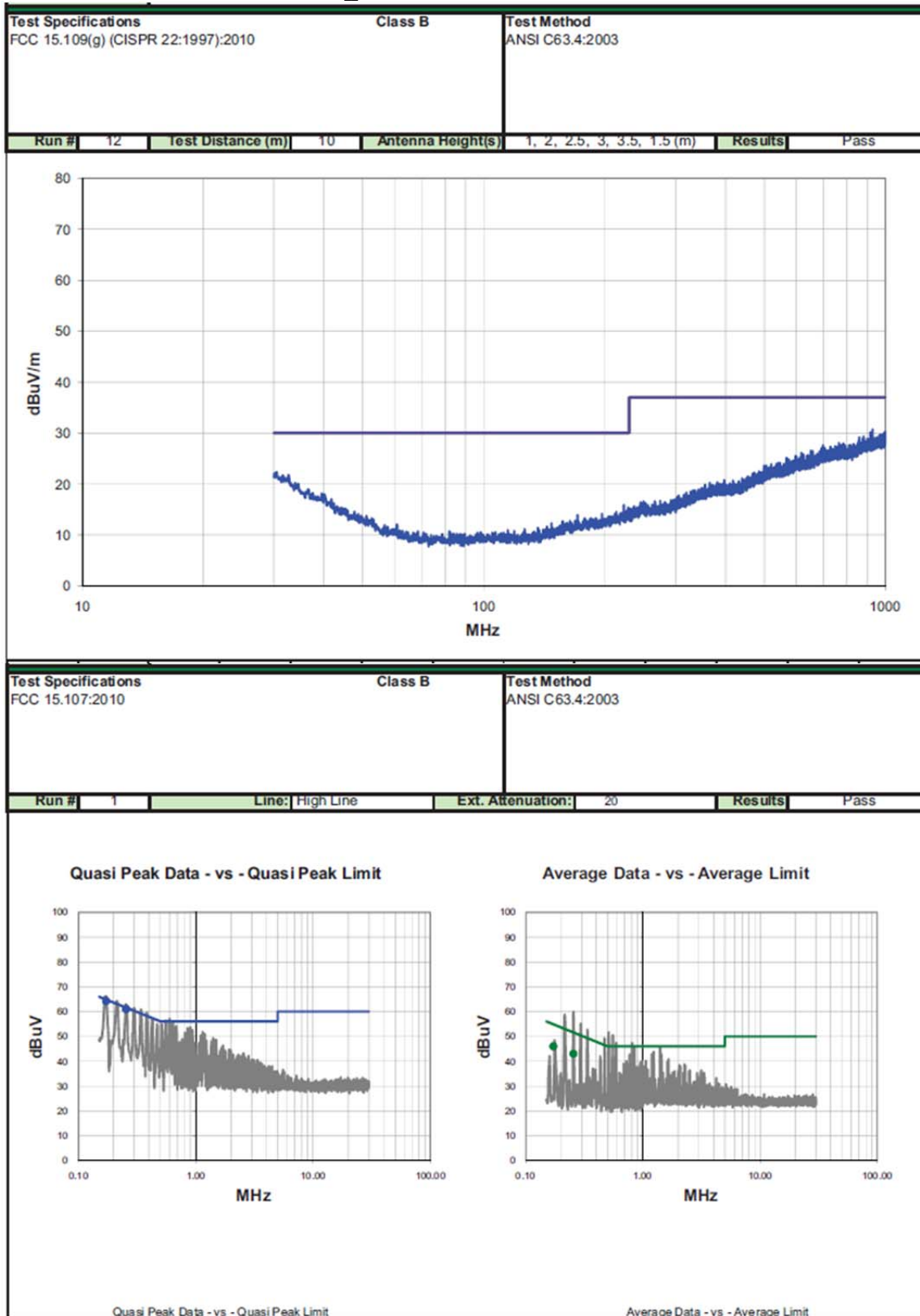


Figure 4 – Input current at 110 Vac input

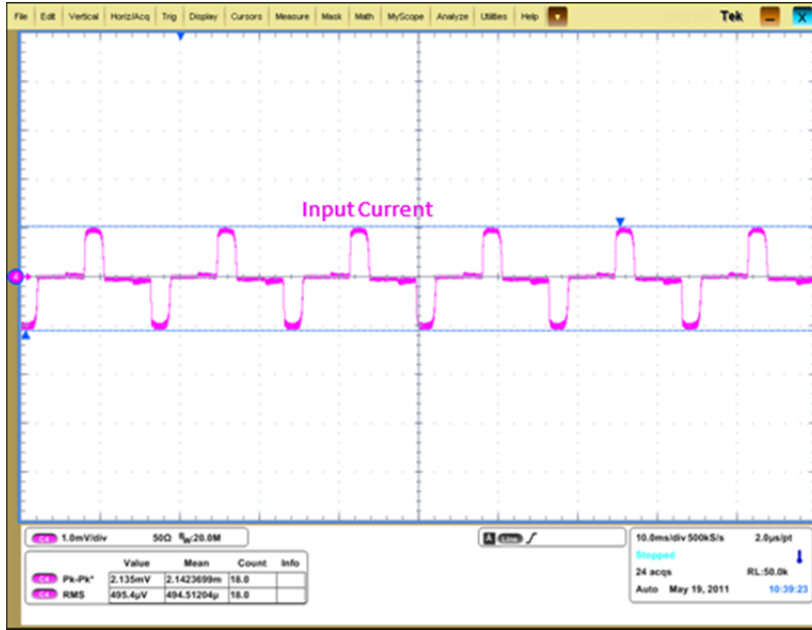
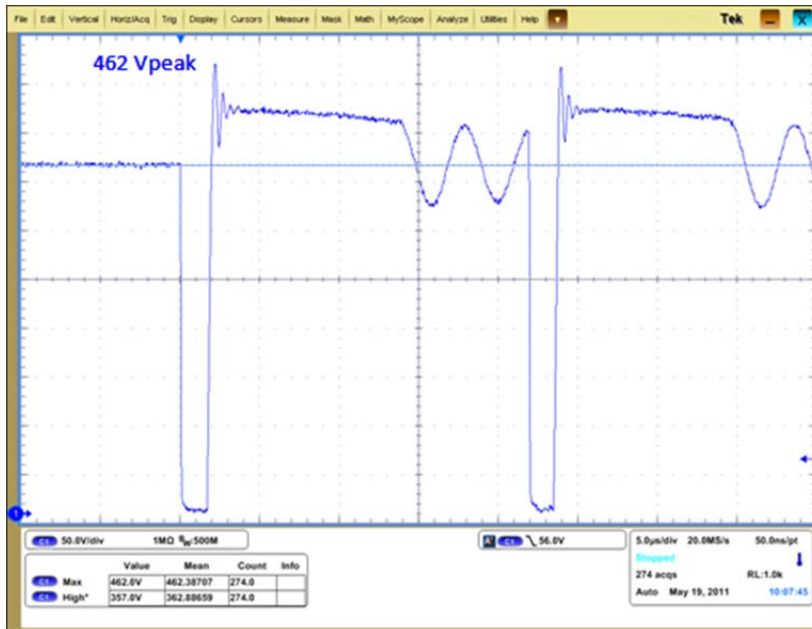
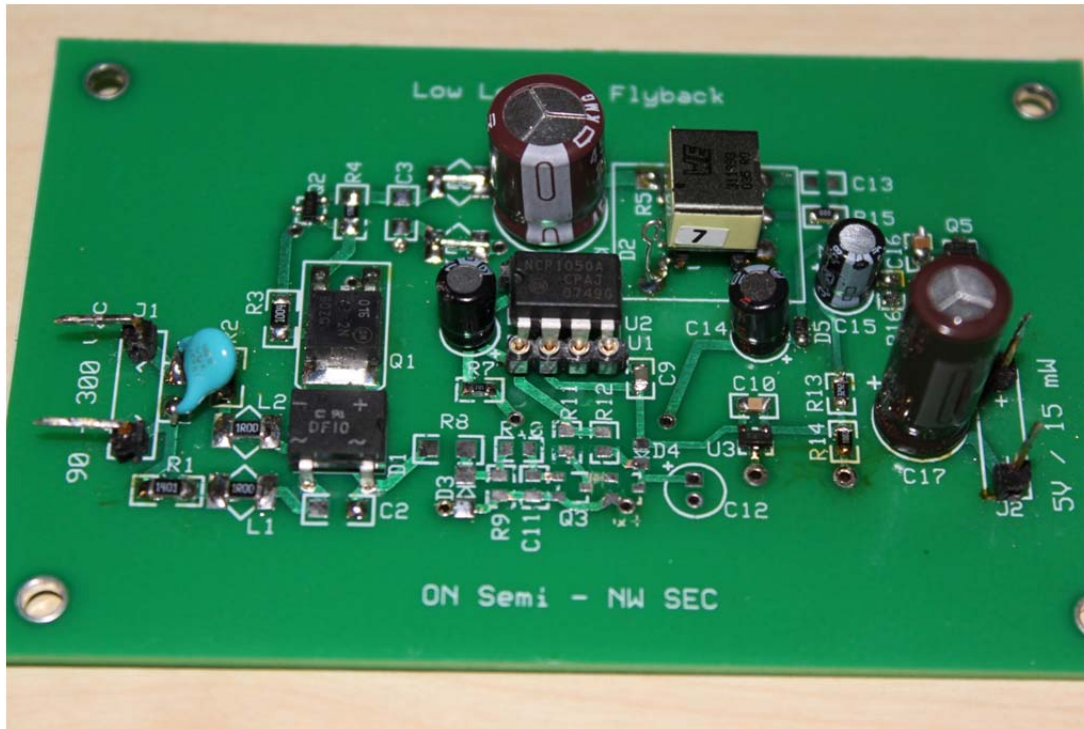


Figure 5 - Maximum drain voltage at 300 Vac input



## Board



## Key Features

- Simple topology
- Low part count
- Extremely low consumption
- Wide input range

## References

Data sheet [NCP1050](#): Monolithic High Voltage Gated Oscillator Power Switching Regulator

© 2012 ON Semiconductor.

**Disclaimer:** ON Semiconductor is providing this design note "AS IS" and does not assume any liability arising from its use; nor does ON Semiconductor convey any license to its or any third party's intellectual property rights. This document is provided only to assist customers in evaluation of the referenced circuit implementation and the recipient assumes all liability and risk associated with its use, including, but not limited to, compliance with all regulatory standards. ON Semiconductor may change any of its products at any time, without notice.

*Design note created by Michael Borza, e-mail: mborza@onsemi.com*