

# ON Semiconductor

## Is Now

The logo for onsemi, featuring the word "onsemi" in a dark teal, lowercase, sans-serif font. The letter "i" is stylized with a white dot and a teal vertical bar. A small orange triangle is positioned above the top right of the "i". A trademark symbol (TM) is located to the right of the logo.

To learn more about onsemi™, please visit our website at  
[www.onsemi.com](http://www.onsemi.com)

---

**onsemi** and **onsemi** and other names, marks, and brands are registered and/or common law trademarks of Semiconductor Components Industries, LLC dba "**onsemi**" or its affiliates and/or subsidiaries in the United States and/or other countries. **onsemi** owns the rights to a number of patents, trademarks, copyrights, trade secrets, and other intellectual property. A listing of **onsemi** product/patent coverage may be accessed at [www.onsemi.com/site/pdf/Patent-Marking.pdf](http://www.onsemi.com/site/pdf/Patent-Marking.pdf). **onsemi** reserves the right to make changes at any time to any products or information herein, without notice. The information herein is provided "as-is" and **onsemi** makes no warranty, representation or guarantee regarding the accuracy of the information, product features, availability, functionality, or suitability of its products for any particular purpose, nor does **onsemi** assume any liability arising out of the application or use of any product or circuit, and specifically disclaims any and all liability, including without limitation special, consequential or incidental damages. Buyer is responsible for its products and applications using **onsemi** products, including compliance with all laws, regulations and safety requirements or standards, regardless of any support or applications information provided by **onsemi**. "Typical" parameters which may be provided in **onsemi** data sheets and/or specifications can and do vary in different applications and actual performance may vary over time. All operating parameters, including "Typicals" must be validated for each customer application by customer's technical experts. **onsemi** does not convey any license under any of its intellectual property rights nor the rights of others. **onsemi** products are not designed, intended, or authorized for use as a critical component in life support systems or any FDA Class 3 medical devices or medical devices with a same or similar classification in a foreign jurisdiction or any devices intended for implantation in the human body. Should Buyer purchase or use **onsemi** products for any such unintended or unauthorized application, Buyer shall indemnify and hold **onsemi** and its officers, employees, subsidiaries, affiliates, and distributors harmless against all claims, costs, damages, and expenses, and reasonable attorney fees arising out of, directly or indirectly, any claim of personal injury or death associated with such unintended or unauthorized use, even if such claim alleges that **onsemi** was negligent regarding the design or manufacture of the part. **onsemi** is an Equal Opportunity/Affirmative Action Employer. This literature is subject to all applicable copyright laws and is not for resale in any manner. Other names and brands may be claimed as the property of others.



ON Semiconductor

# Simple ENERGY STAR® Compliant LED Driver Retrofit in a T5 Tube using 160mA CCR

Device	Application	Input Voltage	Power	Topology	I/O Isolation
NSI45090JDT4G	T5 23" Fluorescent Replacement LEDs	110V AC $\pm 10\%$	11.2W	Linear	NONE

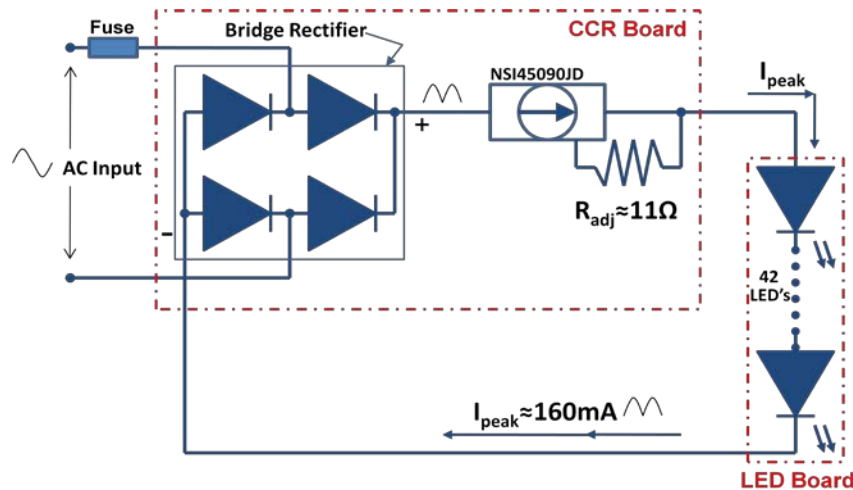


Figure 1 – CCR with 42 LEDs and a Bridge Rectifier Circuit

## Overview

The objective is to build a LED retrofit using a T5 fluorescent tube fixture. A constant current regulator, NSI45090JDT4G, is incorporated, and the whole circuit exceeds ENERGY STAR® power factor rating greater than 0.7. The circuit (Figure 1) consists of a bridge rectifier using MURA160T3-D, a constant current regulator (CCR), an adjusting resistor, LEDs (Xlamp ML-E®), and GE® T5 23" fixture (Figure 2). At the input, an overload fuse can be added to protect the circuit from current spikes.

The design consists of two circuit boards, one for the CCR (90mmX18mm) as in Figure 3, and one for the LED's (516mmX18mm) as in Figure 4. The CCR board has 6 parts on it, 4 bridge diodes MURA160T3-D, 1 CCR NSI45090JDT4G, and 1 resistor of 2.5Ω. The LED board has 42 LEDs, 4 resistors of 1Ω, 4 Tyco pins, and a (250mA/125V) fuse.

## Key Features

- Simple design
- AC application of LEDs
- No leakage or drive current
- 6 parts on small driver board
- Higher Efficiency than fluorescent
- Current regulation to protect LEDs
- Better lumen output than fluorescent
- Pf exceeds Energy Star Requirements

## Circuit Operation

The circuit operates as follows; the bridge rectifier consists of 4 diodes that rectify the input voltage to peak positive voltage at 155.56V @ 120Hz. Following in the circuit is the CCR that uses a 2.5Ω resistor to achieve 160mA of peak current regulation. Now the current flows through the two 1Ω resistors and through the LEDs. The resistors were designed in the LED board in case a voltage reduction is needed to compensate for lower Vf LEDs. They have no purpose in the circuit as is.

**Build**

Once the fixture was purchased, the bottom side was cut open, and the internal ballast for the fluorescent tube was removed. The CCR board was installed to internally replace the existing board. The LED board was fitted to replace the fluorescent tube, 21" long and 18mm wide, and was designed to be covered by the reflector plastic cover.

**Data Analysis**

Figure 5 shows data captures from the oscilloscope, and demonstrates the input voltage and current relative to the rectified current through the CCR, and the CCR voltage drop. The LED voltage is simply the result of

subtracting the CCR voltage and the 2 diode forward voltages from the total rectified input voltage. The efficiency is determined using the following equation;

$$\eta = \frac{V_{LED} \times I_{LED}}{V_{in} \times I_{in}} = \frac{(V_{in} - V_{CCR}) \times I_{LED}}{V_{in} \times I_{in}}$$

**Conclusions**

The design features better luminosity than the fluorescent, i.e. better power per light output, high power factor and low THD. The average LED light output is twice as much as that of the fluorescent while consuming about the same energy.

**Images**



Figure 2 – T5 21" Fluorescent Tube and LED Tube

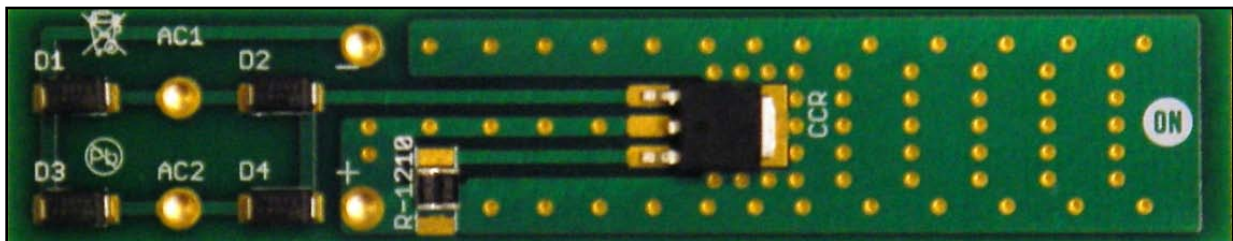


Figure 3 – CCR Board Used in Fixture



Figure 4 – LED Board Replaces Fluorescent Tube

## Capture

## T5 LED Tube Data Capture

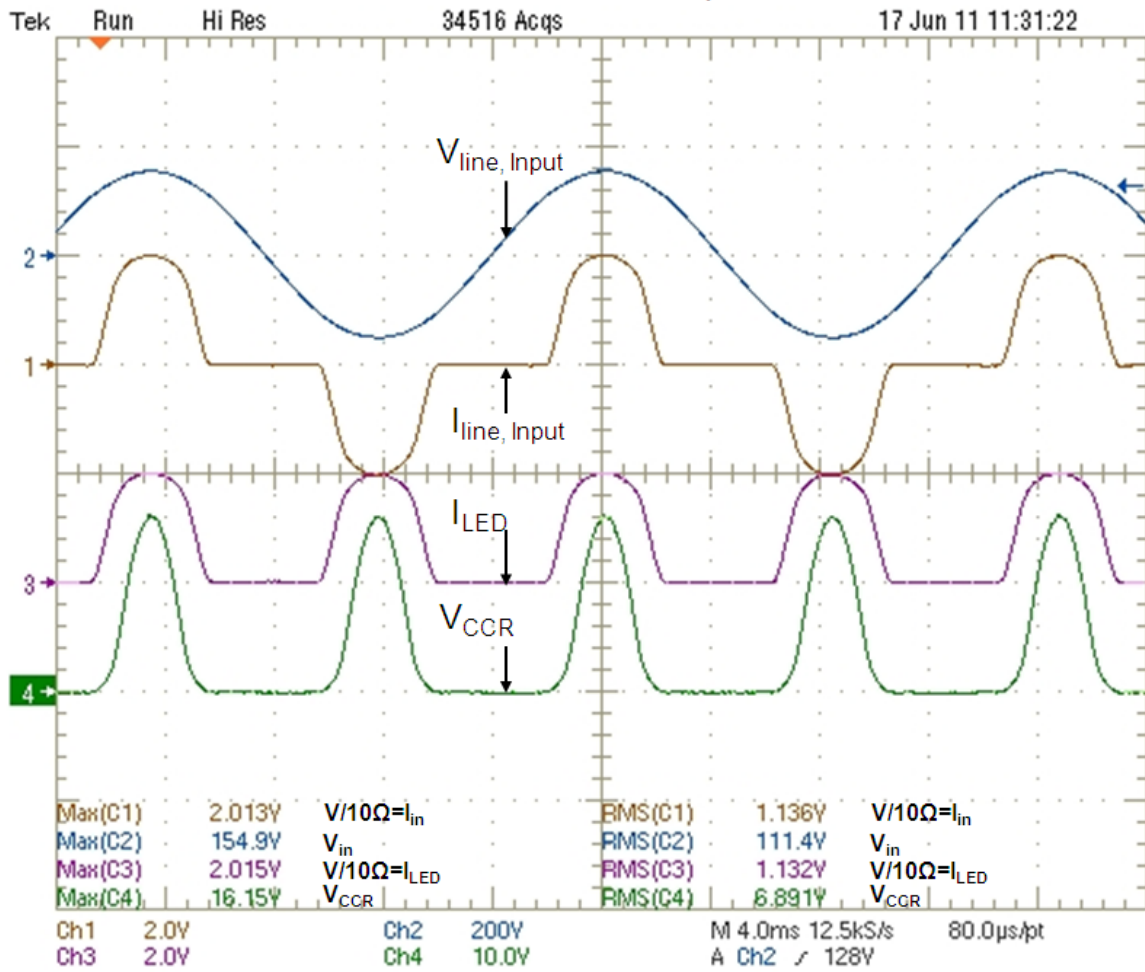


Figure 5 – Oscilloscope Voltages and Currents

## Data Summary Table

Fixture Type	V <sub>in</sub> rms (V) <sup>1</sup>	I <sub>in</sub> rms (mA) <sup>1</sup>	P (W) <sup>1</sup>	Pf <sup>1</sup>	THD (% <sub>A</sub> ) <sup>1</sup>	Klux <sup>2</sup> Average	CCR Temp (°C) <sup>3</sup>	LED Temp (°C) <sup>3</sup>
Cree LED Xlamp ML-E	100.1	78.5	6.3	0.79	76	3.4	50	50
	<b>110.2</b>	<b>115.6</b>	<b>11.1</b>	<b>0.87</b>	<b>55</b>	<b>5.2</b>	<b>60</b>	<b>60</b>
	120.1	132.3	14.3	0.90	47	5.9	80	65
Slim Line Fluorescent Tube GE	100.1	182.2	9.7	0.54	111	2.2	N/A	N/A
	<b>110.1</b>	<b>189.8</b>	<b>11.5</b>	<b>0.55</b>	<b>111</b>	<b>2.7</b>	<b>N/A</b>	<b>N/A</b>
	120.2	200.3	13.2	0.55	113	2.9	N/A	N/A

1. Yokogawa WT210 Digital Power Meter was used under equivalent conditions for test acquisition.
2. Extech HD450 was used under equivalent conditions as reference between light sources.
3. Flir InfraCAM was used under equivalent conditions as reference between heat sources.
4. Data may vary depending on NSI45090JDT4G ±10% and Xlamp ML-E.

DN05013/D

Additional Data

<b>PF ENERGY STAR® (Yes/No)</b>	Yes > 0.7
<b>Efficiency</b>	89.66% @ 110V RMS AC
<b>Inrush Limiting / Fuse</b>	Yes
<b>Operating Temperature</b>	-20°C to +45°C
<b>NSI45090JDT4G Ireg SS</b>	153mA @7.5V

Bill of Materials

06/20/2011

Quantity	Description	Value	Tolerance	Footprint	Manufacturer	Manufacturer Part Number
1	Fuse	250mA/125V	N/A	SMD	N/A	N/A
1	CCR	45V, 90mA	±15%	D-pak	ON Semiconductor	NSI45090JDT4G
4	Diode	600V, 1A	N/A	SMA	ON Semiconductor	MURA160T3-D
1	Resistor	2.5Ω, 1210	1%	1210	N/A	Generic
1	CCR Board	2OZ Cu, 2 layers, FR-4	N/A	PCB	DS Electronics	N/A
42	LED	3.2V, 150mA	N/A	3.50X3.45mm	CREE	Xlamp ML-E
4	Tyco pins	0.062" diam.	N/A	N/A	Tyco Electronics	1-66103-6 type III
4	Resistor	1Ω, 1206	1%	1206	N/A	Generic
1	LED Board	2OZ Cu, 2 layers, FR-4	N/A	PCB	DS Electronics	N/A

© 2011 ON Semiconductor.

**Disclaimer:** ON Semiconductor is providing this design note "AS IS" and does not assume any liability arising from its use; nor does ON Semiconductor convey any license to its or any third party's intellectual property rights. This document is provided only to assist customers in evaluation of the referenced circuit implementation and the recipient assumes all liability and risk associated with its use, including, but not limited to, compliance with all regulatory standards. ON Semiconductor may change any of its products at any time, without notice.

*Design note created by Yohai Kalderon, e-mail: Yohai.Kalderon@onsemi.com*