
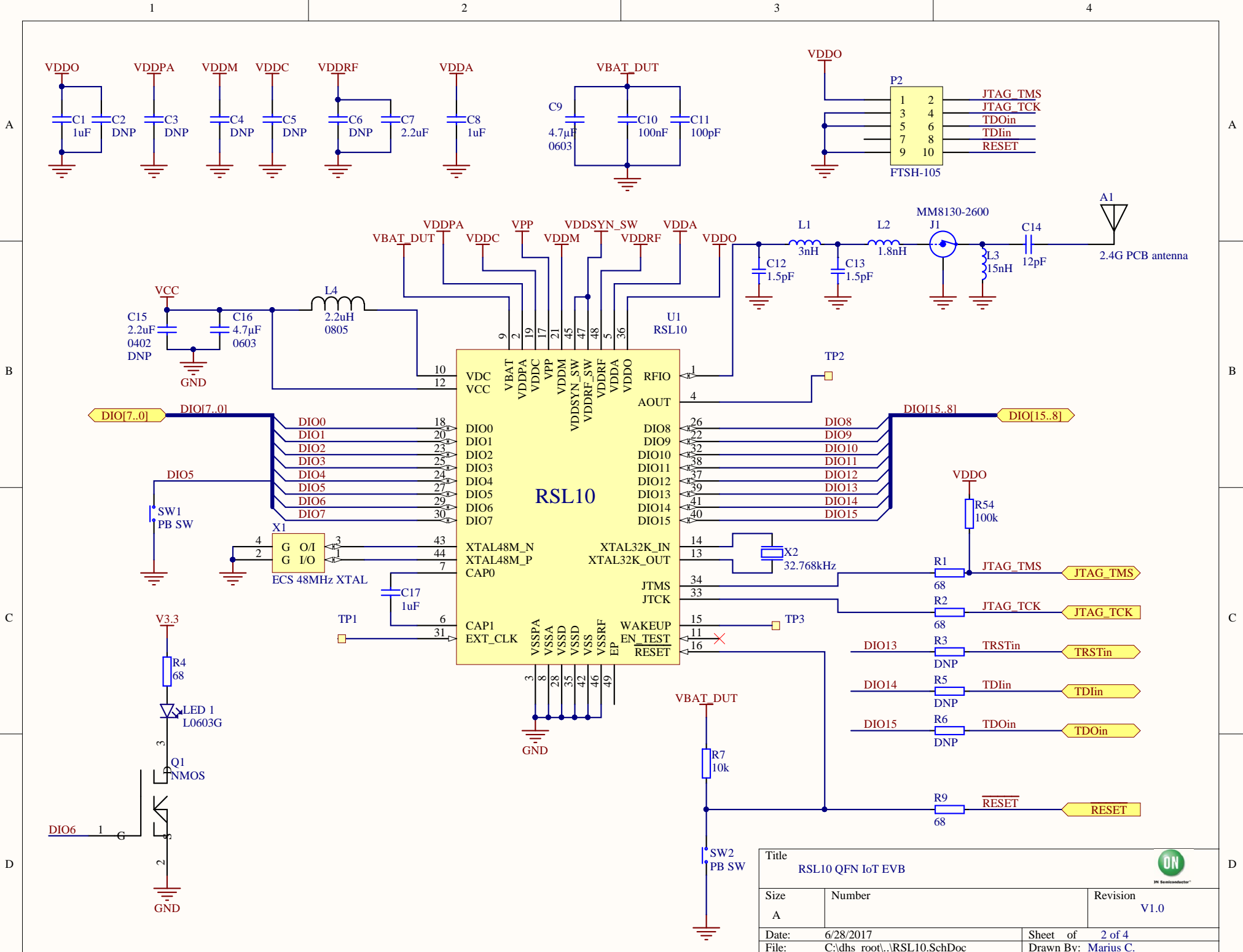

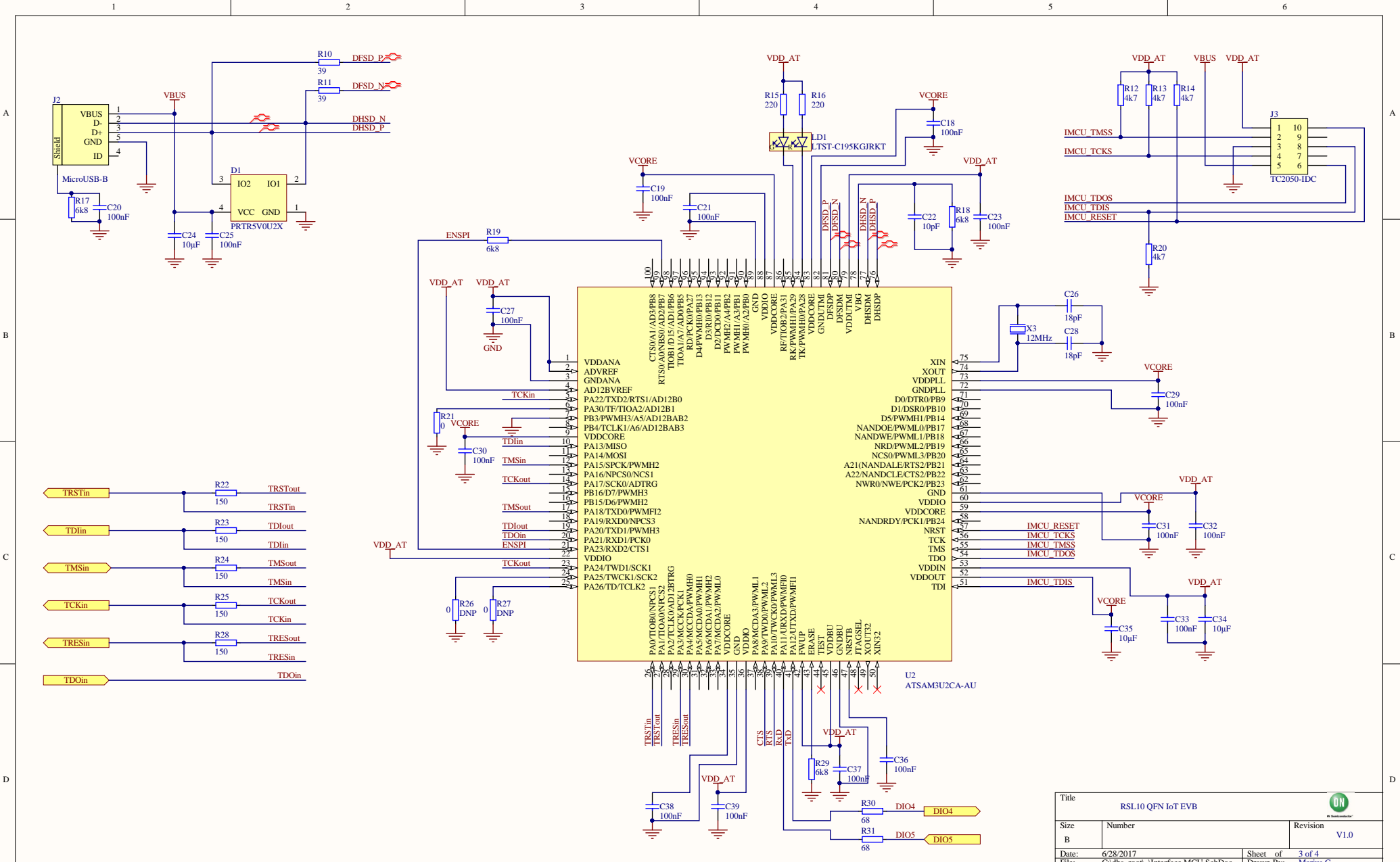



Title		RSL10 QFN IoT EVB		 <small>ON Semiconductor</small>	
Size	A4	Number		Revision	V1.0
Date:	6/28/2017	Sheet of	1 of 4		
File:	C:\dhs_root\ArduinoUnoShield.SchDoc	Drawn By:	Marius C.		



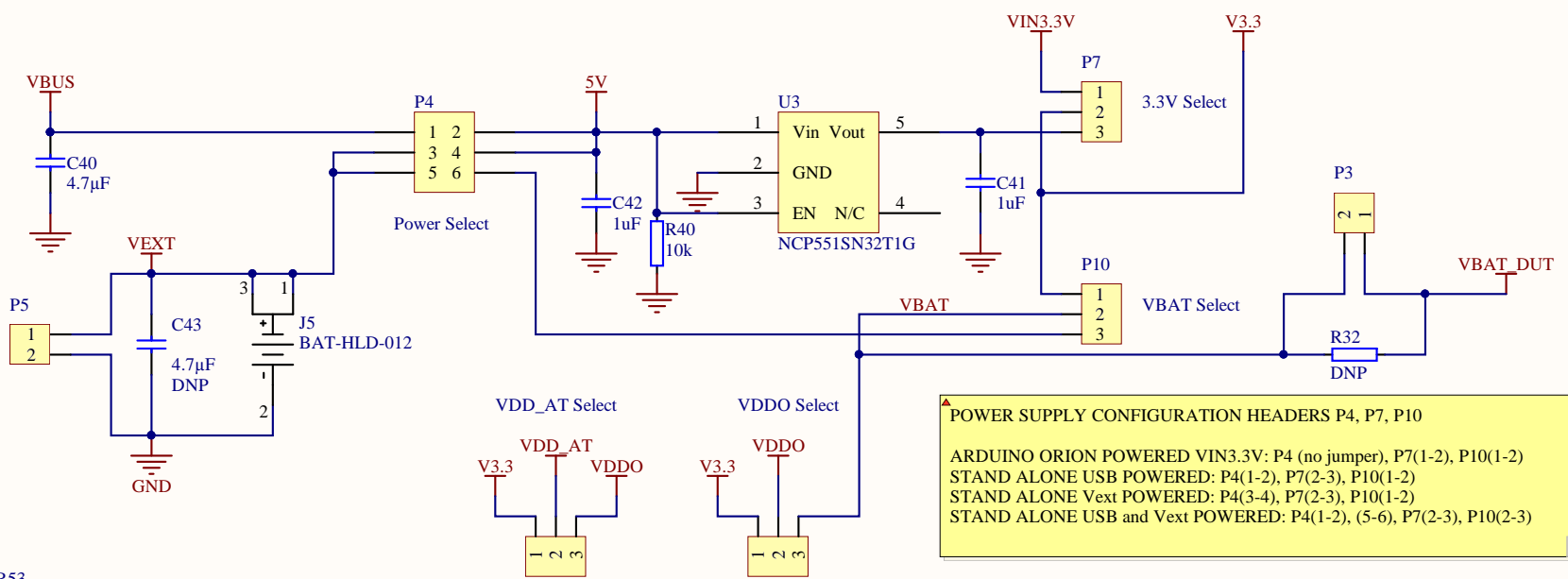
Title			
RSL10 QFN IoT EVB			
Size	Number	Revision	
A		V1.0	
Date:	6/28/2017	Sheet of	2 of 4
File:	C:\dhs_root\...\RSL10.SchDoc	Drawn By:	Marius C.



Title			RSL10 QFN IoT EVB			
Size	B	Number			Revision	
				V1.0		
Date:	6/28/2017		Sheet of	3 of 4		
File:	C:\dhs_root_\Interface MCU.SchDoc		Drawn By:	Marius C.		

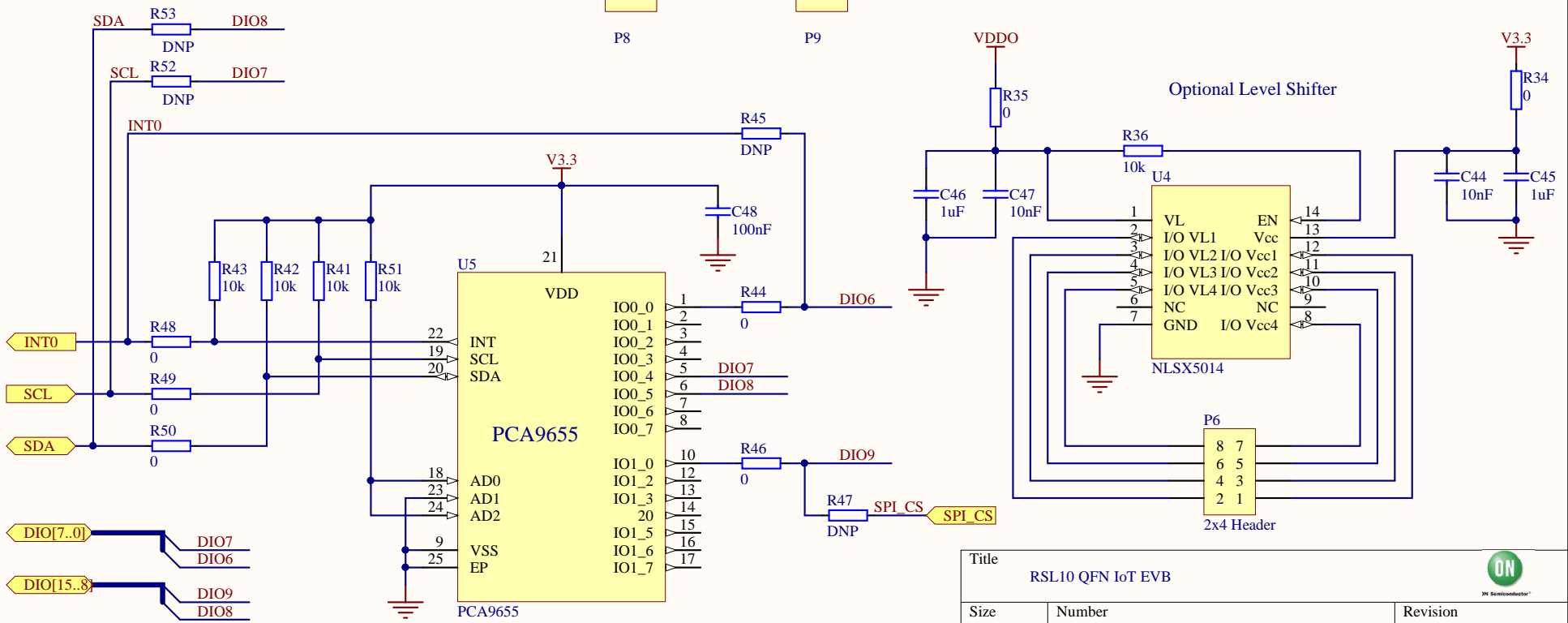
A

A



B

B



C

C

D

D

Title		RSL10 QFN IoT EVB			
Size	Number	Revision			
A		V1.0			
Date:	6/28/2017	Sheet of	4 of 4		
File:	C:\dhs_root\...\Power.SchDoc	Drawn By:	Marius C.		