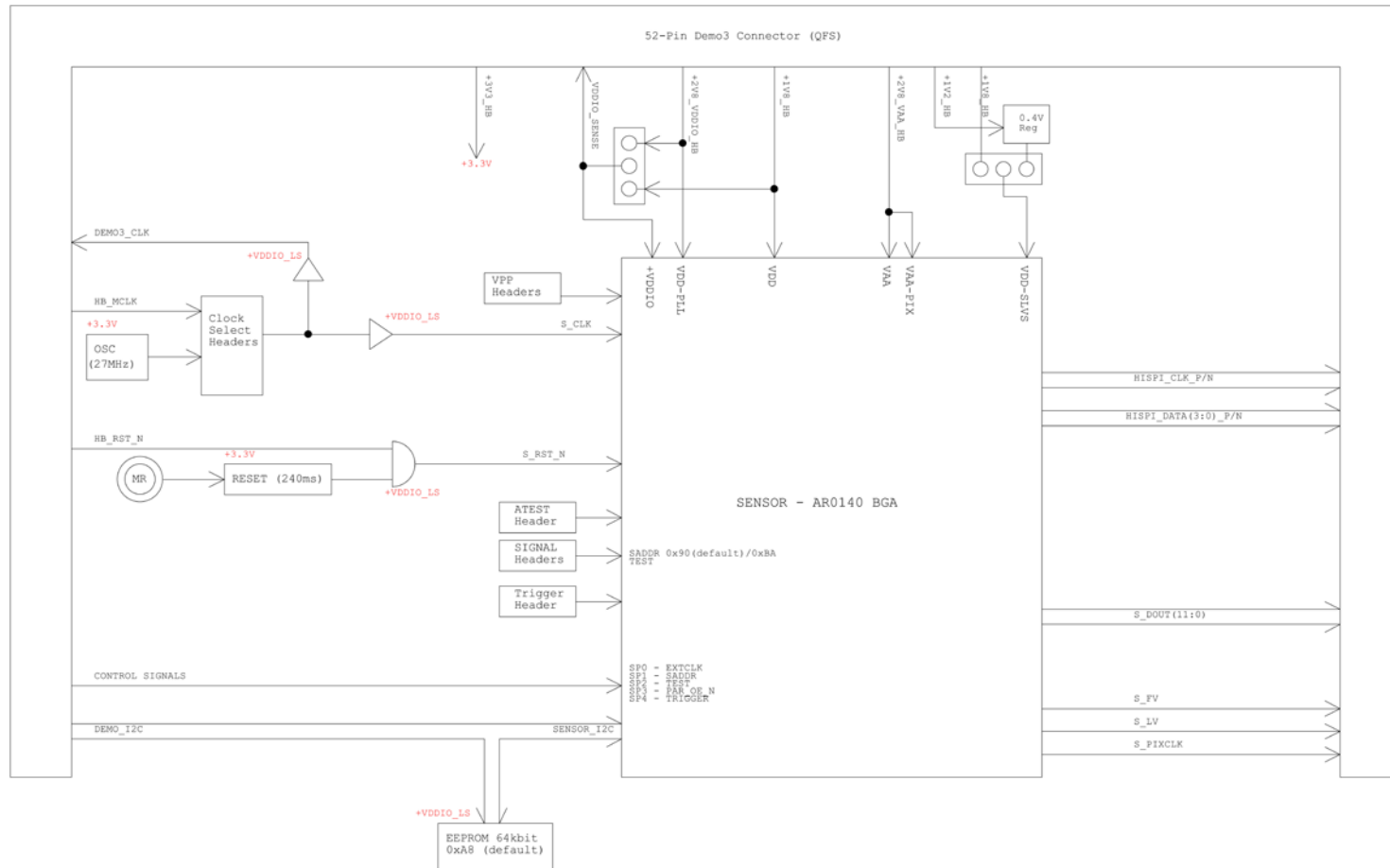


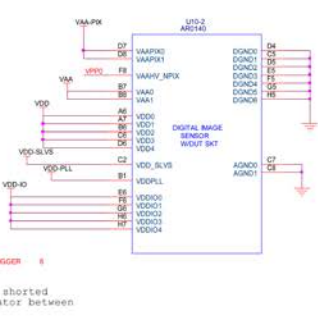
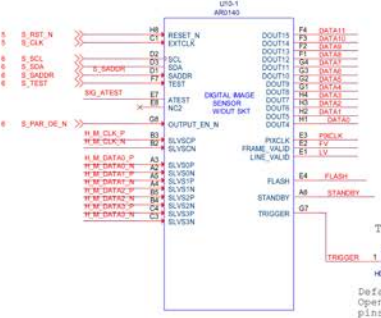
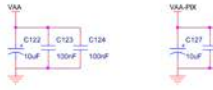
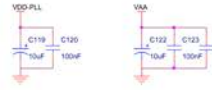
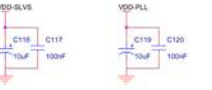
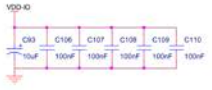
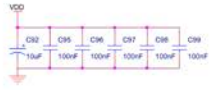
## Schematic for the AR0140CS2M00AUEAH3-GEVB Evaluation Board

### Block Diagram

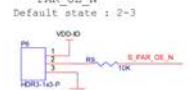
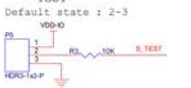
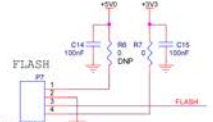
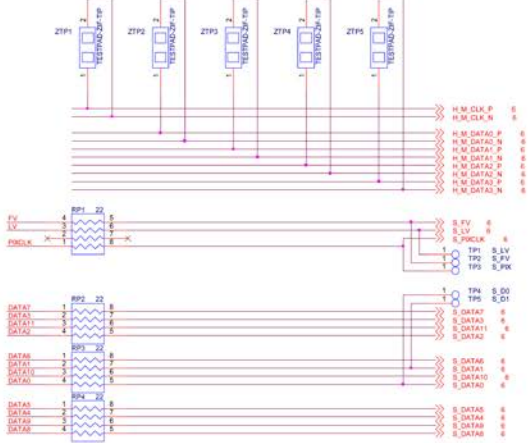




# Sensor



(Note for layout: - Place these testpads near the Demo3 I/F connector at the top side of PCB)



Debug Headers: Cut away the shorted trace and mount header for power debugging

# Power

## VDD 1.8V SUPPLY



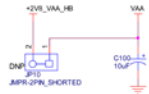
## VDD-SLVS 1.8V SUPPLY



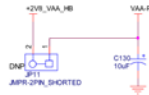
## VDD-PLL 2.8V SUPPLY



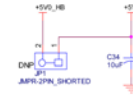
## VAA 2.8V SUPPLY



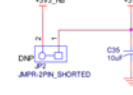
## VAA-PIX 2.8V SUPPLY



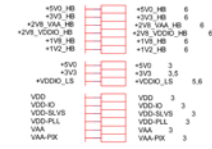
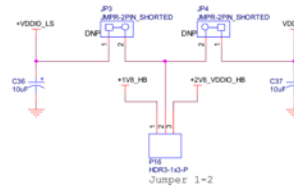
## PERIPHERAL 5V SUPPLY



## PERIPHERAL 3.3V SUPPLY



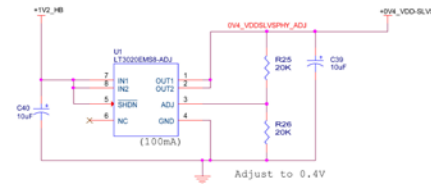
## VDDIO & VDDIO LS 1.8V/2.8V SUPPLY



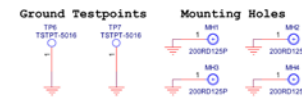
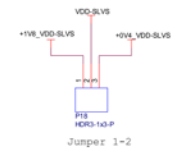
## 5V LED



## VDDSLVSPHY 0.4V SUPPLY



Selection of 0.4V or 1.2V/1V8 for VDDSLVSPHY supply

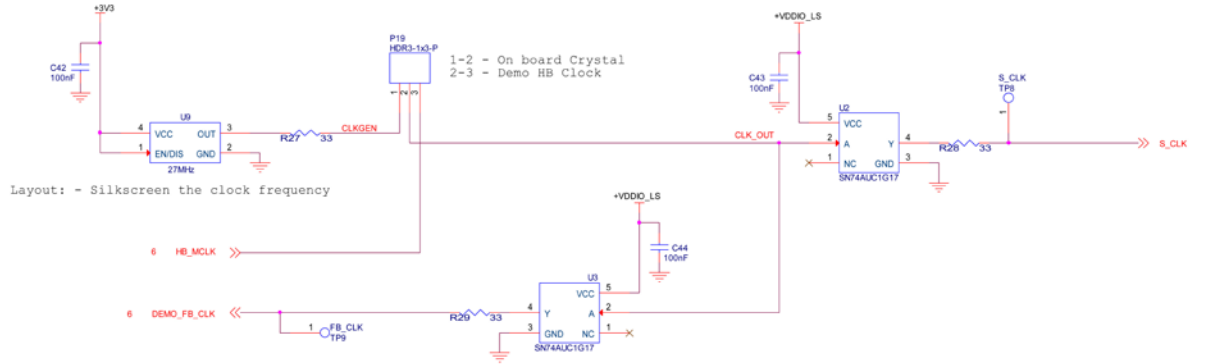


RECORDED

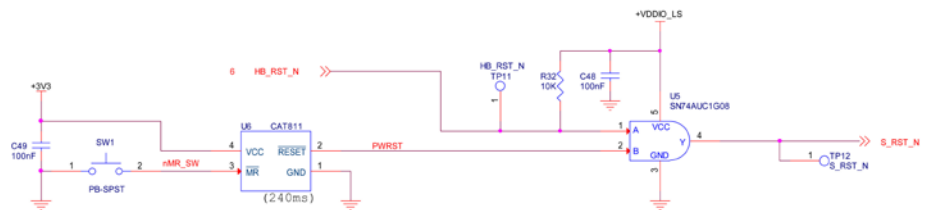
# Clock and Reset

+5V0 3.4  
 +3V3 3.4  
 +VDDIO\_LS 4.6

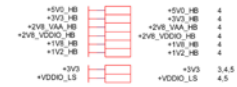
## CLOCK CIRCUIT



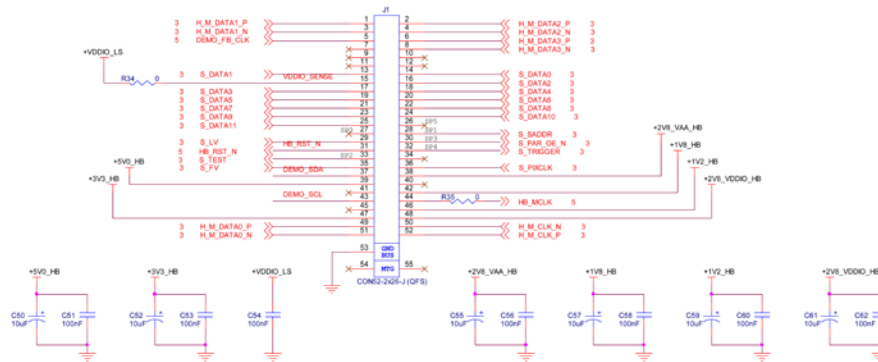
## RESET CIRCUIT



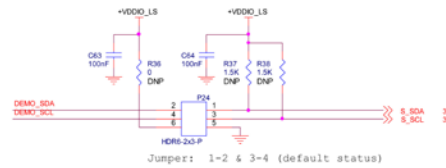
# External Interface



DEMO3 BASEBOARD I/F



I2C DEBUG



LENS CORRECTION EEPROM

