

ON Semiconductor

Is Now

onsemi™

To learn more about onsemi™, please visit our website at
www.onsemi.com

onsemi and **onsemi** and other names, marks, and brands are registered and/or common law trademarks of Semiconductor Components Industries, LLC dba "**onsemi**" or its affiliates and/or subsidiaries in the United States and/or other countries. **onsemi** owns the rights to a number of patents, trademarks, copyrights, trade secrets, and other intellectual property. A listing of **onsemi** product/patent coverage may be accessed at www.onsemi.com/site/pdf/Patent-Marking.pdf. **onsemi** reserves the right to make changes at any time to any products or information herein, without notice. The information herein is provided "as-is" and **onsemi** makes no warranty, representation or guarantee regarding the accuracy of the information, product features, availability, functionality, or suitability of its products for any particular purpose, nor does **onsemi** assume any liability arising out of the application or use of any product or circuit, and specifically disclaims any and all liability, including without limitation special, consequential or incidental damages. Buyer is responsible for its products and applications using **onsemi** products, including compliance with all laws, regulations and safety requirements or standards, regardless of any support or applications information provided by **onsemi**. "Typical" parameters which may be provided in **onsemi** data sheets and/or specifications can and do vary in different applications and actual performance may vary over time. All operating parameters, including "Typicals" must be validated for each customer application by customer's technical experts. **onsemi** does not convey any license under any of its intellectual property rights nor the rights of others. **onsemi** products are not designed, intended, or authorized for use as a critical component in life support systems or any FDA Class 3 medical devices or medical devices with a same or similar classification in a foreign jurisdiction or any devices intended for implantation in the human body. Should Buyer purchase or use **onsemi** products for any such unintended or unauthorized application, Buyer shall indemnify and hold **onsemi** and its officers, employees, subsidiaries, affiliates, and distributors harmless against all claims, costs, damages, and expenses, and reasonable attorney fees arising out of, directly or indirectly, any claim of personal injury or death associated with such unintended or unauthorized use, even if such claim alleges that **onsemi** was negligent regarding the design or manufacture of the part. **onsemi** is an Equal Opportunity/Affirmative Action Employer. This literature is subject to all applicable copyright laws and is not for resale in any manner. Other names and brands may be claimed as the property of others.

Reference Designs for the TSV (J-Series) SMA and SMTPA SiPM Evaluation Boards



ON Semiconductor®

www.onsemi.com

OVERVIEW

This document gives the electrical schematics for the J-Series (TSV-Packaged) SMA and SMTPA SiPM evaluation boards.

The electrical schematics are accurate representations of the circuitry of the ON Semiconductor products and can be used by the customer for their own readout solutions, at the customer's own risk. Complete Gerber and board specification files for each product are available by request from ON Semiconductor.

SMA Boards

The CAD files for the TSV SMA board products are available to download via the links below:

- [MicroFJ-SMA-60035](#)
- [MicroFJ-SMA-40035](#)
- [MicroFJ-SMA-300XX](#)

APPLICATION NOTE

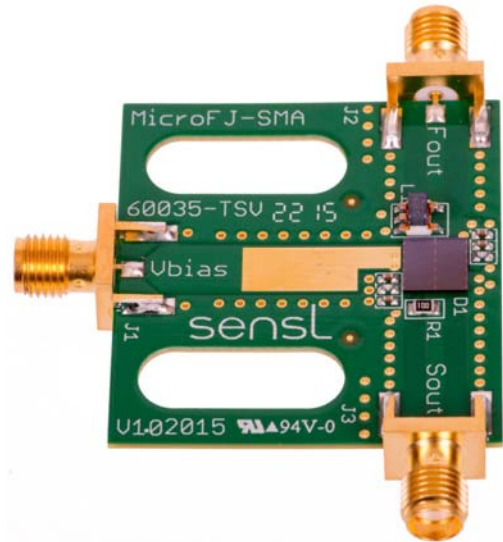


Figure 1. The ON Semiconductor 6mm SMA board (MicroFJ-SMA-60035)

SMA Board Electrical Schematics

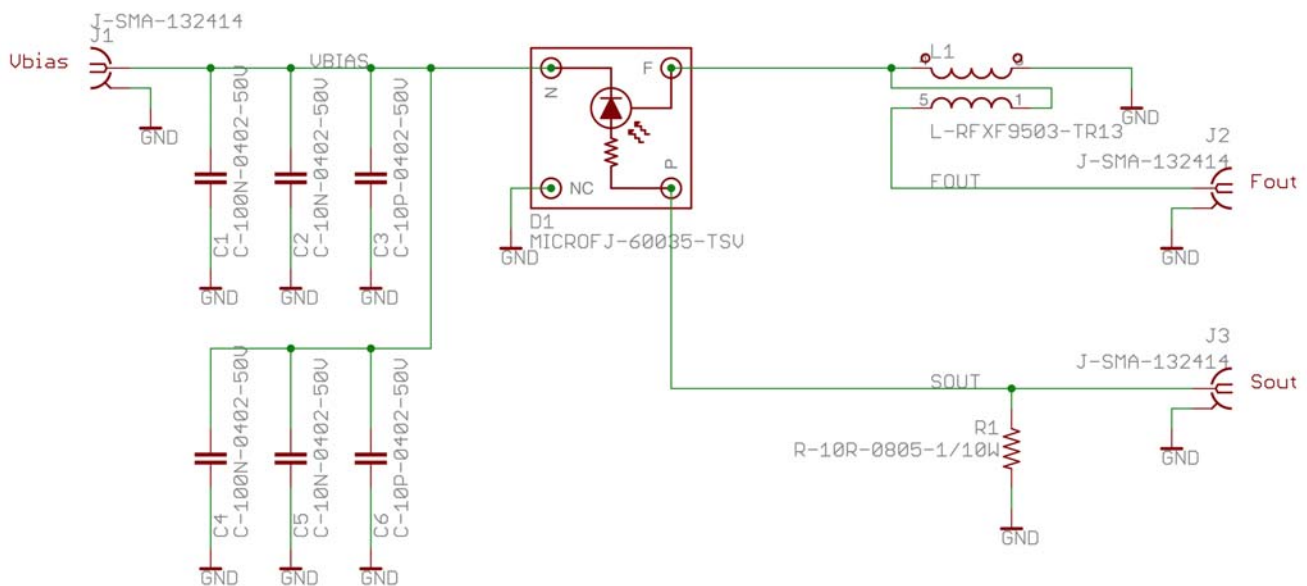


Figure 2. Board schematic for the MicroFJ-SMA-60035

AND9808/D

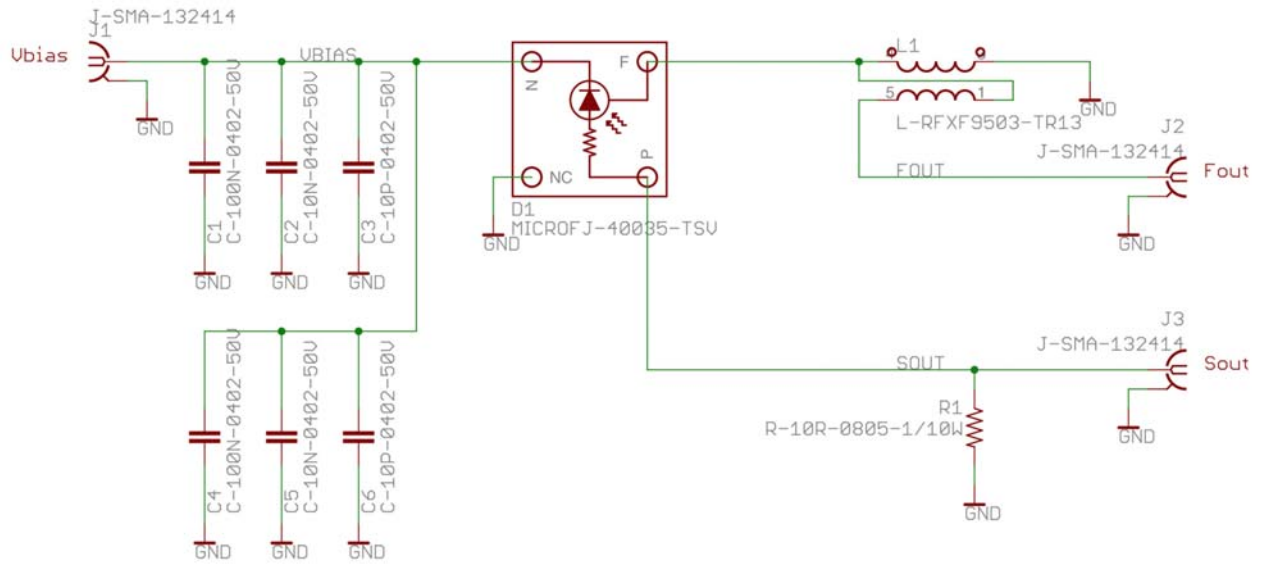


Figure 3. Board schematic for the MicroFJ-SMA-40035

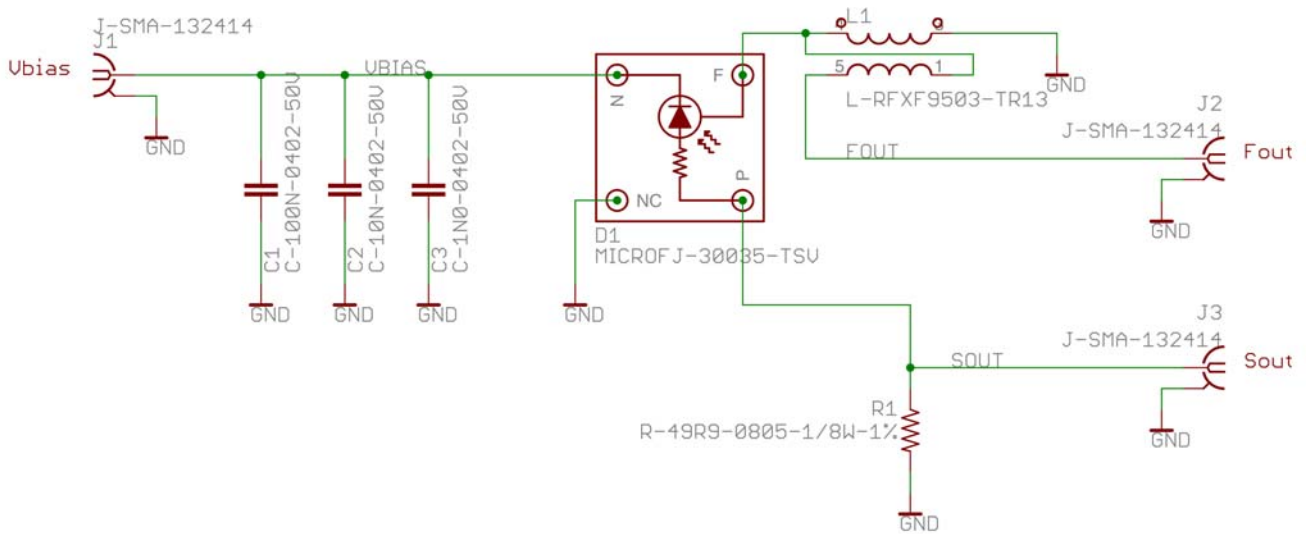


Figure 4. Board schematic for the MicroFJ-SMA-300XX

SMTPA Boards

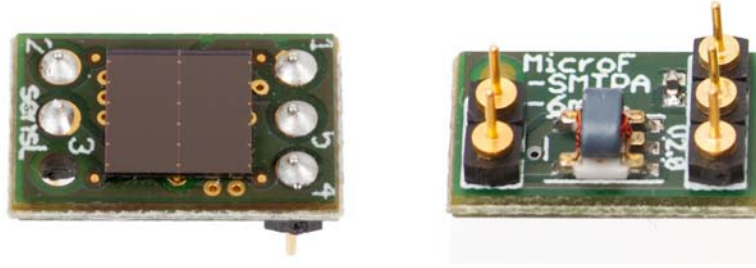


Figure 5. (Left) top view and (right) bottom view of the ON Semiconductor 6mm SMTPA boards (MicroFJ-SMTPA-60035)

SMTPA Board CAD Files

The CAD files for the TSV SMTPA evaluation boards are available to download via the links below:

- [MicroFJ-SMTPA-60035](#)
- [MicroFJ-SMTPA-300XX](#)
- There is no SMTPA board for the MicroFJ-40035-TSV

SMTPA Board Electrical Schematics

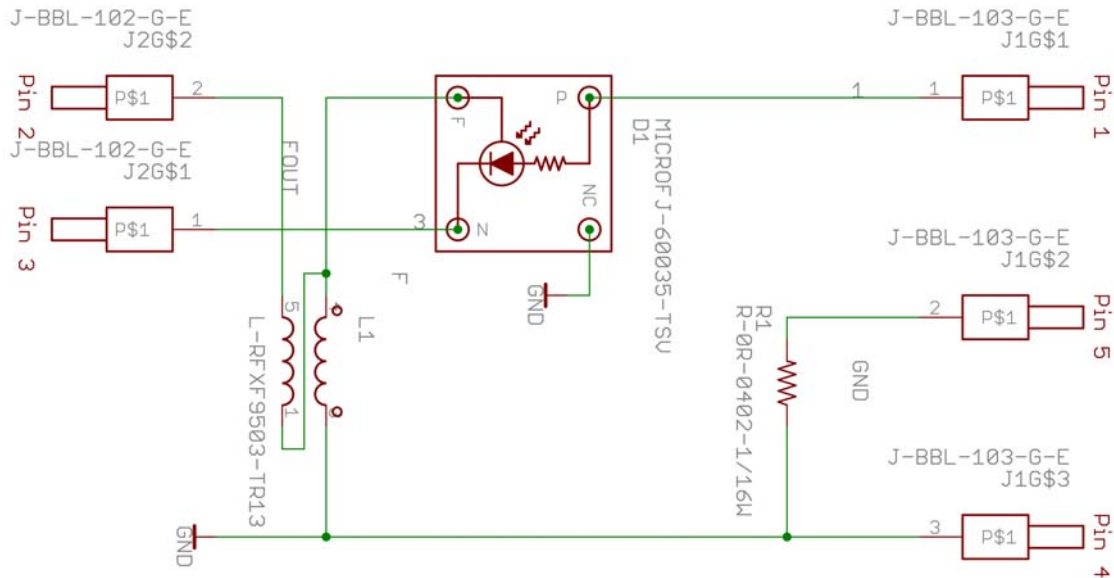


Figure 6. Board schematic for the MicroFJ-SMTPA-60035

AND9808/D

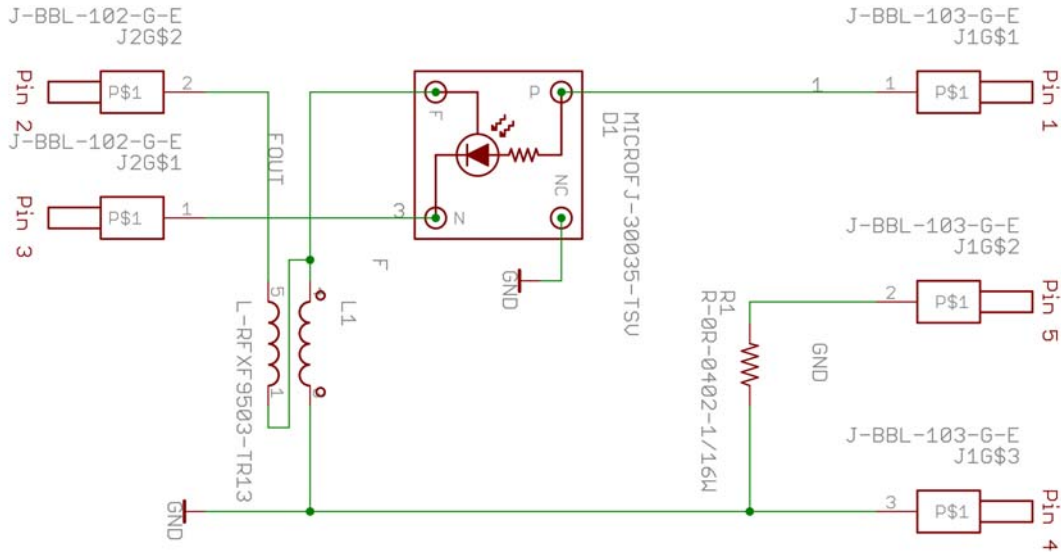



Figure 7. Board schematic for the MicroFJ-SMTPA-300XX

SensL is a registered trademark of of Semiconductor Components Industries, LLC (SCILLC) or its subsidiaries in the United States and/or other countries.

ON Semiconductor and  are trademarks of Semiconductor Components Industries, LLC dba ON Semiconductor or its subsidiaries in the United States and/or other countries. ON Semiconductor owns the rights to a number of patents, trademarks, copyrights, trade secrets, and other intellectual property. A listing of ON Semiconductor's product/patent coverage may be accessed at www.onsemi.com/site/pdf/Patent-Marking.pdf. ON Semiconductor reserves the right to make changes without further notice to any products herein. ON Semiconductor makes no warranty, representation or guarantee regarding the suitability of its products for any particular purpose, nor does ON Semiconductor assume any liability arising out of the application or use of any product or circuit, and specifically disclaims any and all liability, including without limitation special, consequential or incidental damages. Buyer is responsible for its products and applications using ON Semiconductor products, including compliance with all laws, regulations and safety requirements or standards, regardless of any support or applications information provided by ON Semiconductor. "Typical" parameters which may be provided in ON Semiconductor data sheets and/or specifications can and do vary in different applications and actual performance may vary over time. All operating parameters, including "Typicals" must be validated for each customer application by customer's technical experts. ON Semiconductor does not convey any license under its patent rights nor the rights of others. ON Semiconductor products are not designed, intended, or authorized for use as a critical component in life support systems or any FDA Class 3 medical devices or medical devices with a same or similar classification in a foreign jurisdiction or any devices intended for implantation in the human body. Should Buyer purchase or use ON Semiconductor products for any such unintended or unauthorized application, Buyer shall indemnify and hold ON Semiconductor and its officers, employees, subsidiaries, affiliates, and distributors harmless against all claims, costs, damages, and expenses, and reasonable attorney fees arising out of, directly or indirectly, any claim of personal injury or death associated with such unintended or unauthorized use, even if such claim alleges that ON Semiconductor was negligent regarding the design or manufacture of the part. ON Semiconductor is an Equal Opportunity/Affirmative Action Employer. This literature is subject to all applicable copyright laws and is not for resale in any manner.

PUBLICATION ORDERING INFORMATION

LITERATURE FULFILLMENT: Literature Distribution Center for
ON Semiconductor 19521 E. 32nd Pkwy, Aurora, Colorado
80011 USA **Phone:** 303-675-2175 or 800-344-3860 Toll Free
USA/Canada **Fax:** 303-675-2176 or 800-344-3867 Toll Free
USA/Canada **Email:** orderlit@onsemi.com

N. American Technical Support: 800-282-9855 Toll Free
USA/Canada
Europe, Middle East and Africa Technical Support:
Phone: 421 33 790 2910

ON Semiconductor Website: www.onsemi.com
Order Literature: <http://www.onsemi.com/orderlit>

For additional information, please contact your local
Sales Representative