

ON Semiconductor

Is Now

onsemi™

To learn more about onsemi™, please visit our website at
www.onsemi.com

onsemi and **onsemi** and other names, marks, and brands are registered and/or common law trademarks of Semiconductor Components Industries, LLC dba "**onsemi**" or its affiliates and/or subsidiaries in the United States and/or other countries. **onsemi** owns the rights to a number of patents, trademarks, copyrights, trade secrets, and other intellectual property. A listing of **onsemi** product/patent coverage may be accessed at www.onsemi.com/site/pdf/Patent-Marking.pdf. **onsemi** reserves the right to make changes at any time to any products or information herein, without notice. The information herein is provided "as-is" and **onsemi** makes no warranty, representation or guarantee regarding the accuracy of the information, product features, availability, functionality, or suitability of its products for any particular purpose, nor does **onsemi** assume any liability arising out of the application or use of any product or circuit, and specifically disclaims any and all liability, including without limitation special, consequential or incidental damages. Buyer is responsible for its products and applications using **onsemi** products, including compliance with all laws, regulations and safety requirements or standards, regardless of any support or applications information provided by **onsemi**. "Typical" parameters which may be provided in **onsemi** data sheets and/or specifications can and do vary in different applications and actual performance may vary over time. All operating parameters, including "Typicals" must be validated for each customer application by customer's technical experts. **onsemi** does not convey any license under any of its intellectual property rights nor the rights of others. **onsemi** products are not designed, intended, or authorized for use as a critical component in life support systems or any FDA Class 3 medical devices or medical devices with a same or similar classification in a foreign jurisdiction or any devices intended for implantation in the human body. Should Buyer purchase or use **onsemi** products for any such unintended or unauthorized application, Buyer shall indemnify and hold **onsemi** and its officers, employees, subsidiaries, affiliates, and distributors harmless against all claims, costs, damages, and expenses, and reasonable attorney fees arising out of, directly or indirectly, any claim of personal injury or death associated with such unintended or unauthorized use, even if such claim alleges that **onsemi** was negligent regarding the design or manufacture of the part. **onsemi** is an Equal Opportunity/Affirmative Action Employer. This literature is subject to all applicable copyright laws and is not for resale in any manner. Other names and brands may be claimed as the property of others.

AND9312/D

AX5043 0 dBm / 8 mA TX and 9.5 mA RX Configuration for the 868 MHz Band



ON Semiconductor®

www.onsemi.com

APPLICATION NOTE

Introduction

This application note describes how to use AX5043 to design a 0 dBm / 8 mA transmit and 9.5 mA receive configuration for the 868 MHz band. Both hardware and software configurations are discussed.

The configuration targets wide band and category 2 or 3 receiver usage as regulated by ETSI EN 300 220-1 V2.4.1 (2012-05). Performance is given for 50 kbps FSK operation in the 868.0 – 868.6 MHz band.

AX5043 has a differential and a single ended power amplifier (PA). To get the highest possible output power the differential PA must be used. 0 dBm output power which is far below the maximum possible output power can be achieved with both PAs. However, using the single ended power amplifier allows 0 dBm output power to be achieved with less power consumption.

The differential PA is internally multiplexed with the receive path. The single ended PA is output on a dedicated pin and must be externally connected to the receiver if a single antenna configuration is to be used. A low component count, purely passive configuration to achieve this goal is presented in this application note.

Hardware Configuration

Summary of Changes vs. Standard DVK-2 Add-on Modules

Table 1. MODULE CHANGES

Module	AX5043 DVK-2b V1.4
Antenna Interface	Use configuration shown in Figure 2
RF Reference Clock	16 MHz XTAL instead of 48 MHz TCXO Direct connection of the XTAL to the device pins CLK16P and CLK16N without TCXO network as shown in Figure 1 Disconnect VAUX (TCXO supply) from J2 to avoid shorting it to GND across the XTAL

RF Reference Clock

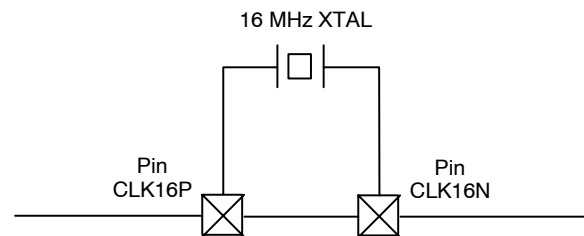


Figure 1. 1 XTAL Configuration

AND9312/D

Antenna Interface

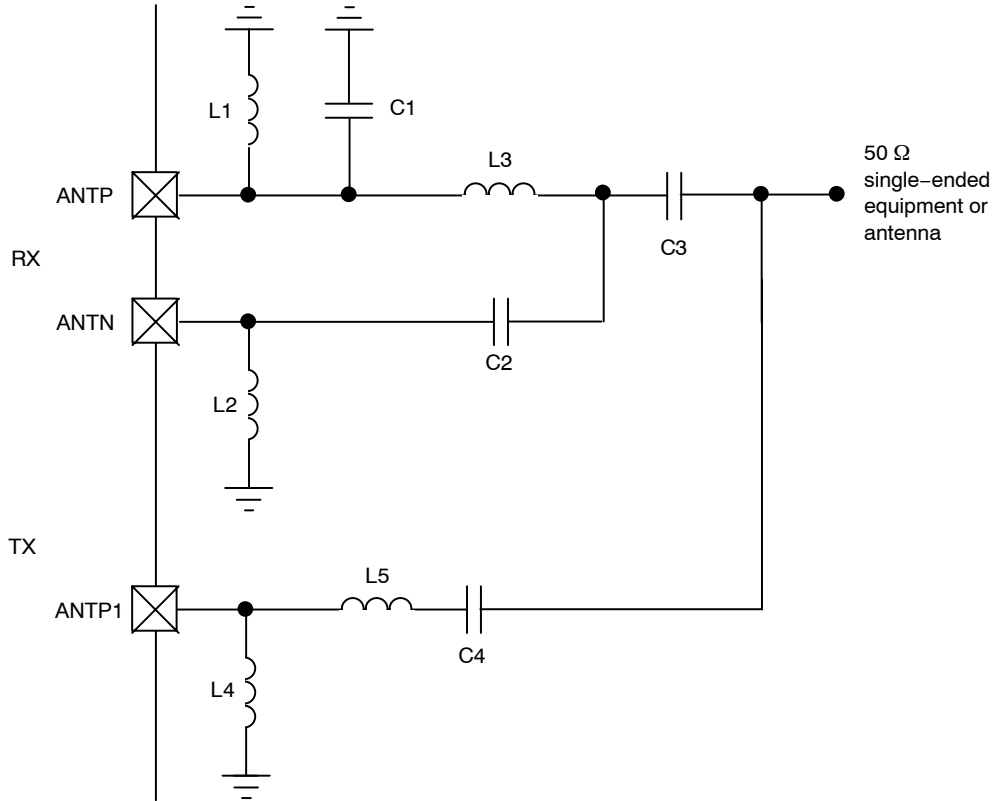


Figure 2. Structure of the Antenna Interface for a Single-ended Antenna and Single-ended Internal PA, without RX/TX Switch

Table 2. COMPONENT VALUES

Frequency Band	L1 [nH]	L2 [nH]	L3 [nH]	L4 [nH]	L5 [nH]	C1 [pF]	C2 [pF]	C3 [pF]	C4 [pF]
868 MHz	18	7.2	12	12	27	2.7	2.7	10	2.7

Software Configuration

For software setup AX-RadioLab for AX5043 V2.2 is used. Table 3 gives the register values that were changed vs. the RadioLab generated configuration.

It is recommended to use FSK as modulation, not GFSK, as the shaping logic for the GFSK output consumes

additional current and ETSI EN 300 220-1 V2.4.1 (2012-05) wide band regulatory requirements can easily be met with FSK.

Table 3. REGISTER SETTINGS

Register	Register Address	Parameter	Value TX	Value RX
AX5043_TXPWRCOEFFB1	0x16A	Output Power	0x02	
AX5043_TXPWRCOEFFB0	0x16B		0x80	
AX5043_F11	0xF11	XTAL config.	0x84	
AX5043_POWCTRL1	0xF08	VDD_ANA	0x02	0x03
AX5043_POWCTRL0	0xF09	VDD_MODEM	0x01	


AND9312/D

Performance

Table 4. PERFORMANCE

Measurement equipment TX	0.5 m RG–58 cable from SMA to R&S FSEB spectrum analyzer (Note 1)
Measurement equipment RX	Pair of AX5043 modules with variable attenuation chain and shielding box
Mainboard and debug adapter	DVK–2b
Carrier Frequency	868.3 MHz
Bit rate	50 kbps
Modulation	FSK
FSK deviation $(f_{\text{mark}} - f_{\text{space}})/2$	H = 0.667, 16.667 kHz
IDD for TX $P_{\text{out}} = 0$ dBm random data	7.8 mA (Note 2)
IDD for RX	9.5 mA
VDD_IO range with $P_{\text{out}} = 0$ dBm	1.6 V – 3.6 V
RX sensitivity Input sensitivity at PER = 1% for 868 MHz operation, 144 bit packet data, without FEC	–105 dBm (Note 3)
ETSI EN 300 220–1 V2.4.1 (2012–05)	TX : wide band operation 868.0 – 868.6 pass RX : class 2 or 3

- 0 dBm is the spectrum analyzer reading. Cable losses are not compensated
- Without RX/TX combination $P_{\text{out}} = 0$ dBm is achieved with 300 μ A less current with the same TX network
- Without RX/TX combination the sensitivity is 3 dB better

ON Semiconductor and  are trademarks of Semiconductor Components Industries, LLC dba ON Semiconductor or its subsidiaries in the United States and/or other countries. ON Semiconductor owns the rights to a number of patents, trademarks, copyrights, trade secrets, and other intellectual property. A listing of ON Semiconductor's product/patent coverage may be accessed at www.onsemi.com/site/pdf/Patent-Marking.pdf. ON Semiconductor reserves the right to make changes without further notice to any products herein. ON Semiconductor makes no warranty, representation or guarantee regarding the suitability of its products for any particular purpose, nor does ON Semiconductor assume any liability arising out of the application or use of any product or circuit, and specifically disclaims any and all liability, including without limitation special, consequential or incidental damages. Buyer is responsible for its products and applications using ON Semiconductor products, including compliance with all laws, regulations and safety requirements or standards, regardless of any support or applications information provided by ON Semiconductor. "Typical" parameters which may be provided in ON Semiconductor data sheets and/or specifications can and do vary in different applications and actual performance may vary over time. All operating parameters, including "Typicals" must be validated for each customer application by customer's technical experts. ON Semiconductor does not convey any license under its patent rights nor the rights of others. ON Semiconductor products are not designed, intended, or authorized for use as a critical component in life support systems or any FDA Class 3 medical devices or medical devices with a same or similar classification in a foreign jurisdiction or any devices intended for implantation in the human body. Should Buyer purchase or use ON Semiconductor products for any such unintended or unauthorized application, Buyer shall indemnify and hold ON Semiconductor and its officers, employees, subsidiaries, affiliates, and distributors harmless against all claims, costs, damages, and expenses, and reasonable attorney fees arising out of, directly or indirectly, any claim of personal injury or death associated with such unintended or unauthorized use, even if such claim alleges that ON Semiconductor was negligent regarding the design or manufacture of the part. ON Semiconductor is an Equal Opportunity/Affirmative Action Employer. This literature is subject to all applicable copyright laws and is not for resale in any manner.

PUBLICATION ORDERING INFORMATION

LITERATURE FULFILLMENT:

Literature Distribution Center for ON Semiconductor
19521 E. 32nd Pkwy, Aurora, Colorado 80011 USA
Phone: 303-675-2175 or 800-344-3860 Toll Free USA/Canada
Fax: 303-675-2176 or 800-344-3867 Toll Free USA/Canada
Email: orderlit@onsemi.com

N. American Technical Support: 800-282-9855 Toll Free
USA/Canada
Europe, Middle East and Africa Technical Support:
Phone: 421 33 790 2910
Japan Customer Focus Center
Phone: 81-3-5817-1050

ON Semiconductor Website: www.onsemi.com

Order Literature: <http://www.onsemi.com/orderlit>

For additional information, please contact your local Sales Representative