

ON Semiconductor

Is Now

The logo for onsemi, featuring the word "onsemi" in a dark teal, lowercase, sans-serif font. The letter "i" is stylized with a white dot and a teal vertical bar. A small orange triangle is positioned above the top right of the "i". A trademark symbol (TM) is located to the right of the logo.

To learn more about onsemi™, please visit our website at
www.onsemi.com

onsemi and **onsemi** and other names, marks, and brands are registered and/or common law trademarks of Semiconductor Components Industries, LLC dba "**onsemi**" or its affiliates and/or subsidiaries in the United States and/or other countries. **onsemi** owns the rights to a number of patents, trademarks, copyrights, trade secrets, and other intellectual property. A listing of **onsemi** product/patent coverage may be accessed at www.onsemi.com/site/pdf/Patent-Marking.pdf. **onsemi** reserves the right to make changes at any time to any products or information herein, without notice. The information herein is provided "as-is" and **onsemi** makes no warranty, representation or guarantee regarding the accuracy of the information, product features, availability, functionality, or suitability of its products for any particular purpose, nor does **onsemi** assume any liability arising out of the application or use of any product or circuit, and specifically disclaims any and all liability, including without limitation special, consequential or incidental damages. Buyer is responsible for its products and applications using **onsemi** products, including compliance with all laws, regulations and safety requirements or standards, regardless of any support or applications information provided by **onsemi**. "Typical" parameters which may be provided in **onsemi** data sheets and/or specifications can and do vary in different applications and actual performance may vary over time. All operating parameters, including "Typicals" must be validated for each customer application by customer's technical experts. **onsemi** does not convey any license under any of its intellectual property rights nor the rights of others. **onsemi** products are not designed, intended, or authorized for use as a critical component in life support systems or any FDA Class 3 medical devices or medical devices with a same or similar classification in a foreign jurisdiction or any devices intended for implantation in the human body. Should Buyer purchase or use **onsemi** products for any such unintended or unauthorized application, Buyer shall indemnify and hold **onsemi** and its officers, employees, subsidiaries, affiliates, and distributors harmless against all claims, costs, damages, and expenses, and reasonable attorney fees arising out of, directly or indirectly, any claim of personal injury or death associated with such unintended or unauthorized use, even if such claim alleges that **onsemi** was negligent regarding the design or manufacture of the part. **onsemi** is an Equal Opportunity/Affirmative Action Employer. This literature is subject to all applicable copyright laws and is not for resale in any manner. Other names and brands may be claimed as the property of others.

Use of NCP1529 Pspice Model

Prepared by: Gang Chen
ON Semiconductor



ON Semiconductor®

<http://onsemi.com>

APPLICATION NOTE

Overview

The NCP1529 is a synchronous step-down DC-DC converter for portable applications powered by one cell Li-ion or three cell Alkaline/NiCd/NiMH batteries. The device is able to deliver up to 1.0 A on an output voltage range externally adjustable from 0.9 V to 3.9 V. The device also has a built-in 1.7 MHz (nominal) oscillator. Automatic switching PWM/PFM mode offers improved system efficiency.

To provide simulation results and an initial design of system parameters before a real board design in

applications, a Pspice model of the NCP1529 has been developed. There are two typical applications using the NCP1529. Figure 1 shows a typical simulation circuit for a DC-DC application. Figure 2 shows another typical simulation circuit for a LED driver application. This simulation note is to illustrate how to use the NCP1529 Pspice model.

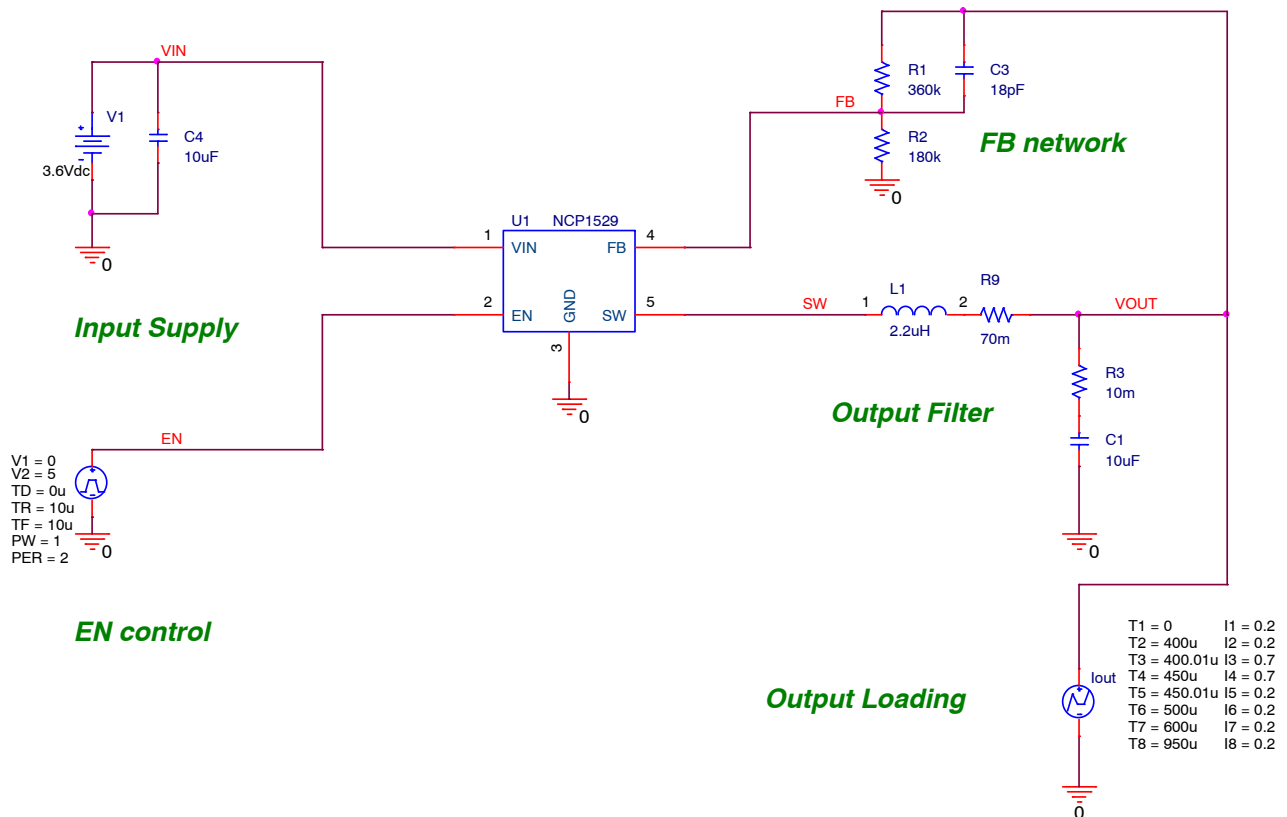


Figure 1. Typical Simulation Circuit of NCP1529 for DC-DC Applications

AND9004/D

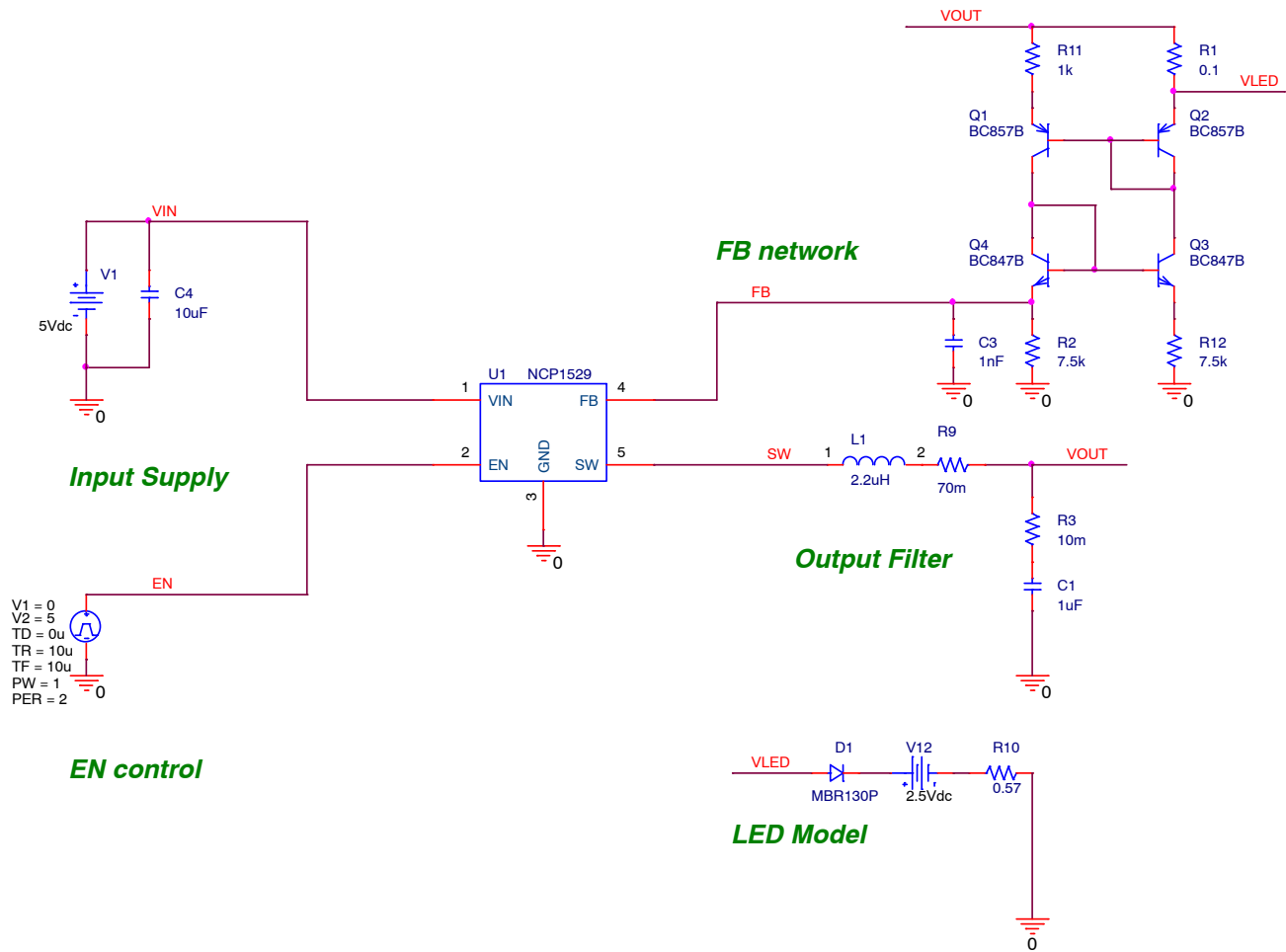


Figure 2. Typical Simulation Circuit of NCP1529 for LED Driver Applications

DETAILED DESCRIPTION

Download Pspice Model

Users can download the NCP1529 Pspice model from ON Semiconductor website, which is a zipped file (NCP1529_PSPICE.ZIP) including one Pspice model lib file (NCP1529_PSPICE.LIB), one schematic symbol olb file (NCP1529_PSPICE.OLB), and two design dsn files (NCP1529_DCDC.DSN and NCP1529_LED.DSN). Save all the extracted files in a folder.

Model Installation and Simulation

1. Create New Project

Users need to run ORCAD Capture or Allegro Design Entry CIS first, and then create a new blank project in Capture as shown in Figure 3.

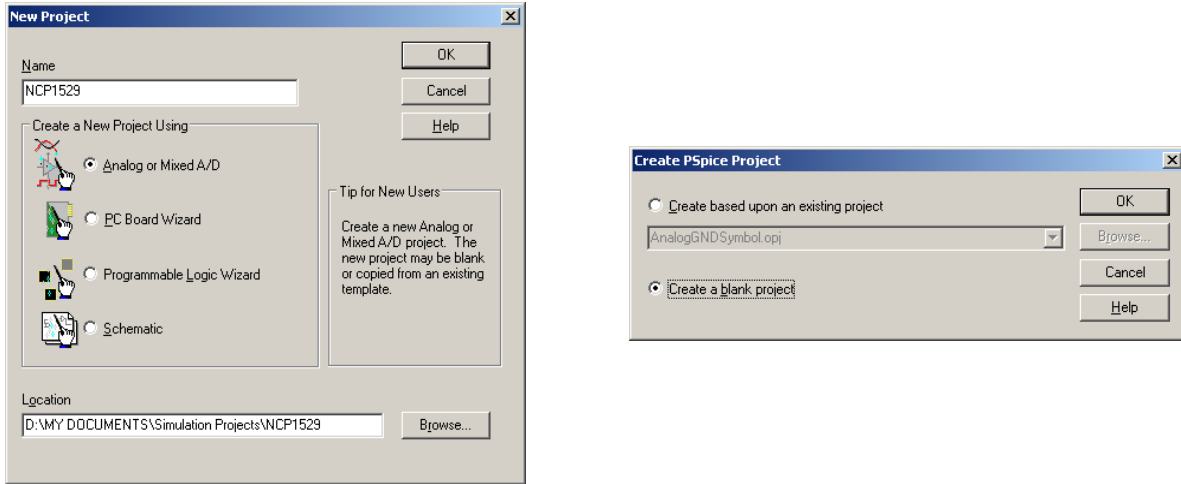


Figure 3. Create New Blank Simulation Project

2. Import Design File

Depending on the application to be simulated, users need to select either the design file “NCP1529_DCDC.DSN” or “NCP1529_LED.DSN” and add it into the Design Resources to replace the blank design.

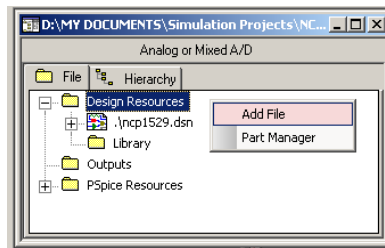


Figure 4. Import Design File into Design Resources

3. Import Symbol File

Add the symbol file “NCP1529_PSPICE.OLB” into the Design Resources as shown in Figure 5.

AND9004/D

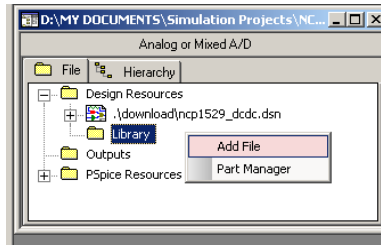


Figure 5. Import Symbol File into Design Resources

4. Open Schematic

Open the schematic in the “Schematic1” under the design file as shown in Figure 6. Users can edit the schematic according to real applications.

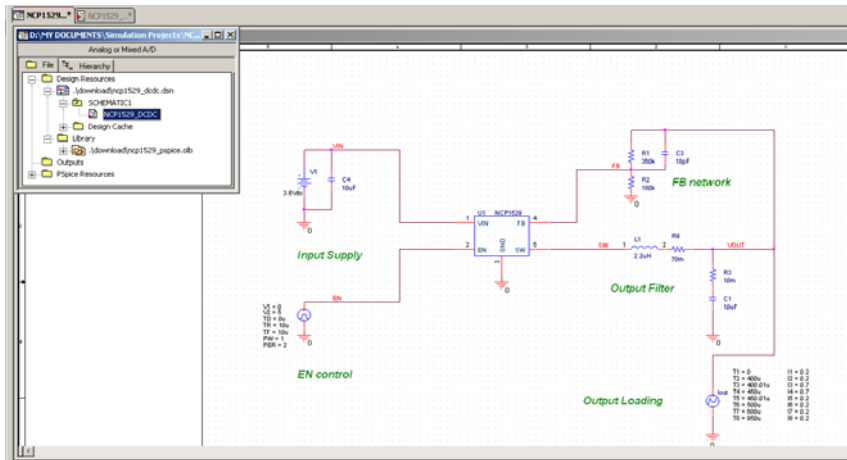


Figure 6. Open Schematic in Design File

5. Create Simulation Profile and Run Simulation

In order to run simulation, a simulation profile has to be created as shown in Figure 7. In the simulation setting of the simulation profile, users need to use browser to add the Pspice lib file “NCP1529_PSPICE.LIB” into the design library of the simulation configuration files, as shown in Figure 8.

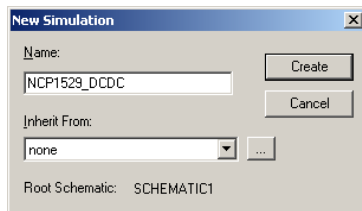


Figure 7. Create a New Simulation Profile

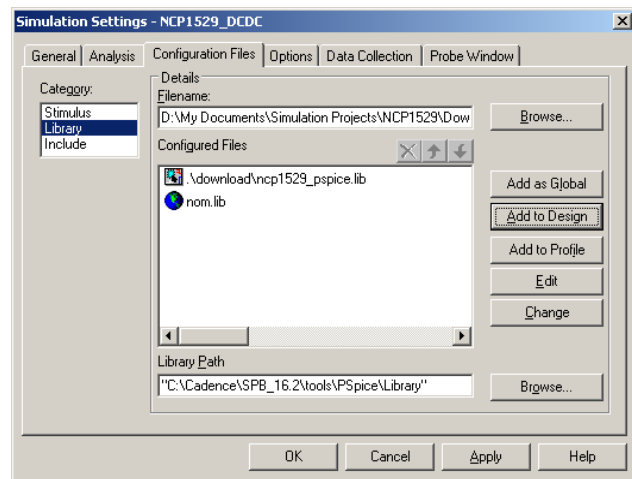


Figure 8. Add Pspice LIB File into Library of Configuration Files

AND9004/D

To reduce simulation time, a 100 μs (instead of 310 μs in the NCP1529 datasheet) internal soft start has been implemented in the model. A typical time-domain simulation profile setting is shown in Figure 9. Users can review simulation waveforms in Pspice A/D after running a simulation.

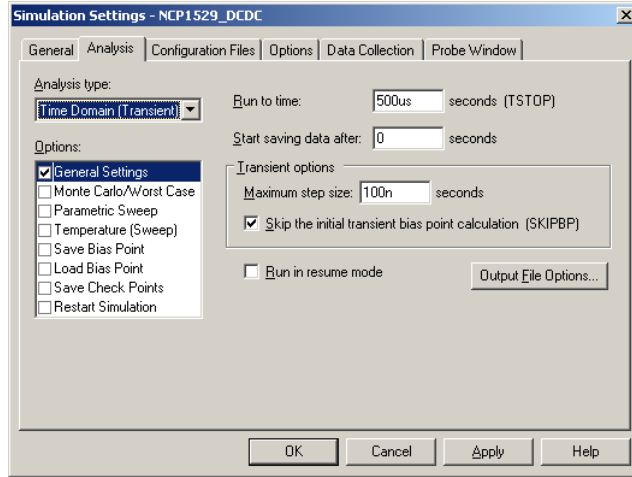


Figure 9. Simulation Setting for a Time Domain Simulation.

5.1 Simulation with DC-DC Application Circuit

Figure 1 shows the schematic included in the design file “NCP1529_DCDC.DSN”, which is a typical simulation circuit for a DC-DC application. To get detail application information, please refer to datasheet “NCP5219-D”. An IPWL current source “I_{out}” is employed to simulate a load current variation in the output of the DC-DC converter. Figure 10 shows an example of the simulation results regarding to a load transient event.

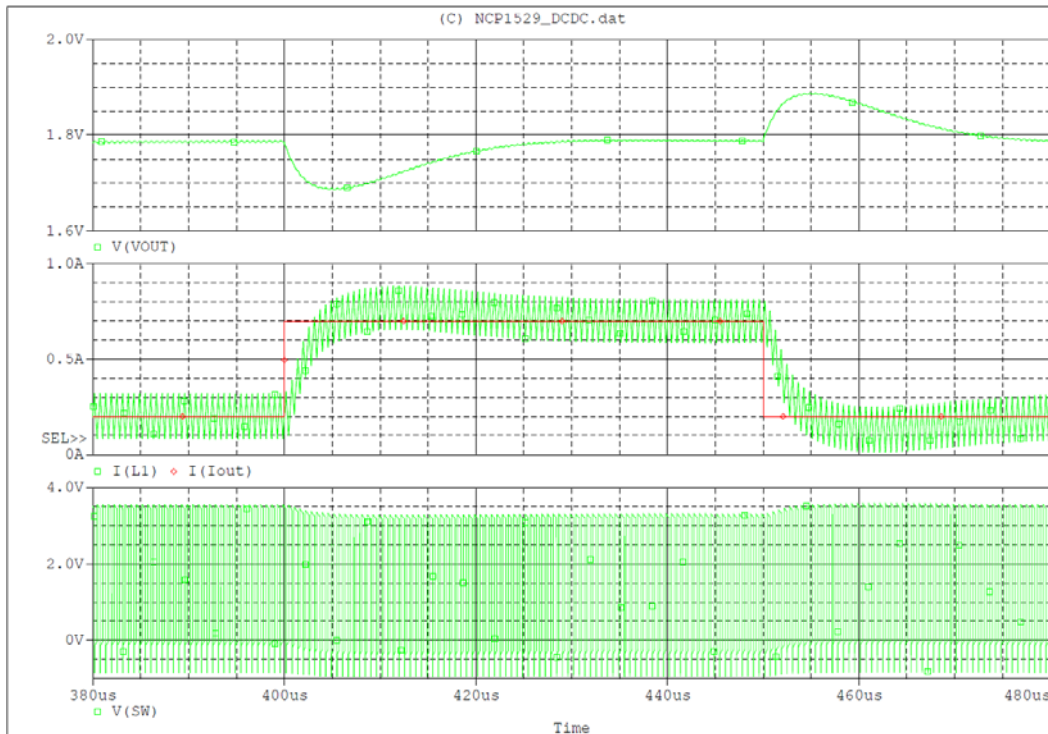


Figure 10. Typical Simulation Results of Time Domain Simulation in DC-DC Application

AND9004/D

5.2 Simulation with LED Application Circuit

Figure 2 shows the schematic included in the design file “NCP1529_LED.DSN”, which is a typical simulation circuit for a LED driver application. The NCP1529 operates with an external current mirror to regulate LED current. To get detail application information, please refer to application note “AND8465/D”. In this simulation circuit, a LED diode is modeled by a circuitry incorporating a diode “D1”, a DC voltage source “V12”, and a resistor “R10”. Figure 11 shows an example of the simulation results regarding to the regulation of the LED current I(D1).

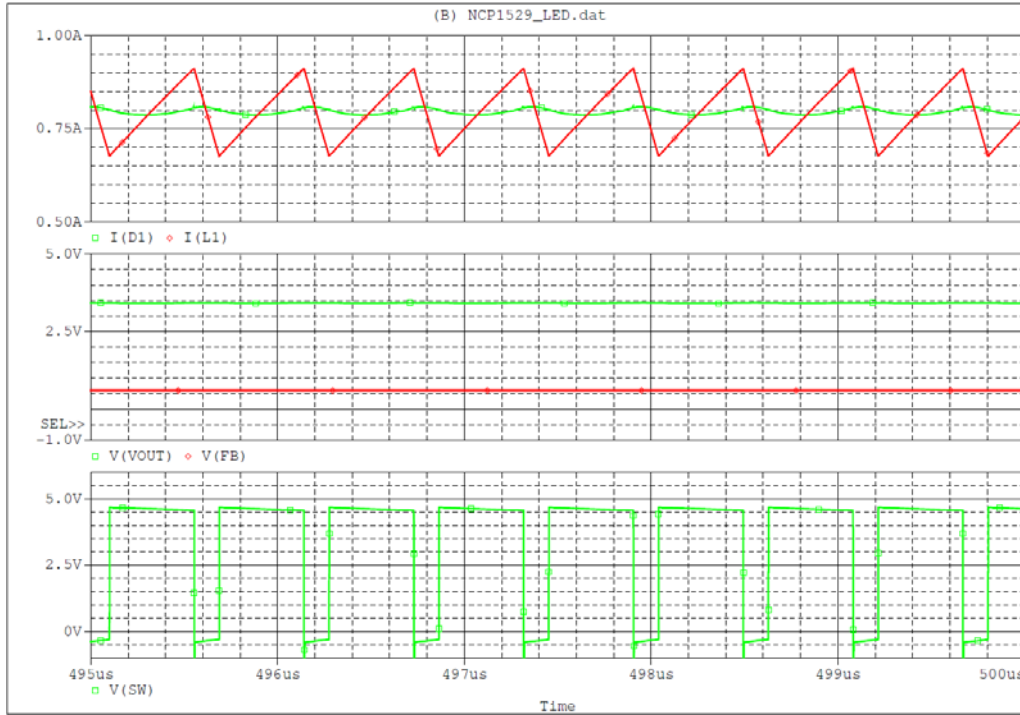



Figure 11. Typical Simulation Results of Time Domain Simulation in LED Application

ON Semiconductor and  are registered trademarks of Semiconductor Components Industries, LLC (SCILLC). SCILLC reserves the right to make changes without further notice to any products herein. SCILLC makes no warranty, representation or guarantee regarding the suitability of its products for any particular purpose, nor does SCILLC assume any liability arising out of the application or use of any product or circuit, and specifically disclaims any and all liability, including without limitation special, consequential or incidental damages. “Typical” parameters which may be provided in SCILLC data sheets and/or specifications can and do vary in different applications and actual performance may vary over time. All operating parameters, including “Typicals” must be validated for each customer application by customer’s technical experts. SCILLC does not convey any license under its patent rights nor the rights of others. SCILLC products are not designed, intended, or authorized for use as components in systems intended for surgical implant into the body, or other applications intended to support or sustain life, or for any other application in which the failure of the SCILLC product could create a situation where personal injury or death may occur. Should Buyer purchase or use SCILLC products for any such unintended or unauthorized application, Buyer shall indemnify and hold SCILLC and its officers, employees, subsidiaries, affiliates, and distributors harmless against all claims, costs, damages, and expenses, and reasonable attorney fees arising out of, directly or indirectly, any claim of personal injury or death associated with such unintended or unauthorized use, even if such claim alleges that SCILLC was negligent regarding the design or manufacture of the part. SCILLC is an Equal Opportunity/Affirmative Action Employer. This literature is subject to all applicable copyright laws and is not for resale in any manner.

PUBLICATION ORDERING INFORMATION

LITERATURE FULFILLMENT:
Literature Distribution Center for ON Semiconductor
P.O. Box 5163, Denver, Colorado 80217 USA
Phone: 303-675-2175 or 800-344-3860 Toll Free USA/Canada
Fax: 303-675-2176 or 800-344-3867 Toll Free USA/Canada
Email: orderlit@onsemi.com

N. American Technical Support: 800-282-9855 Toll Free
USA/Canada
Europe, Middle East and Africa Technical Support:
Phone: 421 33 790 2910
Japan Customer Focus Center
Phone: 81-3-5773-3850

ON Semiconductor Website: www.onsemi.com
Order Literature: <http://www.onsemi.com/orderlit>
For additional information, please contact your local
Sales Representative