



New MiniGate Device Performs Up and Down Translation

Prepared by: Fred Zlotnick
ON Semiconductor
Applications Manager

APPLICATION NOTE

Often a designer encounters a problem requiring voltage translation. The designer will need one translator to go from a lower to higher voltage and a second one to go from a lower voltage to a higher voltage. This note will outline one possible way of accomplishing this goal.

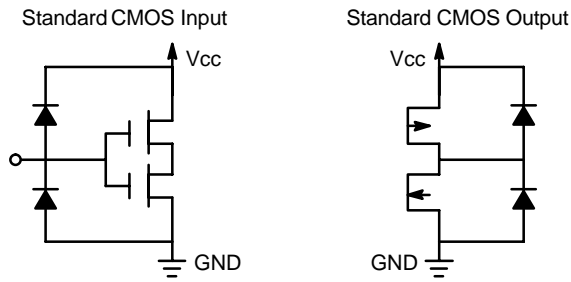


Figure 1.

Why Do We Need to Translate?

Most standard CMOS devices have a circuit similar to Figure 1 for its Input and Output. Most ASICs, Microprocessors, and FPGAs are like Figure 1 and require that the voltage applied not exceed V_{cc} .

Example: A design requires two total translators, one from 2.2 V to 3.3 V and one from 3.3 V to 2.2 V. Space is critical and the data rate is 10 MHz, with a 7 pF load, the output should not be inverted with respect to the input.

Solution: The NL27WZ07DFT2 is a dual noninverting buffer with open drains. Unlike the sketches in Figure 1, the device has no diodes connected to V_{cc} in either the input or output. The I/Os are therefore OVT (Overvoltage Tolerant). This allows us to operate the device at the lower of the two voltages, with no harm, and let the output go to a separate voltage that we pull up to. The output is OVT as well and this allows us to pull up to a higher voltage. Since the data rate is 10 MHz, I have arbitrarily set the maximum delay to 25 ns. The device operating at 2.2 V will introduce about 7 ns, the leaves us 18 ns. Assuming 2.0 time constants, this means τ can be 9.0 ns. If the load C is 7.0 pF, then R can be 1.2 k. This will draw 1.6 mA max, and 0.8 mA per circuit with a 50% duty cycle. If the current draw is too high or the delay is too high, then we will need another solution. The same function is available as a single (NL17SZ07DFT2) and triple (NL37WZ07US).

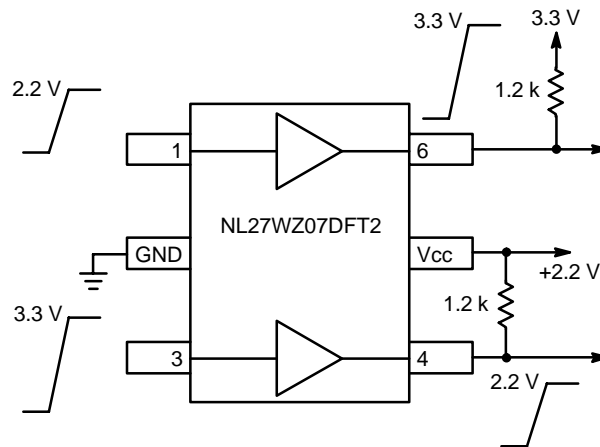



Figure 2. Dual Bi-Level Translators

ON Semiconductor and  are registered trademarks of Semiconductor Components Industries, LLC (SCILLC). SCILLC reserves the right to make changes without further notice to any products herein. SCILLC makes no warranty, representation or guarantee regarding the suitability of its products for any particular purpose, nor does SCILLC assume any liability arising out of the application or use of any product or circuit, and specifically disclaims any and all liability, including without limitation special, consequential or incidental damages. "Typical" parameters which may be provided in SCILLC data sheets and/or specifications can and do vary in different applications and actual performance may vary over time. All operating parameters, including "Typicals" must be validated for each customer application by customer's technical experts. SCILLC does not convey any license under its patent rights nor the rights of others. SCILLC products are not designed, intended, or authorized for use as components in systems intended for surgical implant into the body, or other applications intended to support or sustain life, or for any other application in which the failure of the SCILLC product could create a situation where personal injury or death may occur. Should Buyer purchase or use SCILLC products for any such unintended or unauthorized application, Buyer shall indemnify and hold SCILLC and its officers, employees, subsidiaries, affiliates, and distributors harmless against all claims, costs, damages, and expenses, and reasonable attorney fees arising out of, directly or indirectly, any claim of personal injury or death associated with such unintended or unauthorized use, even if such claim alleges that SCILLC was negligent regarding the design or manufacture of the part. SCILLC is an Equal Opportunity/Affirmative Action Employer.

PUBLICATION ORDERING INFORMATION

Literature Fulfillment:

Literature Distribution Center for ON Semiconductor
P.O. Box 5163, Denver, Colorado 80217 USA
Phone: 303-675-2175 or 800-344-3860 Toll Free USA/Canada
Fax: 303-675-2176 or 800-344-3867 Toll Free USA/Canada
Email: ONlit@hibbertco.com

N. American Technical Support: 800-282-9855 Toll Free USA/Canada

JAPAN: ON Semiconductor, Japan Customer Focus Center
2-9-1 Kamimeguro, Meguro-ku, Tokyo, Japan 153-0051
Phone: 81-3-5773-3850
Email: r14525@onsemi.com

ON Semiconductor Website: <http://onsemi.com>

For additional information, please contact your local Sales Representative.