

ON Semiconductor

Is Now

onsemi™

To learn more about onsemi™, please visit our website at
www.onsemi.com

onsemi and **onsemi** and other names, marks, and brands are registered and/or common law trademarks of Semiconductor Components Industries, LLC dba "**onsemi**" or its affiliates and/or subsidiaries in the United States and/or other countries. **onsemi** owns the rights to a number of patents, trademarks, copyrights, trade secrets, and other intellectual property. A listing of **onsemi** product/patent coverage may be accessed at www.onsemi.com/site/pdf/Patent-Marking.pdf. **onsemi** reserves the right to make changes at any time to any products or information herein, without notice. The information herein is provided "as-is" and **onsemi** makes no warranty, representation or guarantee regarding the accuracy of the information, product features, availability, functionality, or suitability of its products for any particular purpose, nor does **onsemi** assume any liability arising out of the application or use of any product or circuit, and specifically disclaims any and all liability, including without limitation special, consequential or incidental damages. Buyer is responsible for its products and applications using **onsemi** products, including compliance with all laws, regulations and safety requirements or standards, regardless of any support or applications information provided by **onsemi**. "Typical" parameters which may be provided in **onsemi** data sheets and/or specifications can and do vary in different applications and actual performance may vary over time. All operating parameters, including "Typicals" must be validated for each customer application by customer's technical experts. **onsemi** does not convey any license under any of its intellectual property rights nor the rights of others. **onsemi** products are not designed, intended, or authorized for use as a critical component in life support systems or any FDA Class 3 medical devices or medical devices with a same or similar classification in a foreign jurisdiction or any devices intended for implantation in the human body. Should Buyer purchase or use **onsemi** products for any such unintended or unauthorized application, Buyer shall indemnify and hold **onsemi** and its officers, employees, subsidiaries, affiliates, and distributors harmless against all claims, costs, damages, and expenses, and reasonable attorney fees arising out of, directly or indirectly, any claim of personal injury or death associated with such unintended or unauthorized use, even if such claim alleges that **onsemi** was negligent regarding the design or manufacture of the part. **onsemi** is an Equal Opportunity/Affirmative Action Employer. This literature is subject to all applicable copyright laws and is not for resale in any manner. Other names and brands may be claimed as the property of others.



Is Now Part of



ON Semiconductor®

To learn more about ON Semiconductor, please visit our website at
www.onsemi.com

ON Semiconductor and the ON Semiconductor logo are trademarks of Semiconductor Components Industries, LLC dba ON Semiconductor or its subsidiaries in the United States and/or other countries. ON Semiconductor owns the rights to a number of patents, trademarks, copyrights, trade secrets, and other intellectual property. A listing of ON Semiconductor's product/patent coverage may be accessed at www.onsemi.com/site/pdf/Patent-Marking.pdf. ON Semiconductor reserves the right to make changes without further notice to any products herein. ON Semiconductor makes no warranty, representation or guarantee regarding the suitability of its products for any particular purpose, nor does ON Semiconductor assume any liability arising out of the application or use of any product or circuit, and specifically disclaims any and all liability, including without limitation special, consequential or incidental damages. Buyer is responsible for its products and applications using ON Semiconductor products, including compliance with all laws, regulations and safety requirements or standards, regardless of any support or applications information provided by ON Semiconductor. "Typical" parameters which may be provided in ON Semiconductor data sheets and/or specifications can and do vary in different applications and actual performance may vary over time. All operating parameters, including "Typicals" must be validated for each customer application by customer's technical experts. ON Semiconductor does not convey any license under its patent rights nor the rights of others. ON Semiconductor products are not designed, intended, or authorized for use as a critical component in life support systems or any FDA Class 3 medical devices or medical devices with a same or similar classification in a foreign jurisdiction or any devices intended for implantation in the human body. Should Buyer purchase or use ON Semiconductor products for any such unintended or unauthorized application, Buyer shall indemnify and hold ON Semiconductor and its officers, employees, subsidiaries, affiliates, and distributors harmless against all claims, costs, damages, and expenses, and reasonable attorney fees arising out of, directly or indirectly, any claim of personal injury or death associated with such unintended or unauthorized use, even if such claim alleges that ON Semiconductor was negligent regarding the design or manufacture of the part. ON Semiconductor is an Equal Opportunity/Affirmative Action Employer. This literature is subject to all applicable copyright laws and is not for resale in any manner.

Using the Fairchild FST Bus Switch as a 5V to 3V Translator

Introduction

Fairchild FST Bus Switches can be used for bi-directional translators. They can interface 5V components to 3V components with negligible propagation delay ($t_{PD} \leq 250ps$) and minimal power dissipation ($I_{CC} \leq 10\mu A$).

As the number of systems that interface between 5V and 3.3V levels increase, the use of switches for voltage level interfacing has become more widespread.

FST Devices

FST devices produce an output voltage that is a maximum of 1V below V_{CC} . This is due to the inherent design characteristics of the NMOS device used in FST switch products. When the V_{GS} voltage reaches V_{TN} , which is approximately 1V, the NMOS channel closes off. With the channel closed, R_{ON} is increased dramatically and current flow through the device is cut off. The drain, starved of current, cannot exceed a voltage of $V_{CC} - 1V$. Therefore, due to the electrical properties of the device, a 5V switch becomes a 5V-to-4V translator.

With many systems now incorporating both 5V and 3.3V level sections and components, the switch can be configured to translate between these two levels. By dropping the V_{GATE} of the NMOS by 700mV, the Bus Switch output will be reduced to 3.3V maximum. (See Figure 1) This is accomplished with the addition of a diode and resistor stack on the V_{CC} input (see Figure 2)

To preserve the low power design of the switch and to provide optimal operation, select a low current turn on diode with a forward turn on voltage (V_f) of at least 0.7V. A resistor (R) is added from the V_{CC} pin to GND to provide forward turn on current (I_f) for the diode. This is necessary to help the diode maintain a constant voltage drop. The value of R is dependent on the diode characteristics.

By dropping 0.7V down from the 5V power supply, $\approx 4.3V$ will be supplied to the V_{CC} pin of the switch ($5V - 0.7V = 4.3V$). The gate of the switch will therefore be at 4.3V. Coupled with the gate-to-source voltage drop of 1V limits the V_{OUT} to $\approx 3.3V$. This provides an efficient and simple 5V-to-3.3V translator.

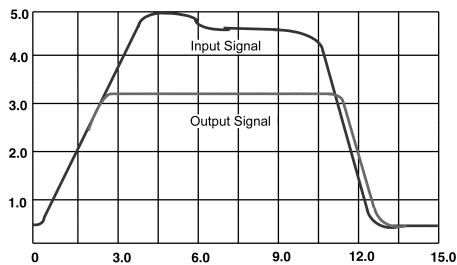


FIGURE 1. Typical NMOS Bus Switch Waveform

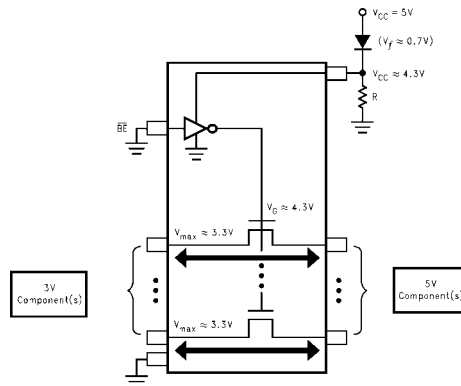


FIGURE 2. Typical 5V to 3V Translation Circuit

FSTD Devices

With the increase in the number of systems that interface between 5V and 3.3V levels, the use of switches for voltage level interfacing is becoming more widespread. Fairchild Semiconductor has recognized this, and has incorporated this feature directly into a sub-family of FST devices named FSTD. (See Figure 3)

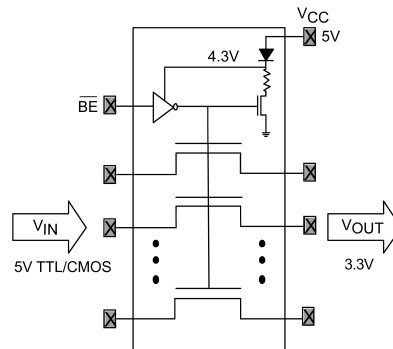


FIGURE 3. Fairchild Semiconductor's FSTD device incorporating the diode translation function and a switch to eliminate current flow during High Impedance mode.

The advantages of a FSTD device over the more traditional design are lower device count, and lower power consumption. FSTD devices incorporate the V_{CC} diode and resistor needed for level shifting internally. In addition, there is a switch network that shuts off the V_{CC} to ground current path created by the diode and resistor when the device is in high impedance mode. This lowers system power consumption, an especially useful feature in battery operated systems.

Special Considerations

Translation from 5V to 3V using Bus Switches is a straightforward process. However there are some special considerations when driving signals from a 3V node through a translating switch to a 5V node.

A Bus Switch configured for translation will give a maximum output voltage level of 3.3V (V_{CC} is still 5V and no clipping occurs at 3.3V)

Due to their behavior, translating Bus Switches are optimal for translating from 3.3V devices to 5V TTL compatible level inputs.

If 5V CMOS level signals are required, the switching threshold margin will be limited by the maximum 3.3V level from the switch output. 5V CMOS thresholds are typically $V_{CC}/2$, giving a threshold margin of 0.8V maximum ($3.3V - 2.5V = 0.8V$).

In some cases, using a pull up resistor to the 5V rail may help achieve a higher margin; for example, a high impedance short point to point 5V node, and a 3V driver with a high output On Resistance (see Figure 4). However, this layout can create a low impedance current path from the 5V rail through the pull up resistor to the 3.3V ground. This path is created when the 3.3V device is on and driving low, as shown in Figure 4.

Summary

Fairchild FST Bus Switches can be used as bi-directional translators. They can interface 5V components to 3V components with negligible propagation delay and minimal power dissipation.

This is accomplished with the addition of a diode and resistor stack on the V_{CC} input or the use of a Fairchild Semiconductor FSTD device. FSTD devices reduce system device count and lower power consumption. Translation is optimized for 5V to 3.3V, and 3.3V to 5V-TTL levels.

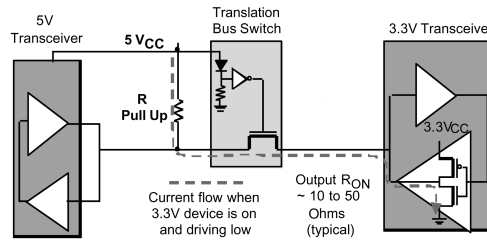


FIGURE 4. CMOS 5V to 3.3V translation using a pull up resistor, showing the current paths through the 3.3V device ground rail this design creates.

Excessive current flow can cause circuit damage. Therefore, the resistance values of all components in this path must be taken into consideration to insure that current flow is not above levels that will damage the system.

Another possible option is the use of a Schottky diode on the Bus Switch V_{CC} , in place of the more standard 0.7V diode. This will give a switch output level to $\approx 3.6V$, and increases the threshold margin to 1.1V. In this case, devices on the 3V node would need Over Voltage Tolerance or at least be specified for 3.6V on inputs and outputs. As can be seen, using Bus Switches as 3V to 5V CMOS translation requires careful consideration.

Fairchild does not assume any responsibility for use of any circuitry described, no circuit patent licenses are implied and Fairchild reserves the right at any time without notice to change said circuitry and specifications.

LIFE SUPPORT POLICY

FAIRCHILD'S PRODUCTS ARE NOT AUTHORIZED FOR USE AS CRITICAL COMPONENTS IN LIFE SUPPORT DEVICES OR SYSTEMS WITHOUT THE EXPRESS WRITTEN APPROVAL OF THE PRESIDENT OF FAIRCHILD SEMICONDUCTOR CORPORATION. As used herein:

1. Life support devices or systems are devices or systems which, (a) are intended for surgical implant into the body, or (b) support or sustain life, and (c) whose failure to perform when properly used in accordance with instructions for use provided in the labeling, can be reasonably expected to result in a significant injury to the user.
2. A critical component in any component of a life support device or system whose failure to perform can be reasonably expected to cause the failure of the life support device or system, or to affect its safety or effectiveness.

www.fairchildsemi.com

ON Semiconductor and  are trademarks of Semiconductor Components Industries, LLC dba ON Semiconductor or its subsidiaries in the United States and/or other countries. ON Semiconductor owns the rights to a number of patents, trademarks, copyrights, trade secrets, and other intellectual property. A listing of ON Semiconductor's product/patent coverage may be accessed at www.onsemi.com/site/pdf/Patent-Marking.pdf. ON Semiconductor reserves the right to make changes without further notice to any products herein. ON Semiconductor makes no warranty, representation or guarantee regarding the suitability of its products for any particular purpose, nor does ON Semiconductor assume any liability arising out of the application or use of any product or circuit, and specifically disclaims any and all liability, including without limitation special, consequential or incidental damages. Buyer is responsible for its products and applications using ON Semiconductor products, including compliance with all laws, regulations and safety requirements or standards, regardless of any support or applications information provided by ON Semiconductor. "Typical" parameters which may be provided in ON Semiconductor data sheets and/or specifications can and do vary in different applications and actual performance may vary over time. All operating parameters, including "Typicals" must be validated for each customer application by customer's technical experts. ON Semiconductor does not convey any license under its patent rights nor the rights of others. ON Semiconductor products are not designed, intended, or authorized for use as a critical component in life support systems or any FDA Class 3 medical devices or medical devices with a same or similar classification in a foreign jurisdiction or any devices intended for implantation in the human body. Should Buyer purchase or use ON Semiconductor products for any such unintended or unauthorized application, Buyer shall indemnify and hold ON Semiconductor and its officers, employees, subsidiaries, affiliates, and distributors harmless against all claims, costs, damages, and expenses, and reasonable attorney fees arising out of, directly or indirectly, any claim of personal injury or death associated with such unintended or unauthorized use, even if such claim alleges that ON Semiconductor was negligent regarding the design or manufacture of the part. ON Semiconductor is an Equal Opportunity/Affirmative Action Employer. This literature is subject to all applicable copyright laws and is not for resale in any manner.

PUBLICATION ORDERING INFORMATION

LITERATURE FULFILLMENT:

Literature Distribution Center for ON Semiconductor
19521 E. 32nd Pkwy, Aurora, Colorado 80011 USA
Phone: 303-675-2175 or 800-344-3860 Toll Free USA/Canada
Fax: 303-675-2176 or 800-344-3867 Toll Free USA/Canada
Email: orderlit@onsemi.com

N. American Technical Support: 800-282-9855 Toll Free
USA/Canada
Europe, Middle East and Africa Technical Support:
Phone: 421 33 790 2910
Japan Customer Focus Center
Phone: 81-3-5817-1050

ON Semiconductor Website: www.onsemi.com
Order Literature: <http://www.onsemi.com/orderlit>
For additional information, please contact your local
Sales Representative